

FOOTPRINT DRAWING

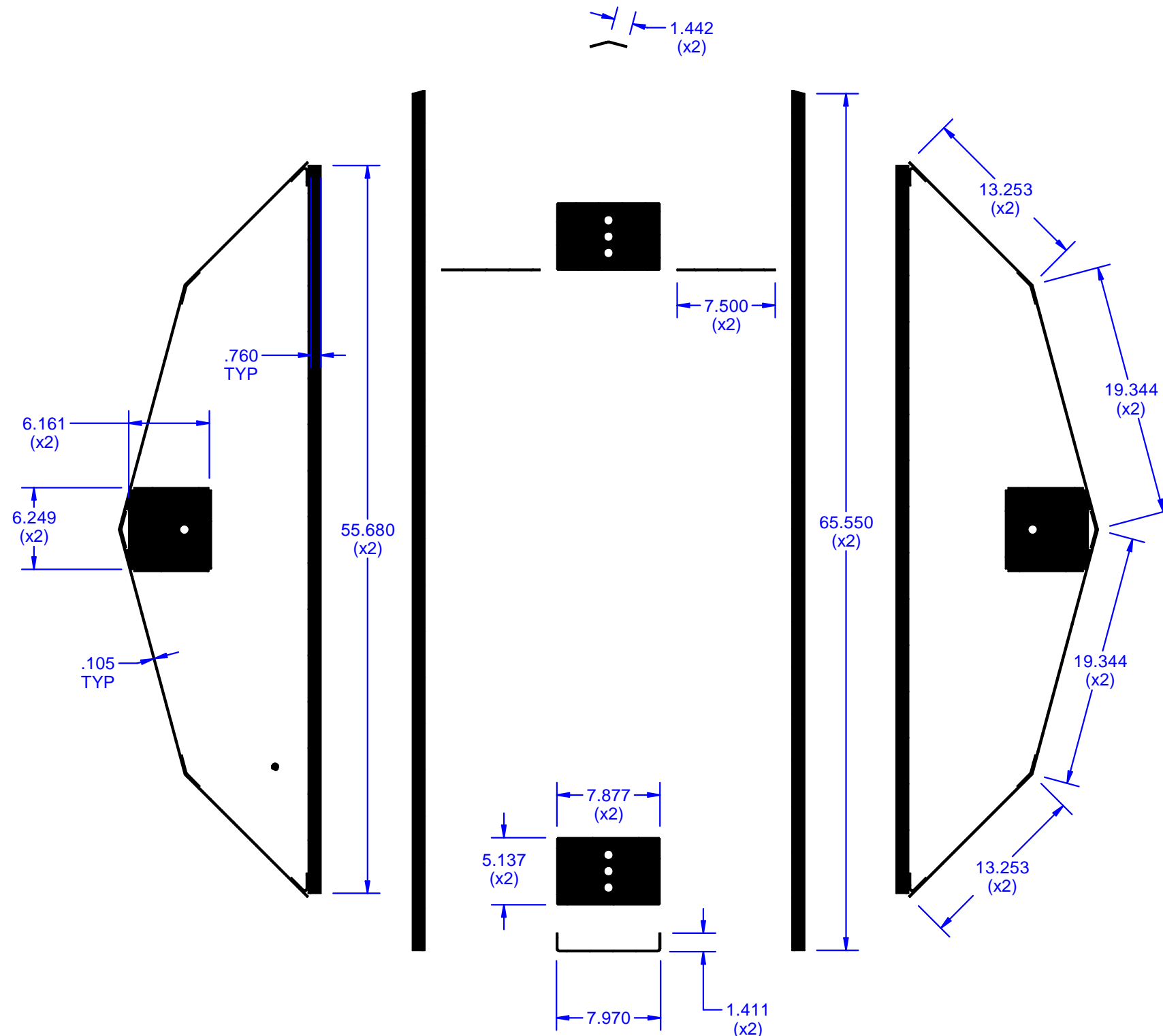
SHIPPING WEIGHT - 3200 LBS

BASE PADS (4)
157.9 Sq Inches
20.26 lbs per Sq Inch

1.096 Sq Feet
2917.44 lbs per Sq Ft

BASE PADS (4)
and all other contact points
358.4 Sq Inches
8.93 lbs per Sq Inch

2.488 Sq Ft
1285.92 lbs per Sq Ft



SECTION A-A

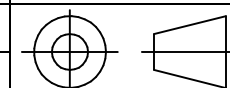
CREATED BY: MATTG
DATE: 3/5/2025
PROJECT: 5784
ENGR CHECK
MFG CHECK

UNLESS OTHERWISE SPECIFIED
DIMENSIONS ARE IN INCHES
TOLERANCES:
DECIMAL: ± 0.030
ANGULAR: ± 2°
HOLES/SLOTS Ø/R : ± 0.005
FRACTIONAL: ± 1/32

WOOD STONE
WOOD STONE CORPORATION
1801 W. BAKERVIEW RD. BELLINGHAM, WA 98226
360.650.1111 - WOODSTONE-CORP.COM

ONEREV
RELEASE 2 NG DRESSED ASSEMBLY

MATL: **ERROR: NO REFERENCE**
FINISH: N/A



SCALE: NTS
SHEET: **1 OF 1**

SIZE B	PART NO. 001-507880-01	REV 901
------------------	----------------------------------	-------------------

THE INFORMATION CONTAINED IN THIS DRAWING IS THE SOLE PROPERTY OF WOOD STONE CORPORATION.
ANY REPRODUCTION OR USE IN PART OR AS A WHOLE WITHOUT EXPRESS WRITTEN PERMISSION OF WOOD STONE CORP. IS PROHIBITED.