



WS-ERV model with standard arch shown.

ONE REV ELECTRIC ROTATING OVEN



Job Name	
Model	WS-ERV
Item#	

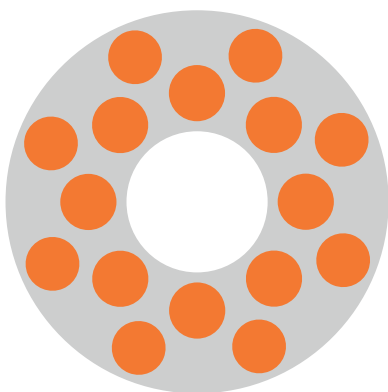
The Electric OneRev oven features an arched door opening 29.5 inches wide by 6.75 inches high. The oven floor has a 15.3-square-foot cooking surface. Wood Stone's new Responsive Cooking Surface features a metal core with a proprietary ceramic coating. The ER oven has set and forget controls that allow you to choose from 90 sec to 6 minutes one rotation cooking, with individual controls for top and bottom heat. It comes standard with a stainless-steel debris management mantel, and the double-layered insulated walls require only a 1-inch side clearance to combustibles. The oven arrives completely assembled, ETL Listed, ready to install, and is made in the USA by employee-owners.

FUEL CONFIGURATIONS

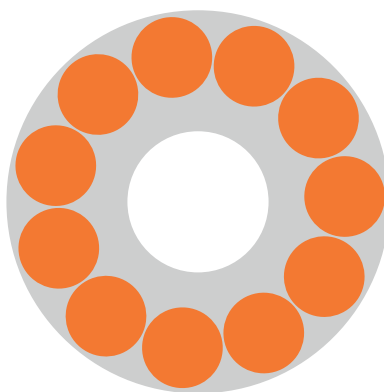
ELECTRIC ONLY

HEARTH CAPACITY

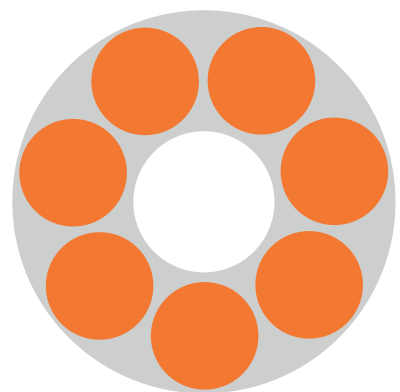
8" pizzas:	16
12" pizzas:	11
16" pizzas:	7



16 - 8"



11 - 12"



7 - 16"

Assuming 3.5-minute cook times, the approximate maximum hourly production capacity can be calculated by multiplying the above numbers by 17. Cook times will also vary depending on "style" of pizza.

t. 360.650.1111
tf. 800.988.8103
f. 360.650.1166

Wood Stone Corporation
1801 W. Bakerview Rd.
Bellingham, WA 98226 USA
info@woodstone-corp.com
woodstone-corp.com

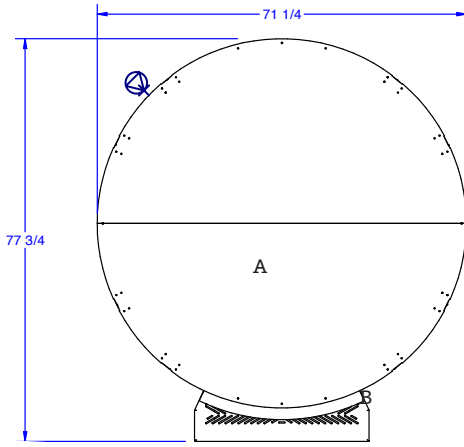
REVISED: WINTER 2024

An ongoing program of product improvement may require us to change specifications without notice.

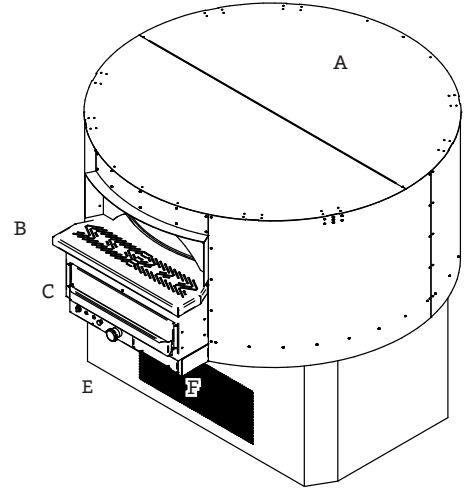


ONE REV
ELECTRIC ROTATING OVEN • WS-ERV

PLAN VIEW



THREE-QUARTER VIEW

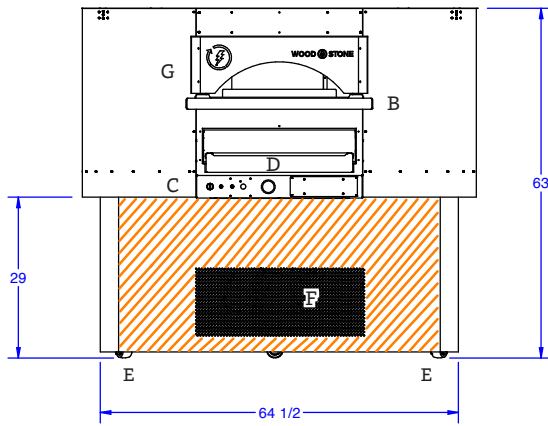


A	Flue Collar
B	Mantel
C	Control Panel
D	Function Switch
E	Forklift Here
	Electrical Connection
F	Service Panel
G	Arch

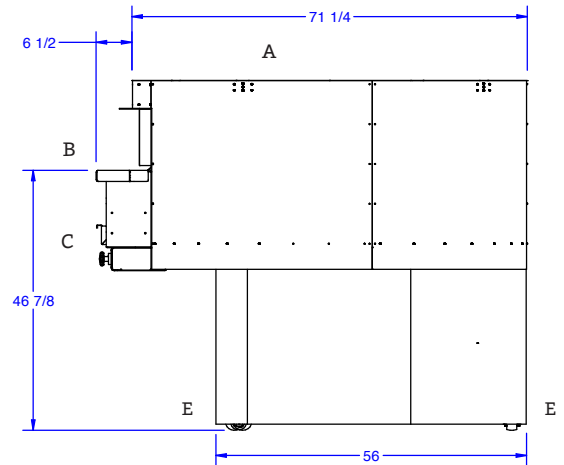
Must Be Left Removable for Service

AIR INTAKE:
Do Not Facade or Cover Over

FRONT VIEW



SIDE VIEW



UTILITIES SPECIFICATIONS

ELECTRICAL
208 VAC 3P 30 kW

VENTING INFORMATION

Vented using a suitable chimney or placed under an exhaust hood in accordance with applicable local and national codes.

REVISED: WINTER 2024

An ongoing program of product improvement may require us to change specifications without notice.

