



Job Name	
Model	WS-ERC-60
Item#	



WS-ERC-60 model shown.

### FEATURES

- Cooks Rice & Grains in Convenient 1/3 Pans
- Consistent Quality Cook After Cook
- Cooks up to Three 1/3 Pans Independently for Flexibility
- Cooks Both Brown and White Rice at the Same Time
- High Volume Production: will provide 60 cups of cooked white rice in 33 minutes

The rice cooker is an operationally efficient electric appliance. Each 1/3 pan will produce 20 cups of cooked rice. The estimated cook time for white rice is 33 minutes. Cook times can vary depending on the exact type of rice, altitude, and individual preferences. The control system provides adjustments to customize the cooking characteristics to meet your requirements.

The WS-ERC-60 model shares the same size and footprint as the gas-fired WS-GRC-60 model. The easy-to-use controls also remain unchanged. The exterior and cooking zones are made from stainless steel for long life and durability. The rice cooker is designed and built by Wood Stone to provide many years of high-quality, consistent rice production.



t. 360.650.1111  
tf. 800.988.8103  
f. 360.650.1166

Wood Stone Corporation  
1801 W. Bakerview Rd.  
Bellingham, WA 98226 USA  
[info@woodstone-corp.com](mailto:info@woodstone-corp.com)  
[woodstone-corp.com](http://woodstone-corp.com)

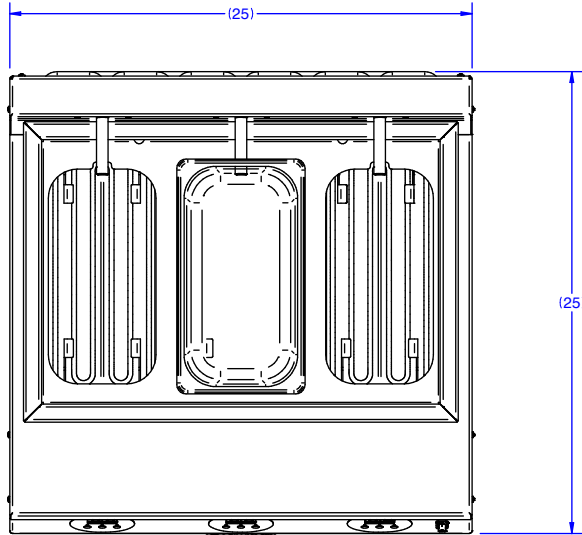
REVISED: WINTER 2025

An ongoing program of product improvement may require us to change specifications without notice.

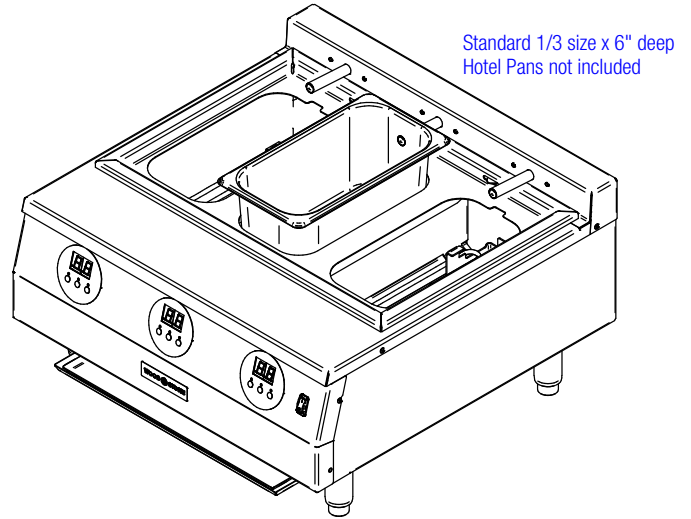


RICE COOKER  
ELECTRIC  
208 V MODEL

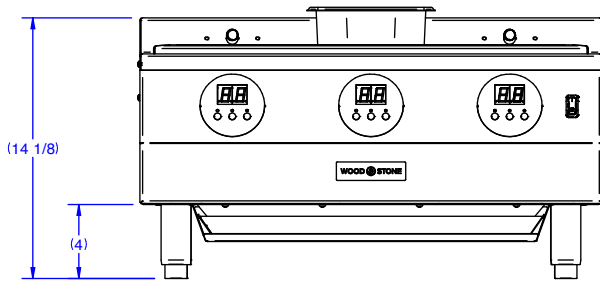
PLAN VIEW  
With Pans Removed



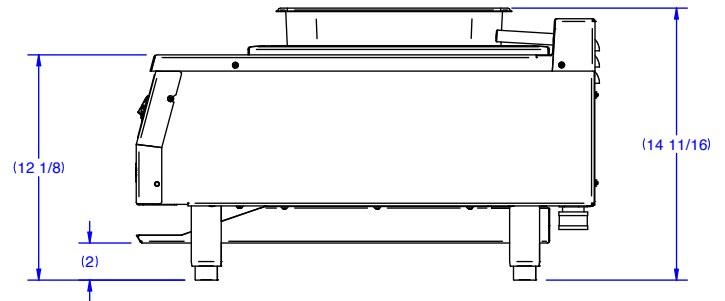
ISO VIEW



FRONT VIEW



SIDE VIEW



**Unit weight: 77 lbs**

UTILITIES SPECIFICATIONS

208 VAC, 39A, 50/60Hz, 1 Phase

Equipped with a NEMA 6-50P plug for use with a 208 VAC, 50 A outlet



VENTING INFORMATION

The Wood Stone Rice Cooker must be vented in accordance with all relevant local and national codes, and in a manner acceptable to the authority having jurisdiction.



t. 360.650.1111  
tf. 800.988.8103  
f. 360.650.1166

Wood Stone Corporation  
1801 W. Bakerview Rd.  
Bellingham, WA 98226 USA  
[info@woodstone-corp.com](mailto:info@woodstone-corp.com)  
[woodstone-corp.com](http://woodstone-corp.com)

REVISED: WINTER 2025

An ongoing program of product improvement may require us to change specifications without notice.

