

OneRev Lifting Instructions

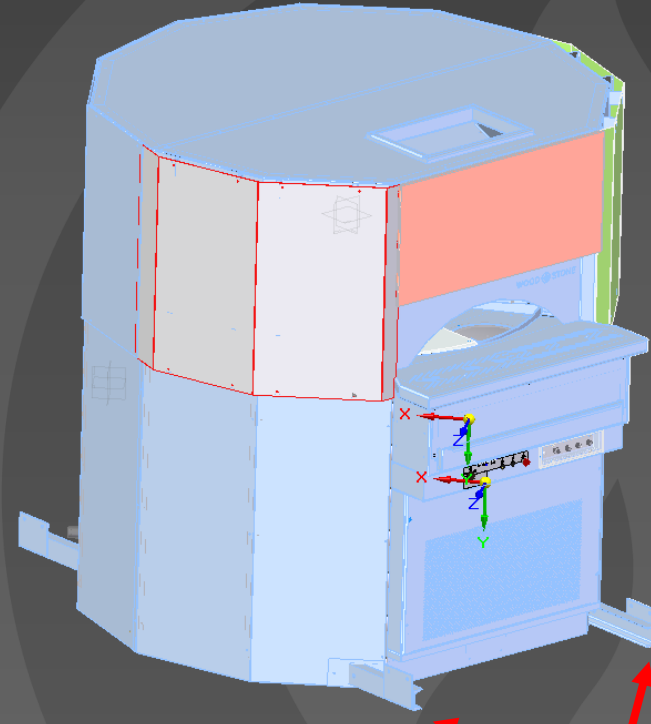
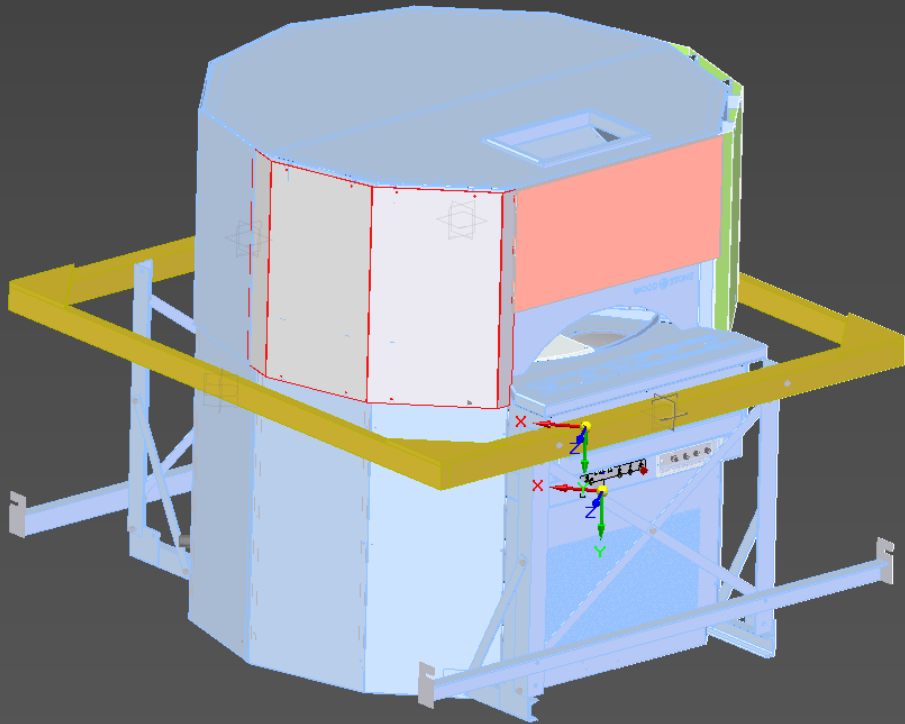
Rev 0

Release Date: 3/6/2024



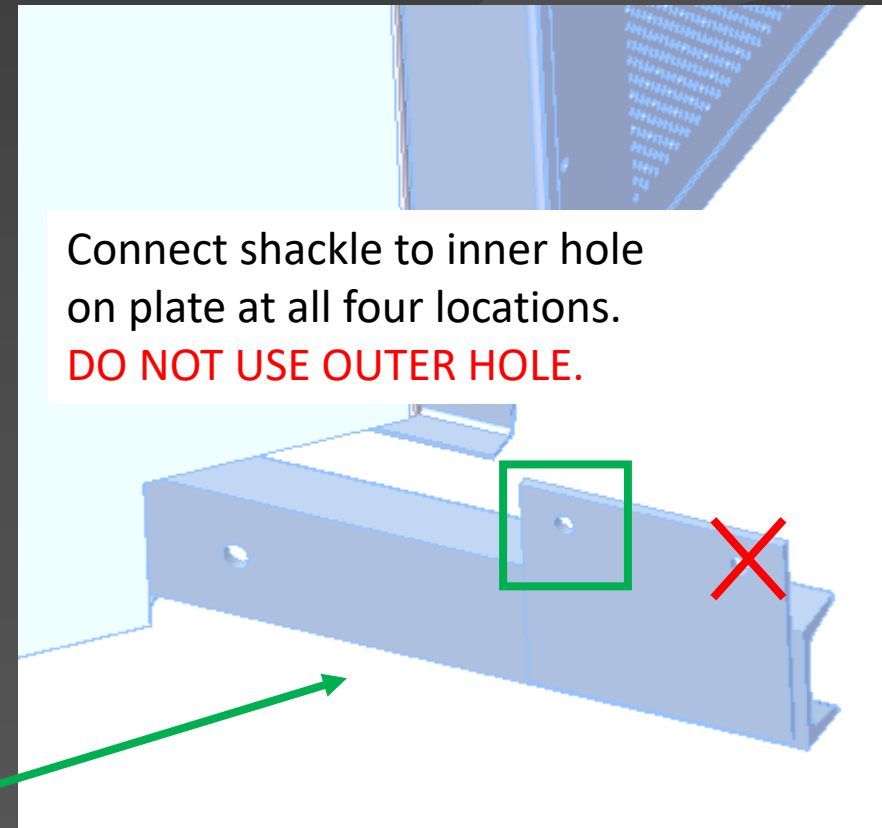
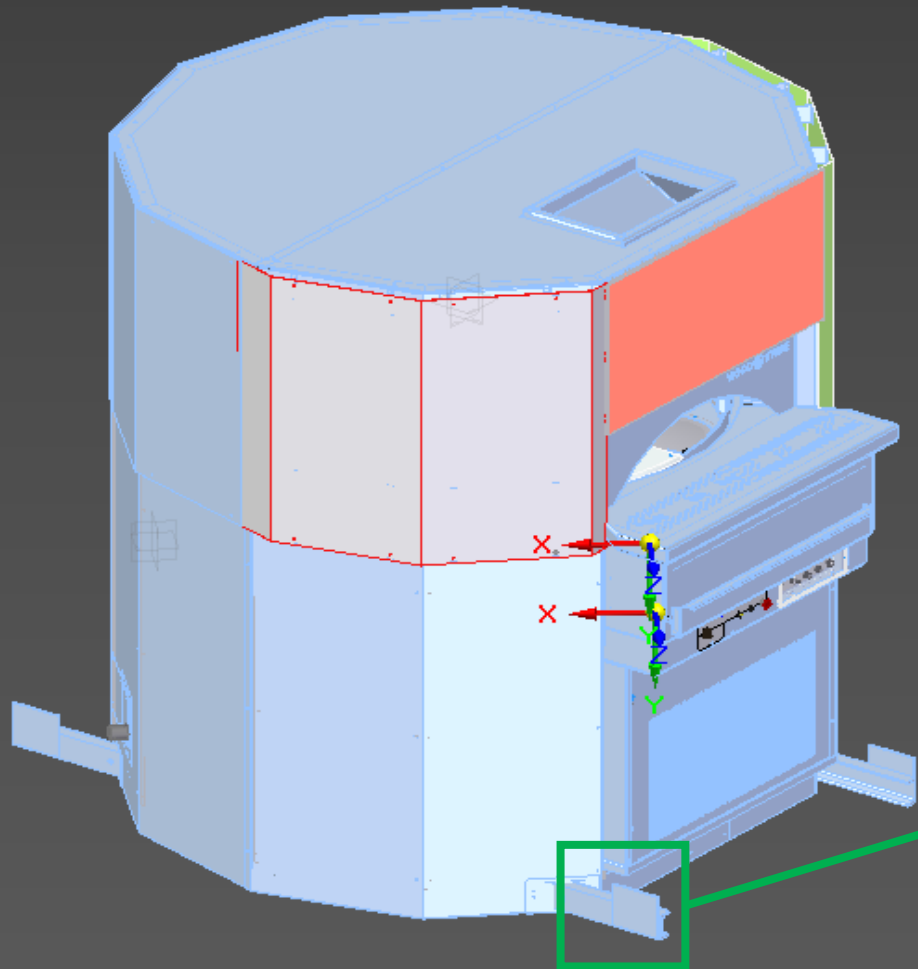
Each OneRev oven comes delivered with a steel and wood shipping frame.

Step 1: It is recommended to remove protective steel and wood frame after lifting is complete. If extra clearance is needed, protective shipping frame can be removed. **DO NOT REMOVE SHIPPING CHANNELS UNTIL ALL LIFTING OPERATIONS ARE COMPLETE.**



Shipping Channels

Step 2: Lifting of oven should be done via the four connection points per below. Use shackles with a $\varnothing 7/16''$ pin to connect into the shipping channels.



Lift oven evenly via four connection points. Once all lifting operations are complete, remove shipping channels. Further movement can be done with forklift or pallet jack per instructions in installation manual.

