

Installation & Operation Manual



ONEREV

Specialty Oven

Gas-Fired, Rotating Deck Model

ONEREV WS-RV-7880

WOOD  STONE

WOOD STONE CORPORATION

1801 W. Bakerview Rd.
Bellingham, WA 98226 USA

Toll Free 800.988.8103

Tel 360.650.1111

Fax 360.650.1166



TABLE OF CONTENTS

The OneRev Oven	3	Wire Diagrams	
Cautions & Warnings	4	Power In Wiring	18
Specifications	5	Electrical Layout.	19
Installation Clearances	6	Valve Wiring.	20
Venting	8	Electrical Components	21
Gas Specifications	9	A1 - Front Panel Assembly	22
Oven Setup	10	A2 - Control Panel Assembly.	23
Utility Connections	12	A3 - Power Panel Assembly	24
Setting Exhaust Fan Speed	13	Panel Board.	25
Control Panels	14	Limited Warranty.	26
Daily Oven Operation	15		
Maintenance	16		
Sequence of Operations	17		



**INSTALLATION & OPERATION MANUAL FOR THE
WOOD STONE ONEREV OVEN**

RADIANT FLAME COOKING EQUIPMENT

WS-RV-7880

GAS-FIRED MODEL

ADDITIONAL COPIES AVAILABLE UPON REQUEST

**WOOD STONE WS-RV INSTALLATION AND OPERATING INSTRUCTIONS****RETAIN THIS MANUAL FOR FUTURE REFERENCE**

Additional copies of this manual and prompt responses to service/maintenance questions are available from Wood Stone @ 1-800-988-8103.

READ ALL INSTRUCTIONS BEFORE INSTALLING AND USING THIS APPLIANCE

Please read this entire manual before you install the oven. Failure to follow instructions may result in property damage, bodily injury or even death. Contact your local building or fire officials about restrictions and installation inspection in your area.

FOR YOUR SAFETY: Consult your local gas supplier for a statement outlining a procedure to be followed in the event you smell gas. Post the statement in a prominent location.

FOR YOUR SAFETY: Do not store or use gasoline or other flammable vapors or liquids in the vicinity of this or any other appliance.

ESURE DE SÉCURITÉ: Ne pas entreposer ni utiliser de essence ni autres vapeurs ou liquides inflammables à proximité de cet appareil ou de tout autre appareil.

WARNING: Improper installation, adjustment, alteration, service or maintenance can cause property damage, injury or death. Read the installation, operation and maintenance instructions thoroughly before installing or servicing this equipment.

AVERTISSEMENT: L'installation, le réglage, la modification, la réparation ou l'entretien incorrect de cet appareil peut causer des dommages matériels, des blessures ou la mort. Lire attentivement les instructions d'installation, de fonctionnement et d'entretien avant de procéder à son installation ou entretien.

Always keep the area under and around this appliance free and clear of any and all combustible materials.

IF THIS OVEN IS NOT PROPERLY INSTALLED A FIRE MAY RESULT. TO REDUCE THE RISK OF FIRE, FOLLOW THESE INSTALLATION INSTRUCTIONS. A MAJOR CAUSE OF OVEN RELATED FIRES IS FAILURE TO MAINTAIN REQUIRED CLEARANCES (AIR SPACES) TO COMBUSTIBLE MATERIALS. IT IS OF UTMOST IMPORTANCE THAT THIS OVEN BE INSTALLED ONLY IN ACCORDANCE WITH THESE INSTRUCTIONS.

WARNING: In the event of a power failure, no attempt should be made to operate this appliance. Disconnect power to the oven before servicing or cleaning.

This product must be installed by a licensed plumber or gas fitter when installed within the Commonwealth of Massachusetts.

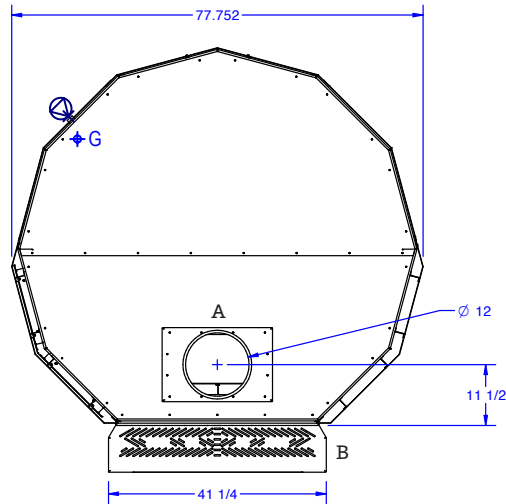
SAVE THE INSTRUCTIONS

Wood Stone's OneRev ovens have been tested and approved by Intertek Testing Services, and are ETL Listed to ANSI Z83.11:2016, (R2021) CSA1.8:2016 (R2021), CSA 2.17 : 2017 Ed. 4 and to NSF/ANSI Standard 4 - 2020.

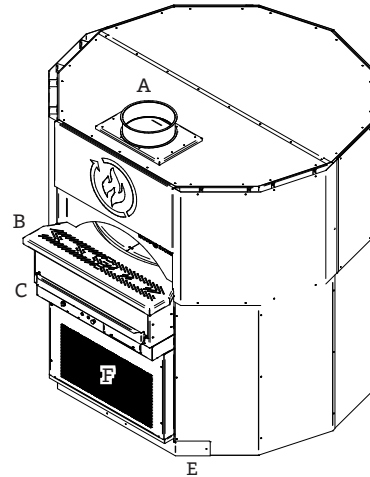




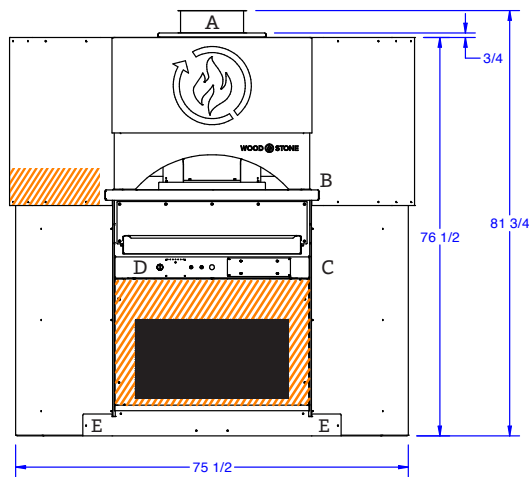
PLAN VIEW



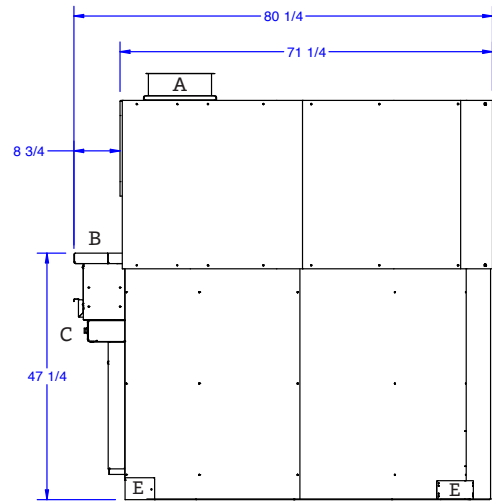
THREE-QUARTER VIEW



FRONT VIEW



SIDE VIEW



A	Flue Collar
B	Mantel
C	Control Panel
D	Function Switch
E	Forklift Here
	Electrical Connection
F	Service Panel
G	Gas Connection
	Must Be Left Removable for Service
	AIR INTAKE: Do Not Facade or Cover Over

UTILITIES SPECIFICATIONS

GAS
1" gas inlet (FNPT)

BTU/hr Requirements
299,000 BTU/hr Natural Gas

ELECTRICAL
120 VAC, 1.1 A, 60 Hz 1 Phase
Connection made beneath oven
as shown.

VENTING INFORMATION

The OneRev Rotating Oven can be direct connected to a power-ventilated, grease-rated chimney or can be vented with a Listed Type 1 exhaust hood, or one constructed in accordance with NFPA 96 and all relevant local and national codes. The oven must be vented in accordance with all relevant local and national codes, and in a manner acceptable to the authority having jurisdiction.

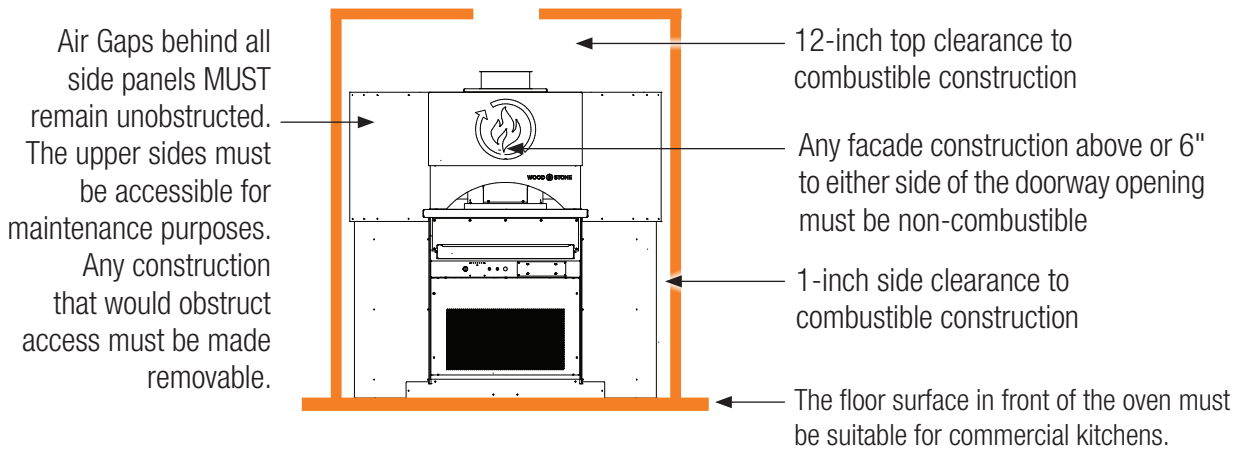
Ship Weight: 3,200 lbs / 1,452 kg



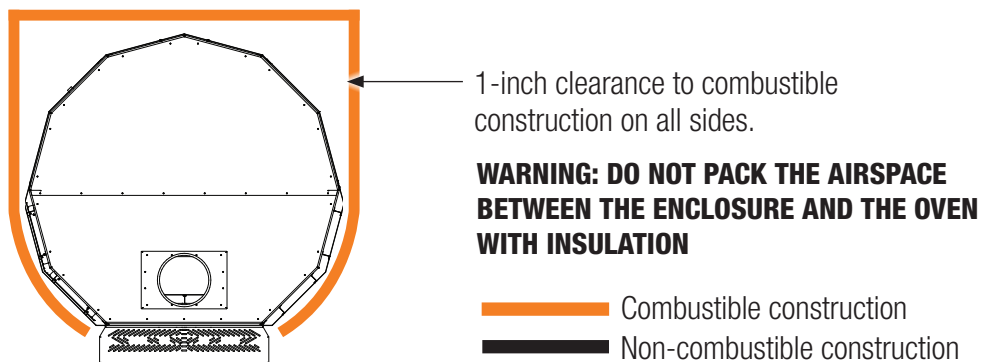
WARNING: Do not pack required air space (clearance) with insulation or other materials. When non-combustible building materials contact the body of the oven, the clearances to combustibles are transferred to those non-combustibles.

1. The Wood Stone OneRev oven must have a minimum 1 inch clearance to combustibles from all sides, and a 12 inch clearance to combustibles from the top (see figures below). Any construction above and/or 6 inches to either side of the door, must be non-combustible.
2. This oven may be installed on a combustible floor surface. The floor surface in front of the oven must be suitable for commercial kitchens.
3. Any combustibles within 3 feet of the oven doorway should be protected in a manner acceptable to the authority having jurisdiction.

Front view



Plan view

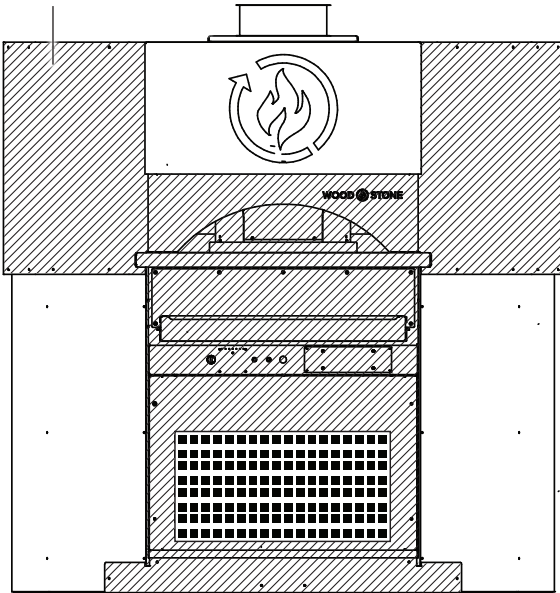




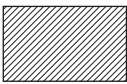
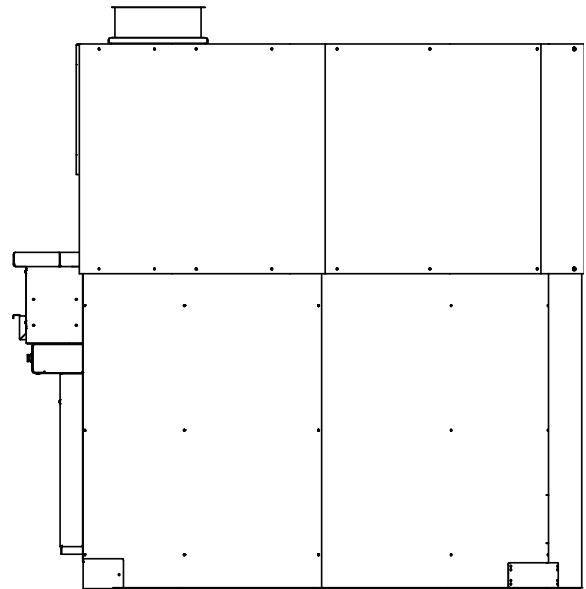
INSTALLATION CLEARANCES
OPERATIONAL ACCESS, SERVICE ACCESS AND CRITICAL AIR INTAKE VENTILATION

Front view

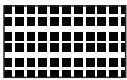
Note: Side Burner Service Panel **MUST** be kept clear to allow removal for service.



Left side view



Area which **MUST** be left accessible for operation and servicing of the oven.



Area which **MUST** be left **UNOBSTRUCTED** to allow proper intake ventilation for the gas burners.



It is never appropriate to use “B vent” in any part of an exhaust system connected to this oven. The venting system should be inspected and cleaned at least every 3 months or as necessary. All combustion products and cooking vapors from the Wood Stone OneRev oven vent through a 12-inch OD flue collar located on the top of the oven.

Submit your venting plans to your local authorities before proceeding with your installation, as there may be additional requirements in your area.

THE FOLLOWING ARE THE MANUFACTURER’S REQUIREMENTS FOR VENTING THE ONEREV OVEN:

1. Direct connection at the oven flue collar to a power ventilated Building Heating Appliance Chimney also Listed as a Grease Duct and incorporating a Listed Power Ventilator for Restaurant Exhaust and rated for operation at a minimum of 350 °F.

OR

Direct connection at the oven flue collar to a manufactured grease duct Listed to UL 1978 and incorporating a Listed Power Ventilation for Restaurant Exhaust, OR direct connection at the oven flue collar to a power ventilated field built welded grease duct constructed and installed to the requirements for a grease duct as outlined in NFPA 96 or the International Mechanical Code, and incorporating a Listed Power Ventilator for Restaurant Exhaust, subject to the approval of the local authority having jurisdiction.

Use a stack or curb mounted fan. Wood Stone does not recommend the use of an in-line fan. A field built grease duct installed and constructed according to the requirements spelled out in NFPA 96, or the International Mechanical Code may also be used.

The CFM required for proper operation when vented in this manner will be approximately **350 CFM** when the oven is hot. See the Setting Exhaust Fan Speed section of this manual.

OR

2. Exhaust hoods complying with the construction methods of NFPA-96 or Listed to UL 710 Exhaust Hoods for Commercial Cooking Equipment or ULC Subject C710-1980 Preliminary Standard for Grease Extractors for Exhaust Ducts.

NOTE: OneRev ovens intended for direct connection will have a round flue adapter already installed at the factory to facilitate direct connection to a round duct. If the oven is to be installed under a hood, it WILL be necessary to remove the round adapter to properly position the hood and ensure proper flue gas ventilation. This is done by removing the screws that attach the adapter to the oven.

The OneRev will have a round flue adapter supplied in a separate box. It should ONLY be installed with direct connect installations. DO NOT install if the oven is installed under an exhaust hood.

Instructions are included in the manual. Please contact Wood Stone if you have any questions.

NOTE

Wood Stone recommends you submit your venting plans in advance to your local authority for approval. The oven must be vented in accordance with all relevant local and national codes, and in a manner acceptable to the authority having jurisdiction.

If fire suppression is required by the local jurisdiction, the oven must then be vented with a Type 1 hood (Option 2 above).

EXHAUST FAN

The exhaust fan must be turned on any time the oven is running. An interlock relay is provided on the oven for controlling the exhaust fan. See instructions for interlocking the oven to the fan in the Utility Connections section of this manual.

To set the fan speed, see Setting Exhaust Fan Speed section of this manual.

**GAS SPECIFICATIONS**

The OneRev oven is equipped with a 1 inch FNPT gas connection. Have a licensed gas installer provide the hook-up and test all fittings and pipe connections for leaks. Use approved gas leak detectors (soap solutions or equivalent) over and around the fittings and pipe connections. **DO NOT USE A FLAME to test for leaks!**

The Burner Manifold pressures have been adjusted and tested at the factory. Please contact the Wood Stone Service Department before attempting any adjustments to the gas system.

This oven must be equipped with a manual, individual Shutoff valve, located between the oven and the Main Gas Supply. This Shutoff valve (supplied by others) must be left readily accessible. Wood Stone also recommends that inspection and maintenance of the burners and gas piping connections on this appliance be performed at regularly scheduled intervals and only by professional gas appliance service agencies. Please contact Wood Stone directly if any service or adjustments are required.

IR BURNERS (IR-1-5), CENTER & SIDE BURNERS

Factory specified valve outlet pressure:

Natural Gas (NG): 3.5" W.C.

Required Inlet Pressure (with all oven burners on):

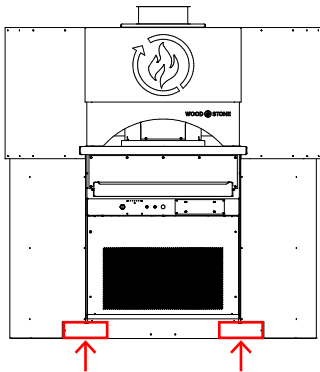
Natural Gas (NG): 5-7" W.C.

GAS CODE LIMITATIONS

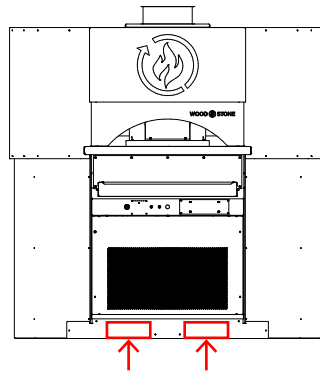
The installation of this appliance must conform with local codes, or in the absence of local codes, with the National Fuel Gas Code, ANSI Z223.1, The Natural Gas Installation Code CAN/CGA-B149.1 or the Propane Installation Code, CAN/CGA-B149.2, as applicable including:

The appliance and its individual shutoff valve (supplied by others) must be disconnected from the gas supply piping system during any pressure testing of that system at test pressures in excess of 1/2 psi (3.45 kPa).

The appliance must be isolated from the gas supply piping system by closing its individual manual shutoff valve (supplied by others) during any pressure testing of the gas supply piping system at test pressure, equal to or less than 1/2 psi (3.45 kPa).



Front Forklift
use outer pockets



Pallet Jack with 4' forks
use inner pockets

⚠ WARNING Minimum Required Forklift Capacities	
5' FORKS MINIMUM	
Model	Lifting from Front or Rear
RV-7880	6,000 lbs

USING A FORKLIFT

The Wood Stone OneRev weighs approximately 3,200 lbs. and is top-heavy.

Use a forklift with adequate fork lengths and lifting capacity. When using a forklift, always use the forklift pockets. Lifting the oven any other way with a forklift may result in damage. Use extreme caution and make sure that the forks extend all the way through the pockets provided. Fork length must be at least 5' long. If it is necessary to approach the oven from the front, be sure the mast does not contact the mantel (shelf).

USING A PALLET JACK

The oven may also be moved with a Pallet Jack using the front or rear inner fork pockets only. Once the oven is on a **smooth, flat** floor it can be rolled to its final position. **DO NOT ATTEMPT TO MANUALLY ROLL THE OVEN UP OR DOWN A RAMP OR INCLINE.** Do not position yourself between the moving oven and an immovable object or surface such as a wall or door frame.

DO NOT TURN THE OVEN ON ITS SIDE!

Moving a Wood Stone oven can present interesting challenges to even the most experienced riggers. Make sure to secure the proper equipment and make safety your first priority. Please don't hesitate to call the factory for technical support.

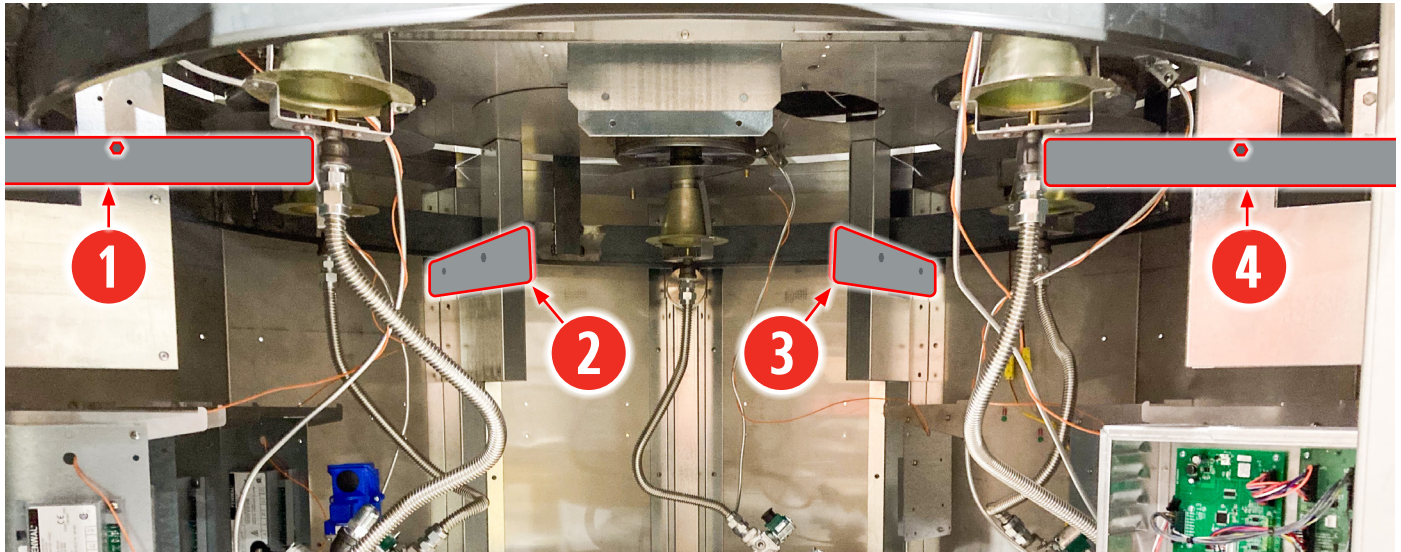
DELIVERY NOTE

The customer will receive an Oven Shipping Notification when the oven leaves the Wood Stone factory. This will include a PRO# and a trucking company contact number. Wood Stone recommends that you confirm the delivery date/time with the trucking company before committing to heavy equipment and/or labor. Our goal is a smooth and safe delivery.



LOWER THE DECK

During transport the deck is raised by metal levers in four positions. The deck must be lowered before the oven can be used.

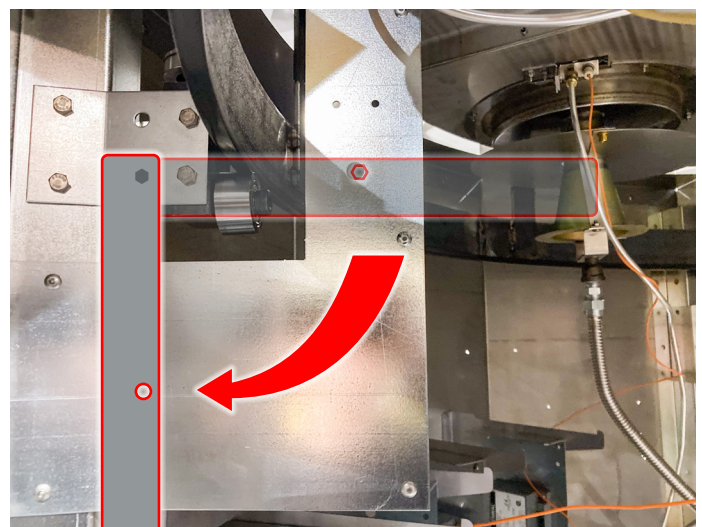
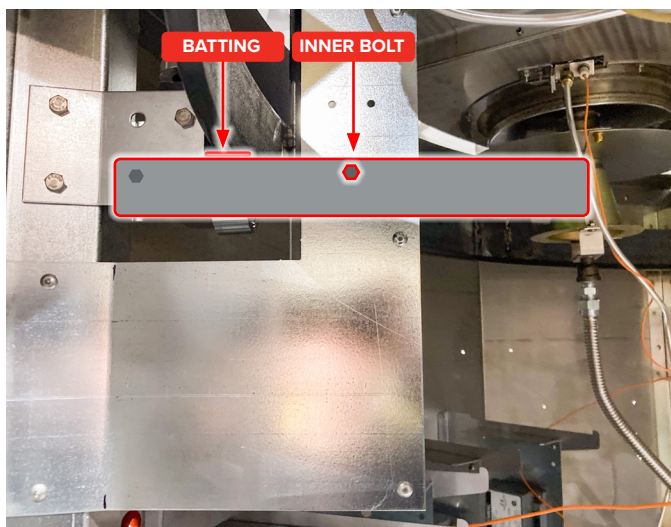


REMOVE INNER BOLT

Loosen and remove the inner bolt while holding the lever arm up. Remove and discard batting between the drive ring and the lever arm.

ROTATE LEVER DOWN

Slowly rotate the lever arm down until the drive ring rests on the idler wheel. Repeat this process for positions two through four.

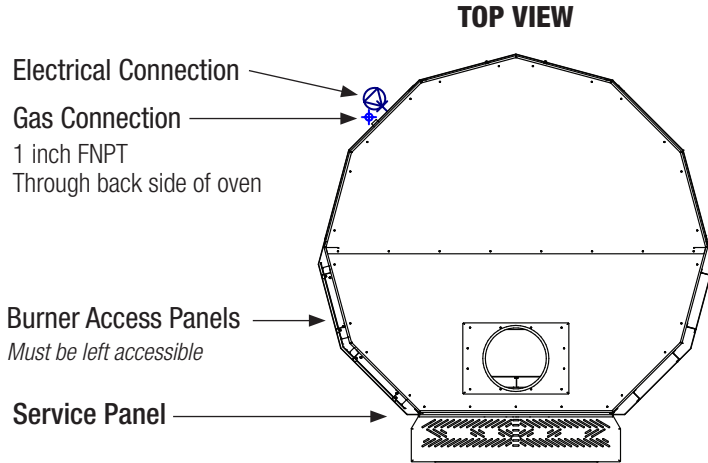


NOTE

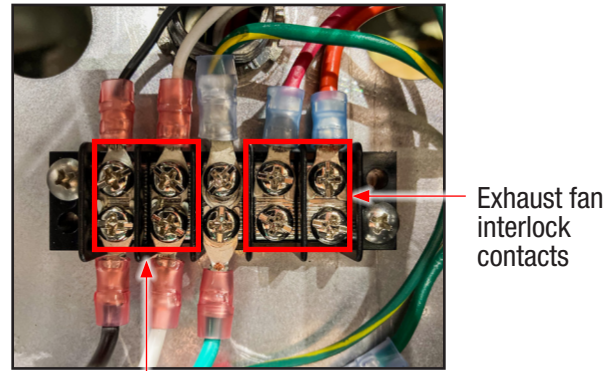
Leave levers in place in the vertical position so that they may be used for future service or transportation if needed.



UTILITY ACCESS THROUGH SIDE SERVICE PANEL



ELECTRICAL CONNECTION



120 VAC Service Connect

POWER CONNECTION TO THE OVEN

Provide a 120 VAC, 1.1 A circuit to the terminal strip, located in the Junction Box located to the rear of the oven. The terminal strip is labeled Line, Neutral, Ground, Fan Line, and Fan Load.

GAS CODE LIMITATIONS

The installation of this appliance must conform with local codes, or in the absence of local codes, with the National Fuel Gas Code, ANSI Z223.1 or The Natural Gas installation Code CAN/CGA-B149.1 as applicable, including:

The appliance and its individual shutoff valve (supplied by others) must be disconnected from the gas supply piping system during any pressure testing of that system at test pressures in excess of 1/2 psi (3.45 kPa).

The appliance must be isolated from the gas supply piping system by closing its individual manual shutoff valve (supplied by others) during any pressure testing of the gas supply piping system at test pressure, equal to or less than 1/2 psi (3.45 kPa).

EXHAUST FAN POWER

An exhaust fan interlock is provided with this oven. The fan should be powered by its own circuit. Fan wiring (by others) must be connected in the Junction Box on the terminal strip, labelled Fan Line and Fan Load. The Junction box is located to the rear of the oven on the right or left side, depending upon model configuration. If using an exhaust fan not provided by Wood Stone, please contact Wood Stone to verify its suitability and if it will work with the interlock.

Provide an appropriate service disconnect (by others) adjacent to the fan, in accordance with national and local codes.

Electrical diagrams can be found behind the Service Panel door.

ELECTRICAL CODE LIMITATIONS

Electrical Grounding: This appliance must be electrically grounded in accordance with local codes, or in the absence of local codes, with the National Electrical code, ANSI/NFPA 70 or the Canadian Electrical Code, CSA C22.1 as applicable.

Note: The fan control will remain 'ON' for 10–15 minutes after the oven is switched off. A fan rated 1/4 HP or less @ 120 VAC or 1/2 HP @ 240 VAC may be connected directly to the FAN LINE & FAN LOAD terminals. Higher loads must be controlled by a contactor, which may be operated by the FAN LINE & FAN LOAD contacts.



DIRECT CONNECT INSTALLATIONS – SETTING THE EXHAUST FAN SPEED

For proper operation of the oven, proper airflow through the duct system must be maintained. Required airflow is 350 CFM when the oven is hot.

SETTING THE FAN SPEED FOR PROPER AIRFLOW

Airflow should be set by a qualified Air Balance or Ventilation Contractor. Adjust accordingly to reach 350 CFM.

AIRFLOW MEASUREMENT

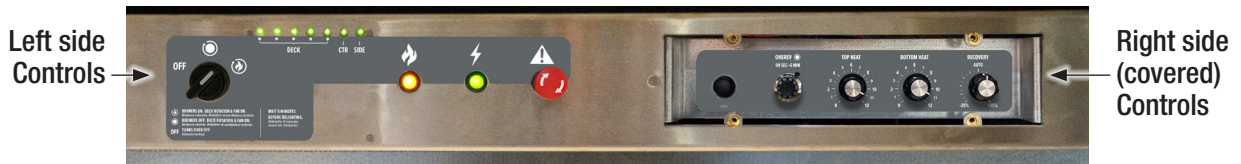
If an airflow measurement is required, this is best measured at the fan outlet by a qualified air balancer or properly equipped HVAC technician. Please contact Wood Stone if there are any questions.

Fan speed control, shown in initial 2 o'clock position.

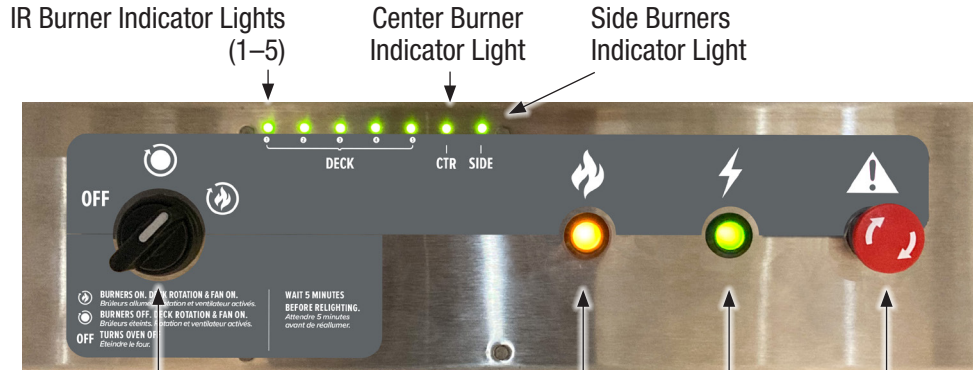




CONTROL PANELS—FRONT PANEL





Left side Controls



IR Burner Indicator Lights (1–5)

Center Burner Indicator Light

Side Burners Indicator Light

- Function Switch**
- ON:**  Engages Full Burner, Exhaust Fan** and Deck Rotation.
 - ROTATION:**  Engages Deck Rotation & Exhaust Fan only (when interlocked.)
 - OFF:** Turns oven OFF—All Burners, Deck Rotation and Exhaust Fan (allow 30 minutes in ROTATION mode before turning to OFF. Exhaust fan will run for a set time after function switch is set to the OFF position).

- Heating Indicator Light**
Indicates the center flame is heating to its set point.
- Main Power Indicator Light**
Indicates the oven is receiving external electrical power.
- Emergency Stop Button**
In the event of an emergency, push button to turn off Rotating Deck and Burners.
To reset: Turn clockwise and pull out.

Right side (covered) Controls



- Rotation Speed Dial**
Rotate the dial to increase or decrease rotation speed. Ranges from 90 seconds to 6 minutes per rotation. (Response delay = 1-1/4 turns)
- Top Heat Dial**
Turn dial clockwise to increase the Temperature Set Point of the air and top surfaces.
- Bottom Heat Dial**
Turn dial clockwise to increase the Temperature Set Point of the Rotating Deck.¹
- Hearth Recovery Dial**
The center "Auto" setting is the recommended starting point. Turn dial clockwise to increase, or counterclockwise to decrease the heat replacement rate on deck.²

¹ If Bottom Heat Dial is set **too low**, all pizzas will tend to be too **light** on the bottom.*
If Bottom Heat Dial is set **too high**, all pizzas will tend to be too **dark** on the bottom.*

² If Hearth Recovery Dial is set **too low**, multiple pizzas cooked *on the same spot* will get progressively **lighter**.*
If Hearth Recovery Dial is set **too high**, multiple pizzas cooked *on the same spot* will get progressively **darker**.*

*Bear in mind that the top heat setting may also affect the deck temperature. Some variation due to temperature oscillation should be expected.


**Note: Exhaust fan refers to external exhaust fan for ventilation system, it is not part of the oven.



GENERAL OVEN OPERATION


IMPORTANT: If at any time you feel that the burners are not operating properly, turn the oven off and call WOOD STONE for service instructions. Before servicing, disconnect the electrical supply at the breaker and turn off the gas supply at the appliance's individual gas shutoff valve. This oven uses electronic ignition systems for the gas burners. In the event of a power failure, no attempt should be made to operate the oven. If the rotation of the deck stops for any reason, the control will turn the burners off.

TURNING ON THE OVEN (BEGINNING OF DAY)

- Turn the Function Switch to the **ON**  position to start the oven.
- The IR Burner, Center and Side Burner Indicator Lights will illuminate, indicating the pilots have ignited and the valve will turn on the gas flow to the burner or the next control valve on each burner.
 - **Main Power Indicator Light (green):** Lit when the selector switch is turned to the **ON** or **ROTATION** position.
 - **Heating Indicator Light (yellow):** Lit when the oven is heating, but still below the selected Temperature Set Point.

Note: The IR burners under the oven deck are not activated immediately at start-up; there is a delay of several minutes before the IR burners are energized while the oven is heating up.

TURNING OFF THE OVEN (END OF DAY)

- Turn the Function Switch counterclockwise to the **ROTATION**  position and allow the exhaust fan to run and the deck to rotate (burners off) for a **minimum of 30 minutes** before completely turning **OFF**. **Ignoring this step may damage the cooking deck.**
- Turn the Function Switch counterclockwise to the **OFF** position to turn the oven off completely after the minimum 30 minute cool down period.

CAUTION: TO AVOID INJURY, CARE SHOULD BE TAKEN WHEN WORKING NEAR THE DOOR OPENING, WHERE THE ROTATING DECK AND DOOR OPENING INTERSECT.

Left hand models with counterclockwise deck rotation – Pinch Point




Right side intersection of door opening and counterclockwise rotating deck.



DAILY CLEANING

OVEN DECK

The oven deck can be cleaned as described while the burners are lit. Alternatively, during non-cooking periods when the burners are not ignited, the deck can be rotated by turning the Function Switch to the ROTATION  position.

Wood Stone recommends using a natural fiber brush to remove debris that accumulates during cooking. Always brush towards the doorway and into the debris mantel. Never brush debris off the sides of the rotating deck or towards the center flame. For deeper cleaning, use a brass bristled brush to loosen debris, then sweep out with the natural fiber brush as described above. When the oven is cool, use a shop vac with a narrow attachment to vacuum out the debris trough.

Wood Stone offers an assortment of oven brushes available through your dealer. Specification sheets may be viewed on the Wood Stone website under Resources.

TAKE CARE NOT TO BRUSH DEBRIS INTO THE RADIANT FLAME BURNERS. DO NOT POUR OR SPRAY LIQUIDS ONTO THE OVEN DECK OR INTO THE OVEN INTERIOR AS THIS CAN DAMAGE THE SURFACE AND WILL VOID THE WARRANTY.

NEVER USE ANY TYPE OF CLEANER OR CHEMICAL ON THE OVEN DECK OR INTERIOR. THIS WILL VOID THE WARRANTY.

OVEN EXTERIOR (DOORWAY AND MANTEL)

All exterior stainless steel and powder coated surfaces should be cleaned as necessary using a mild detergent, hot water and a soft cloth or sponge. Stubborn residues may be removed using a non-metallic scouring pad. When scouring stainless steel surfaces, scrub with the grain of the metal to prevent scratching.



Function Knob turned to "ON"  fully clockwise position from room temperature.

The Deck starts to rotate.

When the Deck is rotating, the Gas Power is switched ON.

The Pilots ALL light, and the Side and Center Finishing Flames light.
The 7 Green Burner Indicator LEDs on the Front Panel illuminate when burners are lit.
The Center Flame starts at a low setting until the Oven Temperature reaches 175 °F (80 °C), then is turned all the way up.

When the Oven Temperature has reached 275 °F (135 °C), a single IR Burner is allowed to run and assist heating the oven.
If the Deck Temperature reaches the Set Point, this IR Burner will be turned off and cycled, as required, to maintain the Table Temperature Set Point.

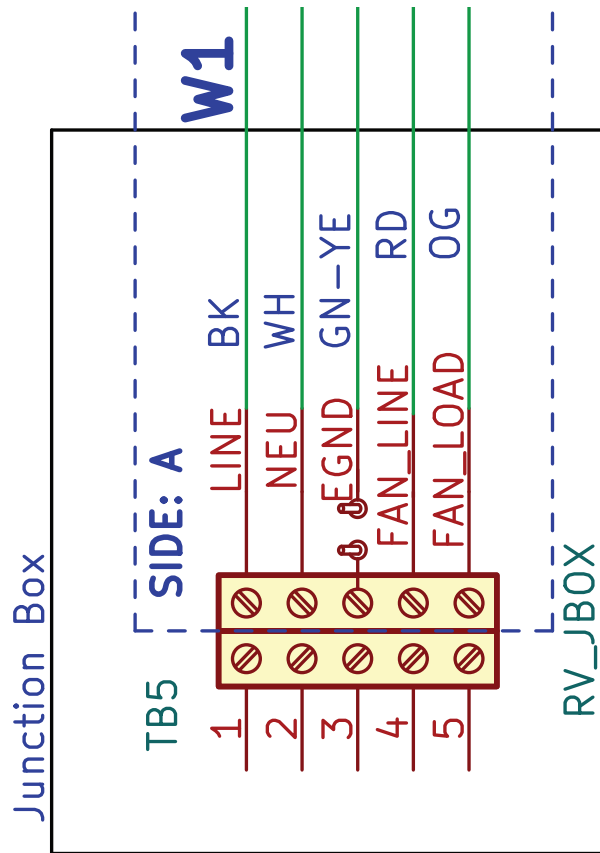
When the Oven Dome Temperature reaches 330 °F (166 °C), ALL of the IR Burners are allowed to operate as required to maintain the Deck Temperature Set Point.

When the oven has reached nearly the Oven Temperature Set Point, the Center Finishing Flame is modulated to maintain the correct Oven Temperature and the heating light is extinguished.

When cooking pizzas, the IR Burners fire as required to replace energy lost from the Deck to the pizza dough.

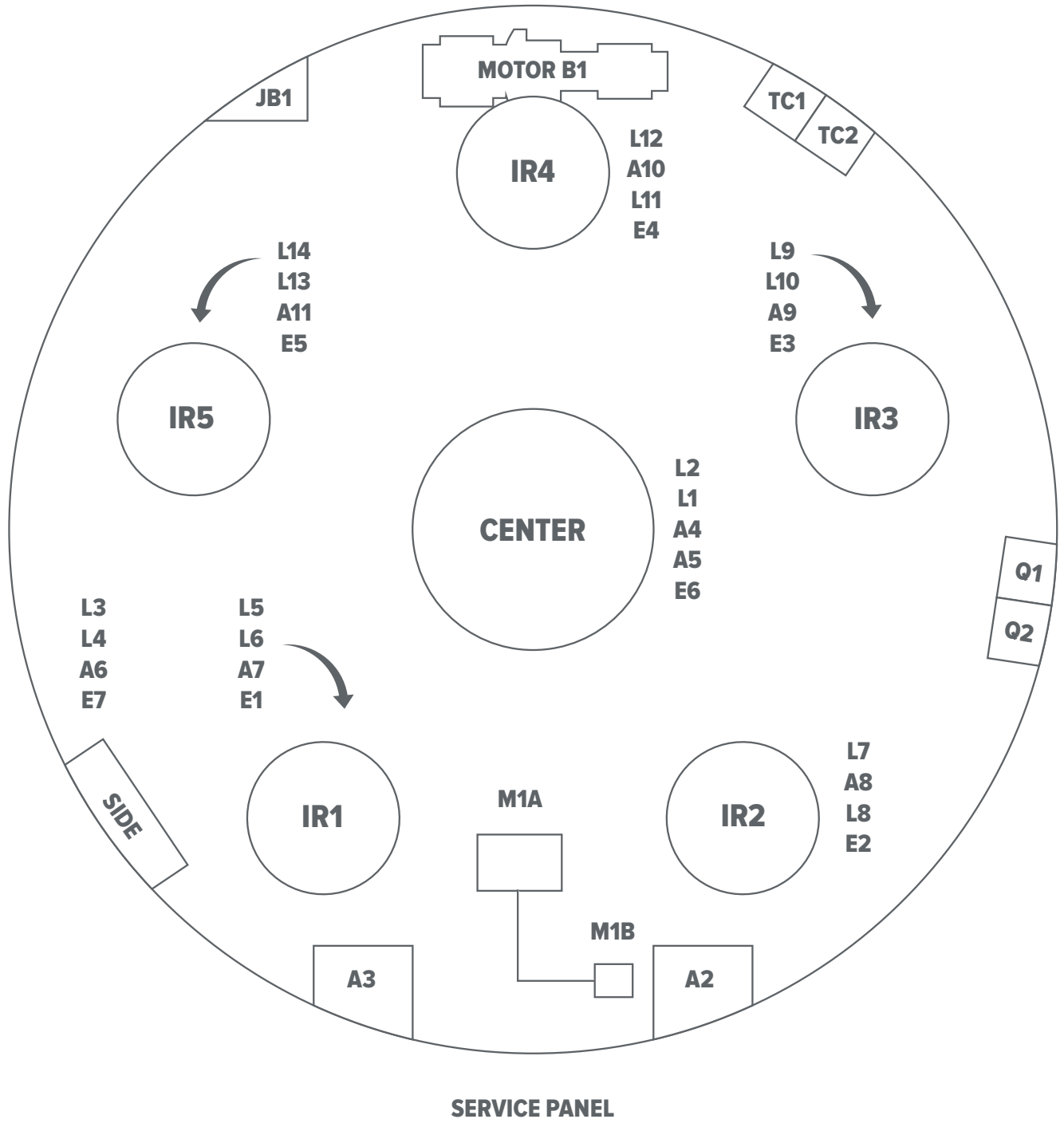


INCOMING POWER CONNECTIONS



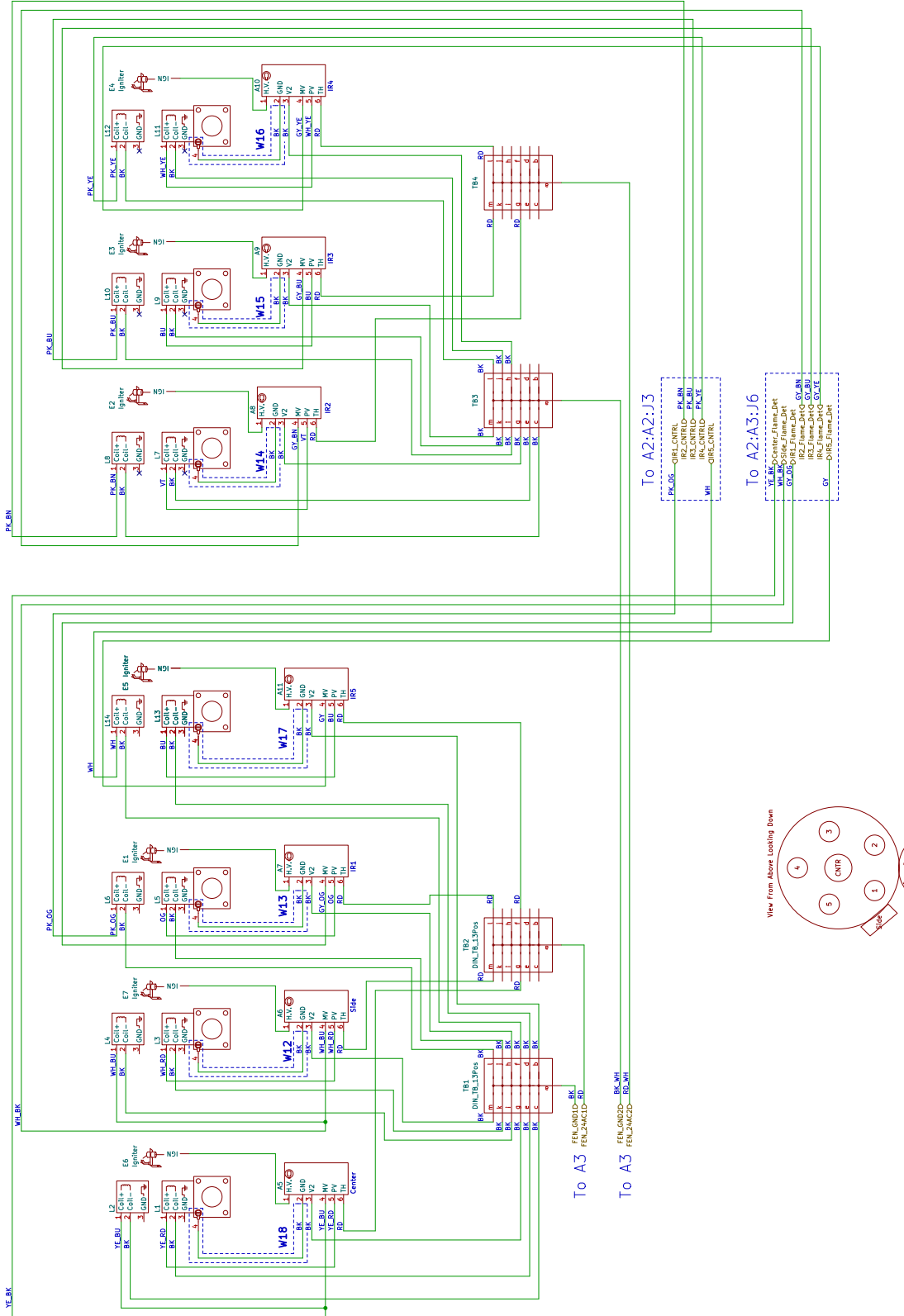


ELECTRICAL LAYOUT



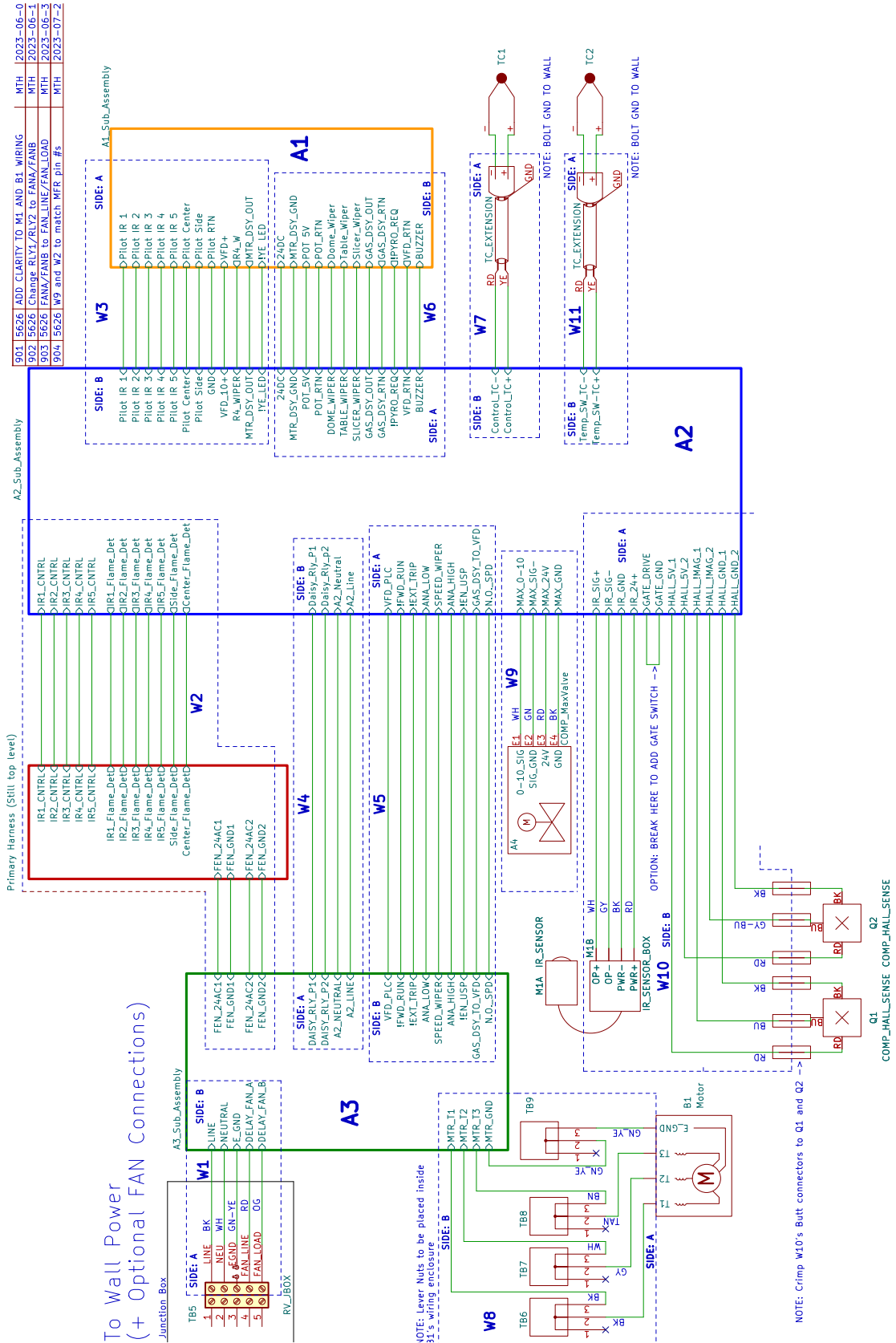


VALVE WIRING



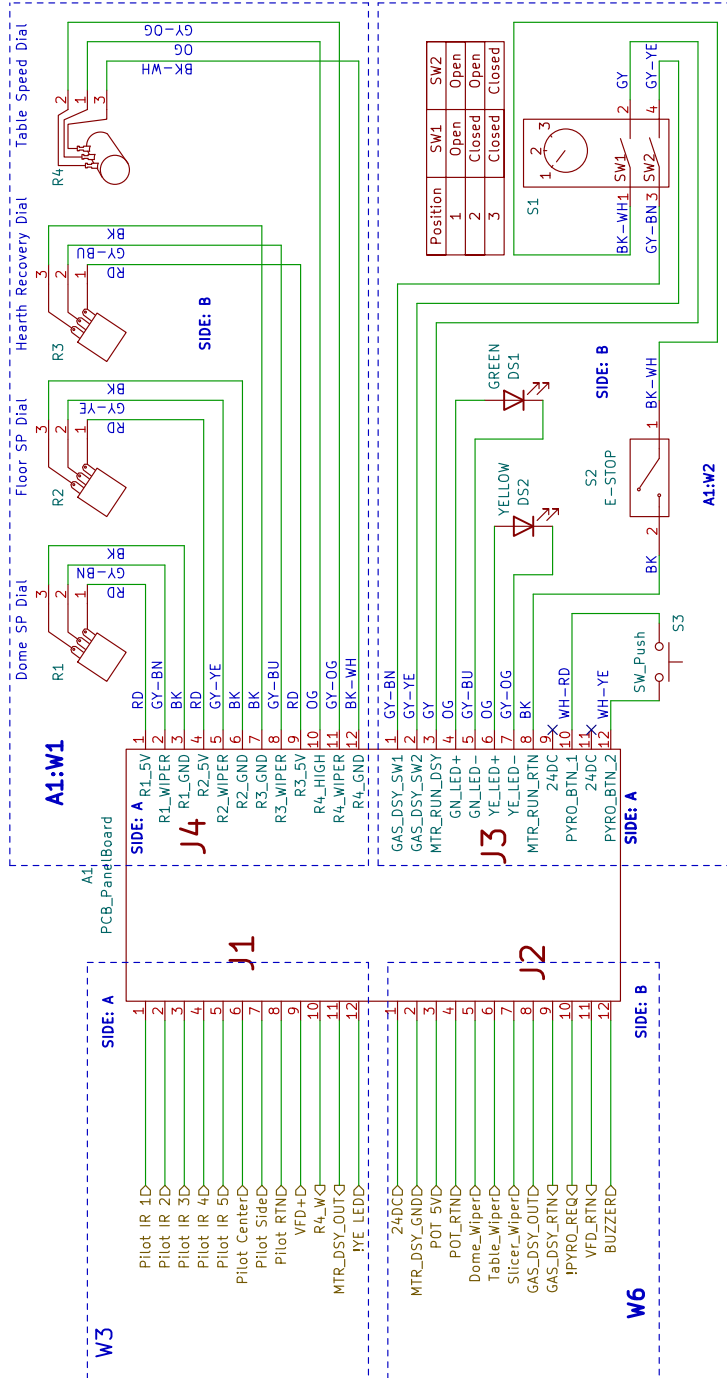


ELECTRICAL COMPONENTS





A1 - FRONT PANEL ASSEMBLY

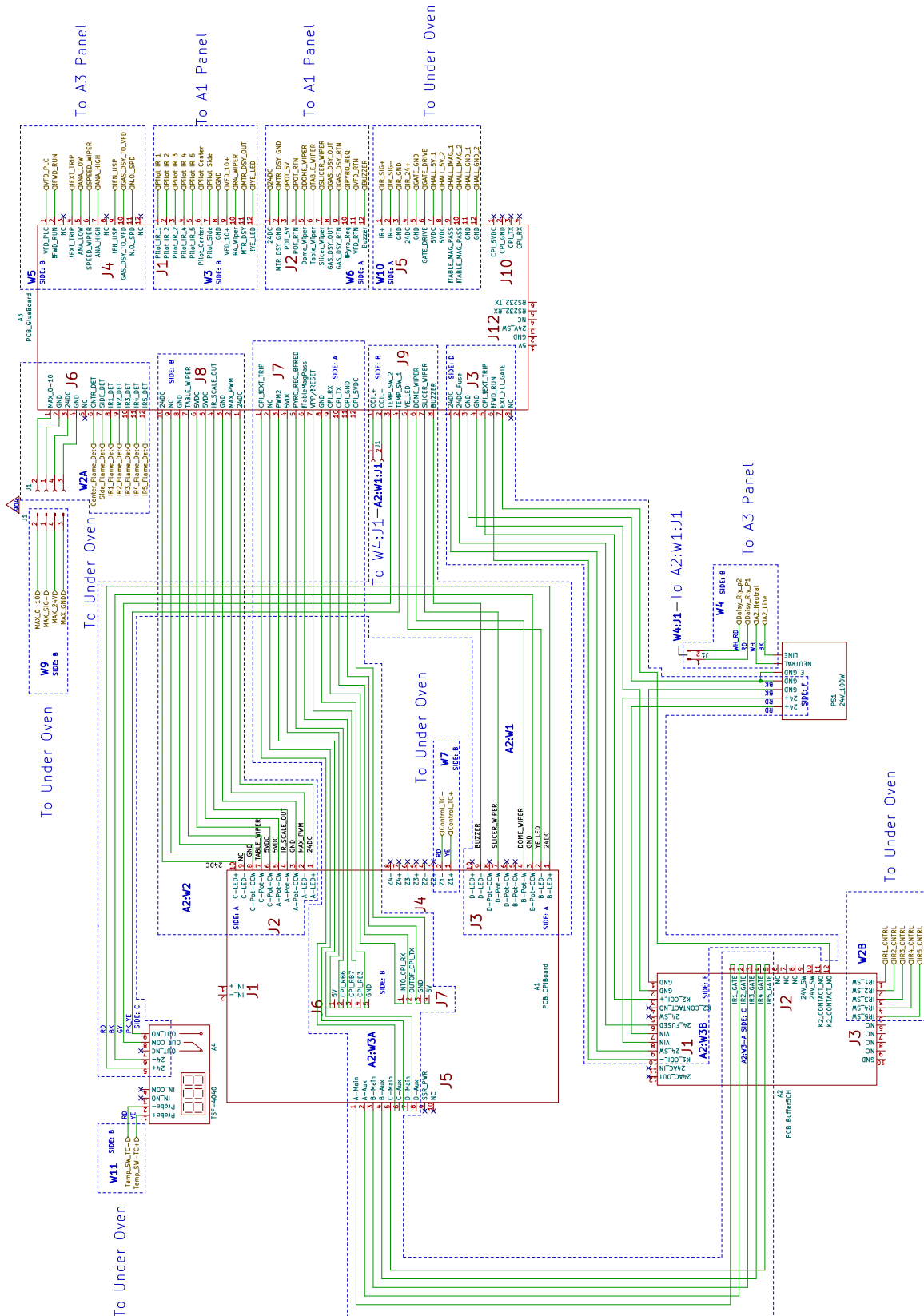


To A2 Panel

To A2 Panel

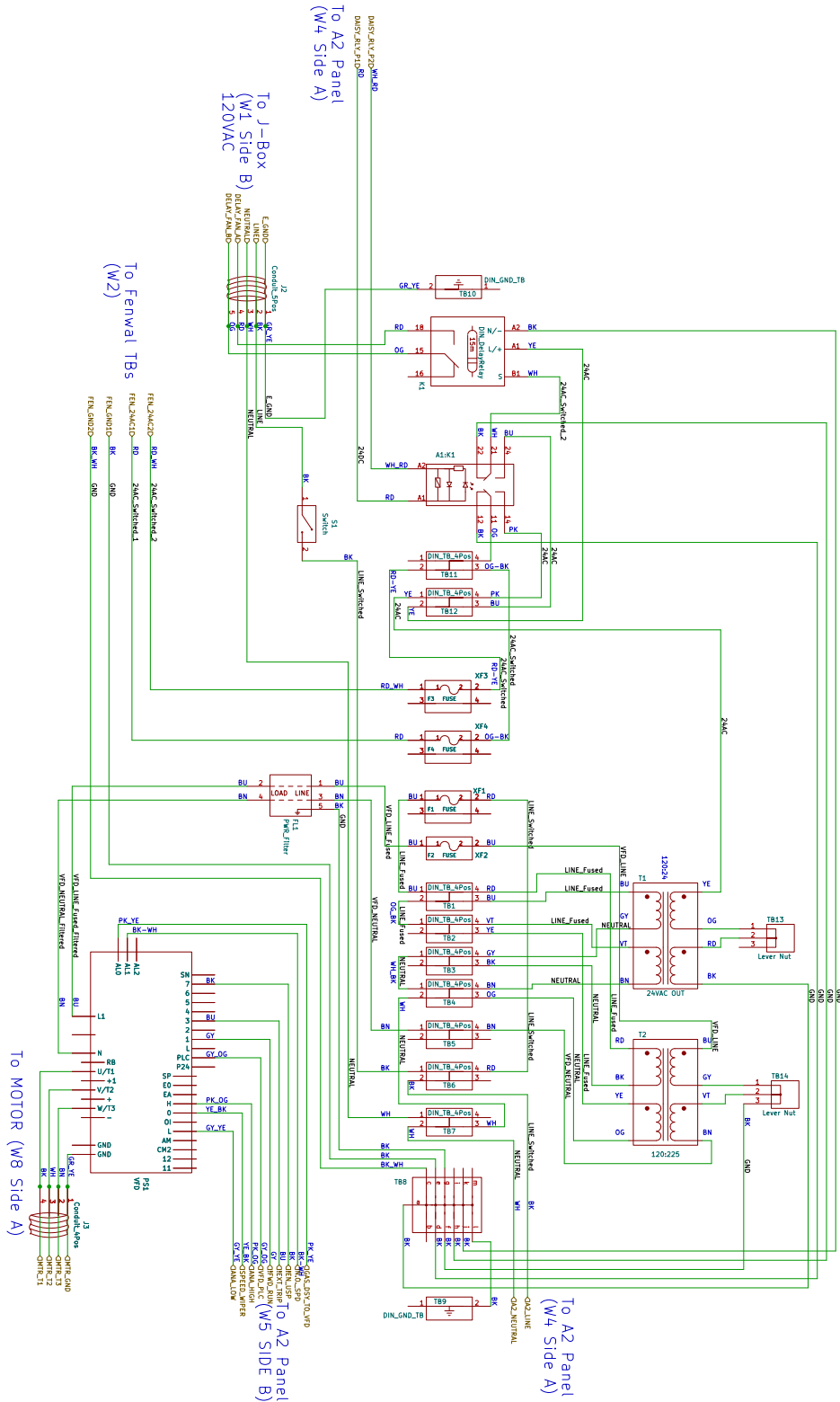


A2 PANEL - CONTROL PANEL ASSEMBLY



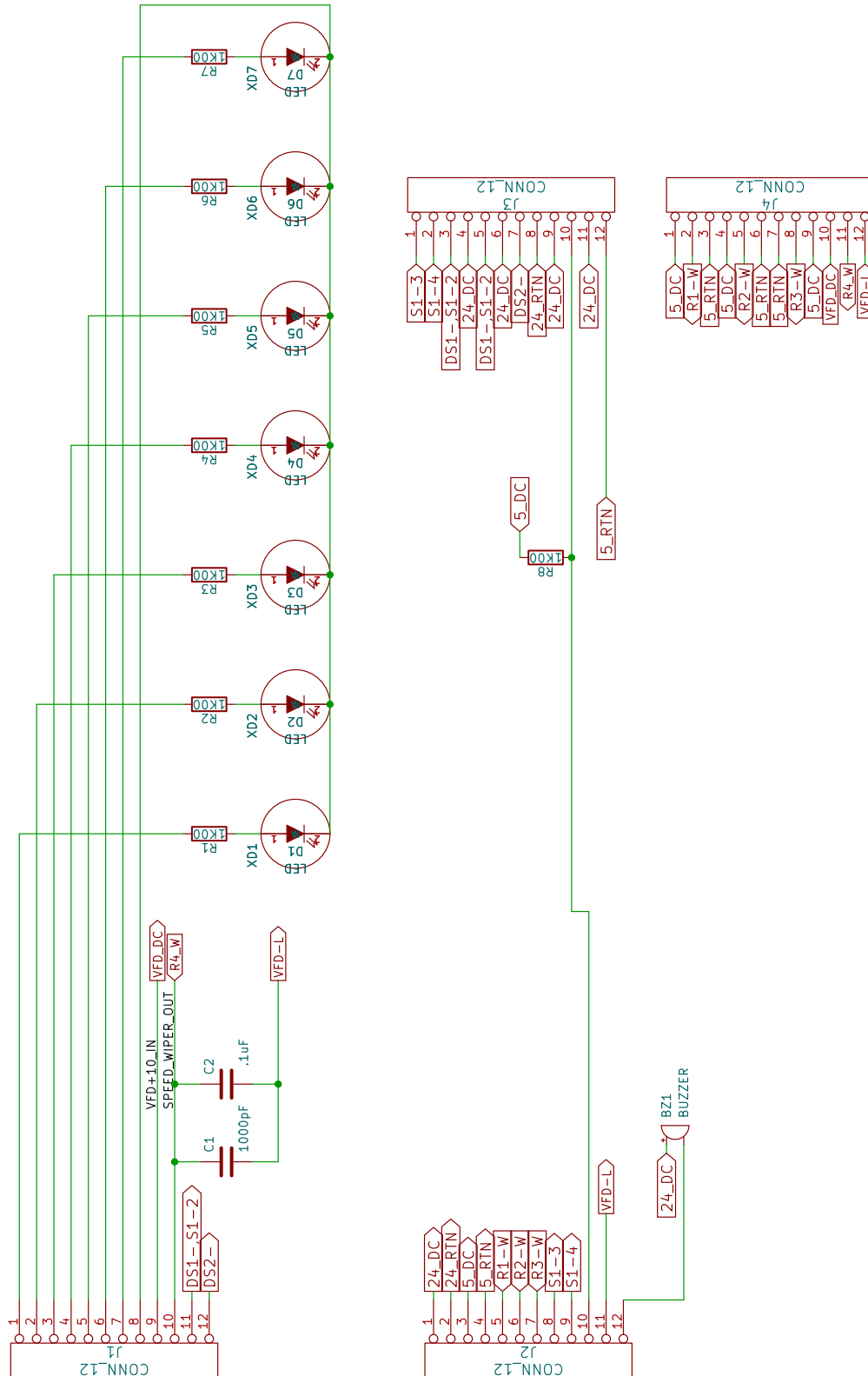


A3 - POWER PANEL ASSEMBLY





PANEL BOARD





**ALL WARRANTY SERVICE MUST BE PRE-APPROVED BY WOOD STONE
PLEASE CONTACT THE FACTORY FIRST**

Please call 1.800.988.8103 or 1.360.650.1111 seven days a week. Our normal service hours are 8am to 5pm Pacific time Monday through Friday. If calling during non-business hours, follow the recorded instructions for emergency service and a Wood Stone technician will get back to you promptly. Wood Stone warrants its equipment to the original purchaser against defects in material or manufacture for a period of one year from the original date of purchase subject to the following exclusions and limitations.

EXCLUSIONS

The warranties provided by Wood Stone do not apply in the following instances:

1. In the event that the equipment is improperly installed. Proper installation is the responsibility of the installer; proper installation procedures are prescribed by the Wood Stone installation manual.
2. In the event the equipment is improperly maintained. Proper maintenance is the responsibility of the user; proper maintenance procedures are prescribed in the Wood Stone installation manual.
3. In the event that the failure or malfunction of the appliance or any part thereof is caused by abnormal use or is otherwise not attributable to defect in material or manufacture.
4. In the event that the appliance, by whatever cause, has been materially altered from the condition in which it left the factory.
5. In the event that the rating plate has been removed, altered or obliterated.
6. On parts that would be normally worn or replaced under normal conditions.
7. Normal cracking due to expansion and contraction stress relief in the ceramic.
- 8. In the event that any type of solid fuel has been burned in the equipment.**
9. Damage resulting from the use of chemical cleaning products in the oven, as well as any damage from liquids or chemicals being poured or sprayed into the oven.

If any oral statements have been made regarding this appliance, such statements do not constitute warranties and are not part of the contract of sale. This Limited Warranty constitutes the complete, final and exclusive statement with regard to warranties.

THIS LIMITED WARRANTY IS EXCLUSIVE AND IN LIEU OF ALL OTHER WARRANTIES WHETHER WRITTEN, ORAL OR IMPLIED, INCLUDING, BUT NOT LIMITED TO, ANY WARRANTY OF MERCHANTABILITY OR FITNESS FOR PARTICULAR PURPOSE OR WARRANTY AGAINST LATENT DEFECTS

LIMITATIONS OF LIABILITY

In the event of warranty claim or otherwise, the sole obligation of Wood Stone shall be the repair and/or replacement, at the option of Wood Stone, of the appliance or component or part thereof. Such repair or replacement shall be at the expense of Wood Stone with the exception of travel over 100 miles or two hours, overtime, and holiday charges which shall be at the expense of the purchaser. Any repair or replacement under this warranty does not constitute an extension of the original warranty for any period of the appliance or for any component or part thereof. Parts to be replaced under this warranty will be repaired or replaced at the option of Wood Stone with new or functionally operative parts. The liability of Wood Stone on any claim of any kind, including claims based on warranty, expressed or implied, contract, negligence, strict liability or any other theories shall be solely and exclusively the repair or replacement of the product as stated herein, and such liability shall not include, and purchaser specifically renounces any rights to recover, special, incidental, consequential or other damages of any kind whatsoever, including, but not limited to, injuries to persons or damage to property, loss of profits or anticipated profits, or loss of use of the product.

TO SECURE WARRANTY SERVICE

If you claim a defect covered by this Limited Warranty, direct your claim to:
Wood Stone Corporation 1801 W. Bakerview Rd. Bellingham, WA 98226 USA Attn: Global Service Manager