

Installation and Operation Manual



PHOENIX OVEN

Stone Hearth Oven

Gas-Fired, Gas/Wood Combination Models

PHOENIX 3030 WS-PX-3030-RFG

PHOENIX 4343 WS-PX-4343-RFG-(W)

PHOENIX 4355 WS-PX-4355-RFG-(W)

PHOENIX 4836 WS-PX-4836-RFG

WOOD  STONE

WOOD STONE CORPORATION

1801 W. Bakerview Rd.
Bellingham, WA 98226 USA

Tel +1.360.650.1111
Fax +1.360.650.1166



TABLE OF CONTENTS

Phoenix 3
Cautions & Warnings 4
SPECIFICATIONS
PX-3030. 5
PX-4343. 6
PX-4355. 7
PX-4836. 8
Installation Clearances 9
Moving & Placing the Oven. 10
Disassembly. 11
Lifting the Oven. 13
Exploded Parts Diagram 15
Assembly 16
Utility Connections 22
Storage Box Installation 25
Venting 26
Controller 27
Initial Start-Up. 28
Daily Operation 29
Maintenance 30
Troubleshooting Guide. 31
Wood Burning. 32
Fuelwood Facts. 34
100-120 VAC Wire Diagram 35
200-240 VAC Wire Diagram 37
Limited Warranty 39



**INSTALLATION AND OPERATION MANUAL FOR
THE WOOD STONE PHOENIX**

**STONE HEARTH COOKING EQUIPMENT
COMMERCIAL INTERNAL TRANSITION MODELS**

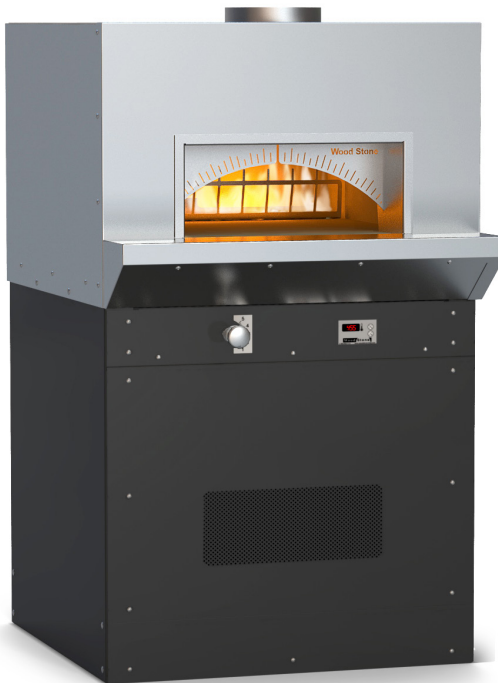
WS-PX-3030-RFG-(NG, LP)

WS-PX-4343-RFG-(W)-(NG, LP)

WS-PX-4355-RFG-(W)-(NG, LP)

WS-PX-4836-RFG-(NG, LP)

ADDITIONAL COPIES AVAILABLE UPON REQUEST



Shown: WS-PX-4343-RFG

**WOOD STONE PHOENIX GAS OVEN
INSTALLATION AND OPERATING INSTRUCTIONS****RETAIN THIS MANUAL FOR FUTURE REFERENCE**

Additional copies of this manual are available at woodstone-corp.com.

For prompt responses to service/maintenance questions, call your local distributor.

IMPORTANT: Consult your local gas supplier for a statement outlining a procedure to be followed in the event you smell gas. Post the statement in a prominent location.



THIS APPLIANCE IS FOR PROFESSIONAL USE BY QUALIFIED PERSONNEL. THIS APPLIANCE MUST BE INSTALLED BY QUALIFIED PERSONS IN ACCORDANCE WITH THE REGULATIONS IN FORCE. THIS APPLIANCE MUST BE INSTALLED WITH SUFFICIENT VENTILATION TO PREVENT THE OCCURRENCE OF UNACCEPTABLE CONCENTRATIONS OF SUBSTANCES HARMFUL TO HEALTH IN THE ROOM IN WHICH IT IS INSTALLED. THIS APPLIANCE NEEDS AN UNOBSTRUCTED FLOW OF FRESH AIR FOR SATISFACTORY COMBUSTION AND MUST BE INSTALLED IN A SUITABLY VENTILATED ROOM IN ACCORDANCE WITH CURRENT REGULATIONS. THIS APPLIANCE SHOULD BE SERVICED BY QUALIFIED PERSONNEL AT LEAST EVERY 12 MONTHS, OR SOONER IF HEAVY USE IS EXPECTED.

IF THIS OVEN IS NOT PROPERLY INSTALLED A FIRE MAY RESULT. TO REDUCE THE RISK OF FIRE, FOLLOW THESE INSTALLATION INSTRUCTIONS. A MAJOR CAUSE OF OVEN RELATED FIRES IS FAILURE TO MAINTAIN REQUIRED CLEARANCES (AIR SPACES) TO COMBUSTIBLE MATERIALS. IT IS OF THE UTMOST IMPORTANCE THAT THIS OVEN BE INSTALLED ONLY IN ACCORDANCE WITH THESE INSTRUCTIONS.

FOR YOUR SAFETY: Do not store or use gasoline or other flammable vapors or liquids in the vicinity of this or any other appliance.

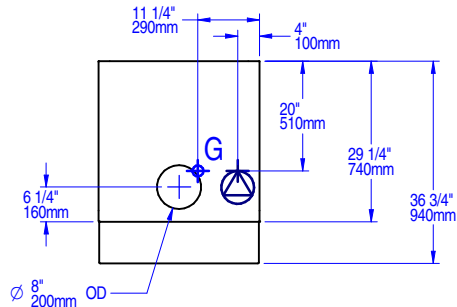
**IT IS RECOMMENDED THAT THIS OVEN BE INSTALLED, MAINTAINED AND SERVICED
BY AUTHORIZED PROFESSIONALS.**


WARNING: Improper installation, adjustment, alteration, service or maintenance can result in property damage, injury or death. Read the installation, operation and maintenance instructions thoroughly before installing or servicing this equipment.


DO NOT THROW THIS MANUAL AWAY



Plan view



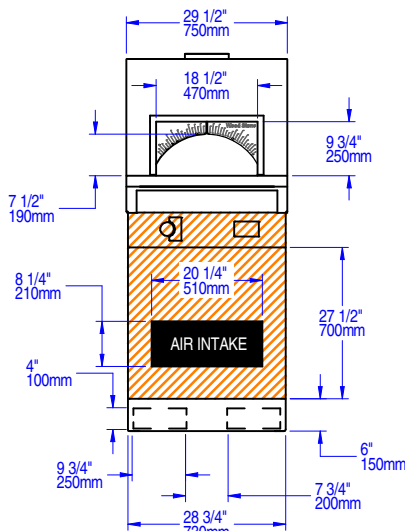
 Air intake: Do not facade or cover over

 Must be left removable for service

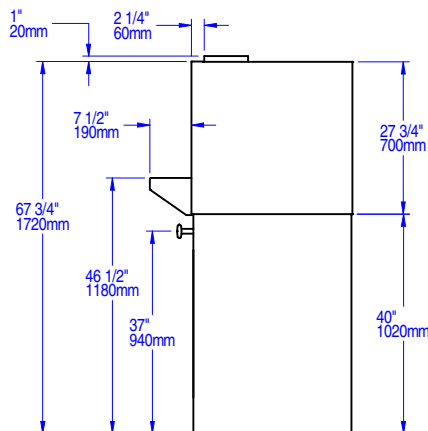
**Actual weight: 385 kg
850 lbs.**

**Ship weight: 499 kg
1100 lbs.**

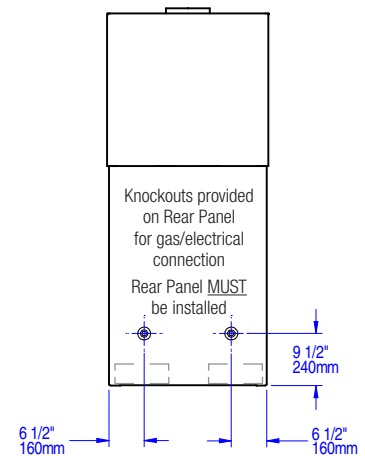
Front view



Side view



Rear view



UTILITIES SPECIFICATIONS

Gas

19mm (3/4 inch) FNPT gas inlet

55,000 BTU/hr (16.1 kW max.)

Natural Gas (NG)

OR

48,000 BTU/hr (14.0 kW max.)

Propane (LP)

Electrical

Specify AC Voltage, 1 A, 50/60 Hz

See data plate on oven.

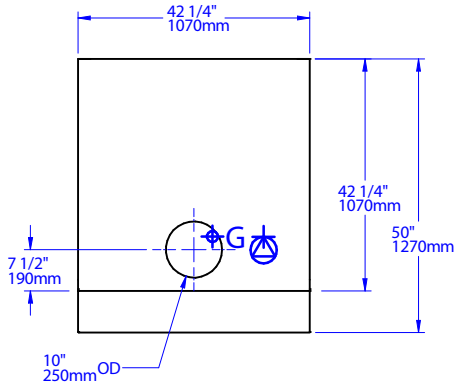
All utility connections made on the back of the oven control box. Remove front or rear panel for access. Use utility knockouts (provided) to route gas and electrical supplies.


Venting


The Phoenix must be vented using an approved chimney, or an exhaust hood constructed and installed in accordance with all relevant local and national codes.



Plan view



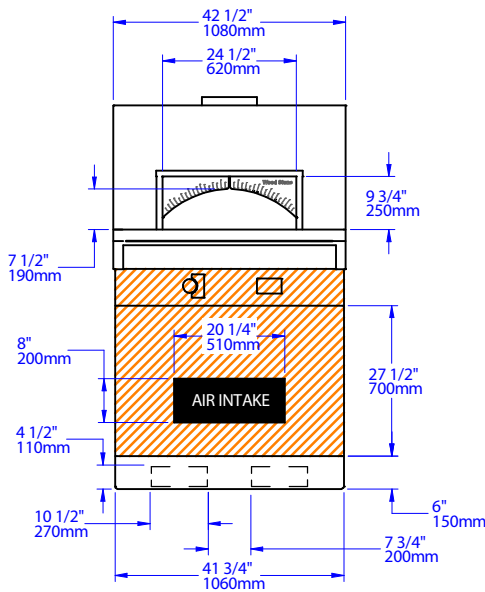
 Air intake: Do not facade or cover over

 Must be left removable for service

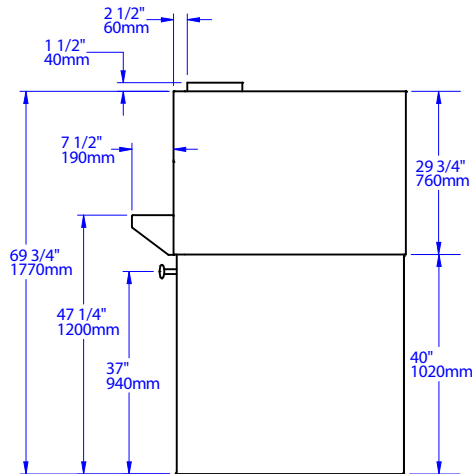
**Actual weight: 748 kg
1650 lbs.**

**Ship weight: 953 kg
2100 lbs.**

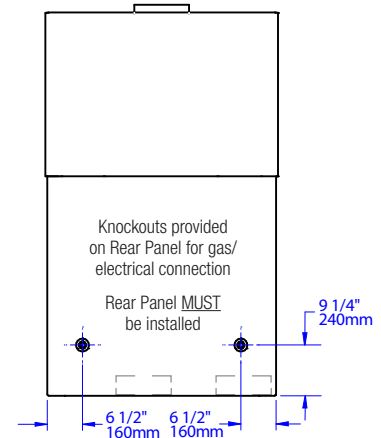
Front view



Side view



Rear view



UTILITIES SPECIFICATIONS

Gas

19mm (3/4 inch) FNPT gas inlet

80,500 BTU/hr (23.57 kW max.)

Natural Gas (NG)

OR

80,500 BTU/hr (23.57 kW max.) Propane (LP)

OG models see Equipment Data Plate

Electrical

Specify AC Voltage, 1 A, 50/60 Hz

See data plate on oven.

All utility connections made on the back of the oven control box. Remove front or rear panel for access. Use utility knockouts (provided) to route gas and electrical supplies.

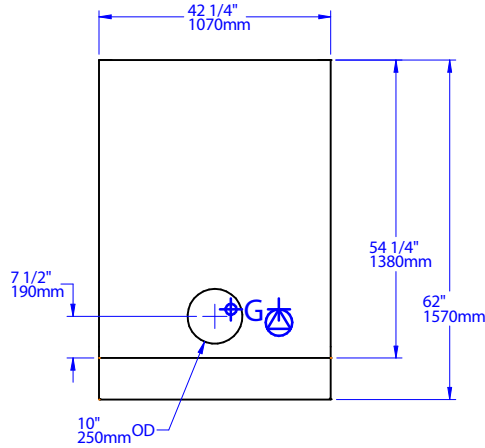
Venting


The Phoenix must be vented using an approved chimney, or an exhaust hood constructed and installed in accordance with all relevant local and national codes.


Important: Phoenix models with a -W in the model number must be vented in accordance with all regulations pertaining to solid fuel appliances.



Plan view



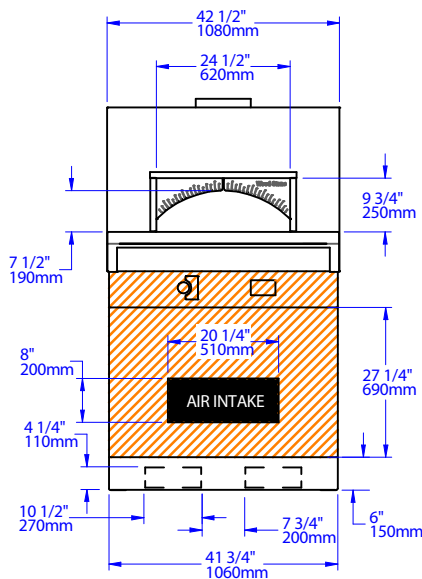
 Air intake: Do not facade or cover over

 Must be left removable for service

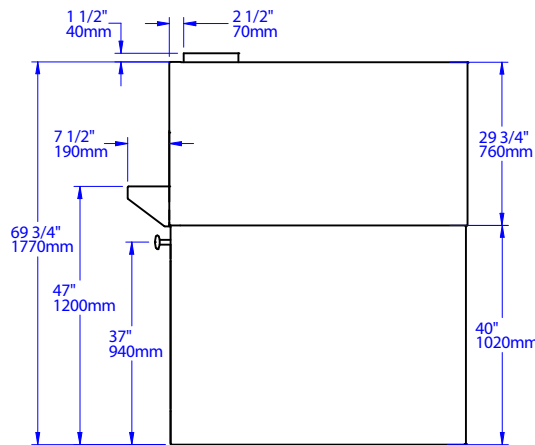
**Actual weight: 998 kg
2200 lbs.**

**Ship weight: 1134 kg
2500 lbs.**

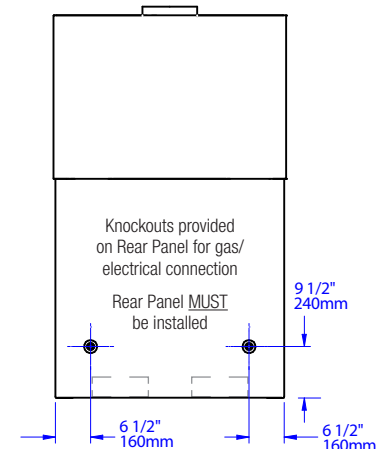
Front view



Side view



Rear view



UTILITIES SPECIFICATIONS

Gas

19mm (3/4 inch) FNPT gas inlet

80,500 BTU/hr (23.57 kW max.)

Natural Gas (NG)

OR

80,500 BTU/hr (23.57 kW max.) Propane (LP)

OG models see Equipment Data Plate

Electrical

Specify AC Voltage, 1 A, 50/60 Hz

See data plate on oven.

All utility connections made on the back of the oven control box. Remove front or rear panel for access. Use utility knockouts (provided) to route gas and electrical supplies.

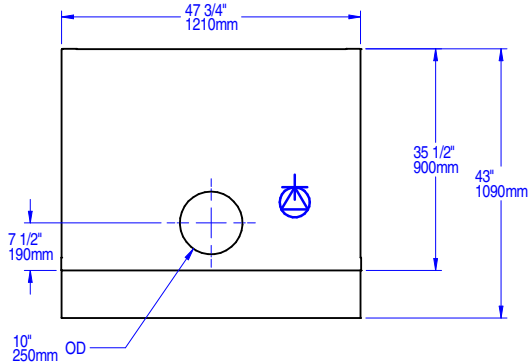
Venting


The Phoenix must be vented using an approved chimney, or an exhaust hood constructed and installed in accordance with all relevant local and national codes.


Important: Phoenix models with a -W in the model number must be vented in accordance with all regulations pertaining to solid fuel appliances.



Plan view



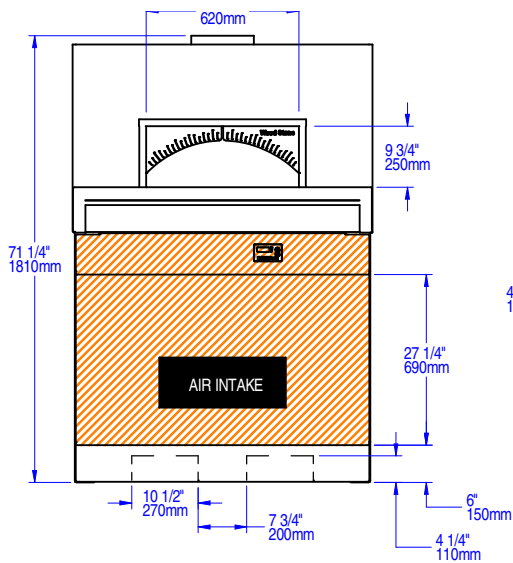
 Air intake: Do not facade or cover over

 Must be left removable for service

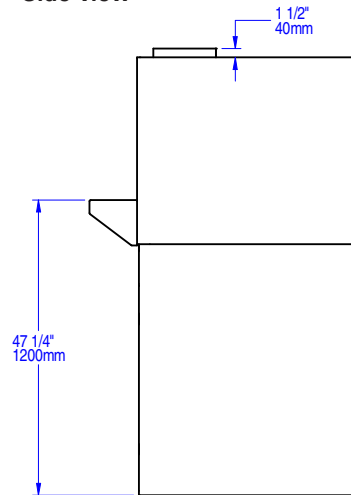
**Actual weight: 748 kg
1650 lbs.**

**Ship weight: 816 kg
1800 lbs.**

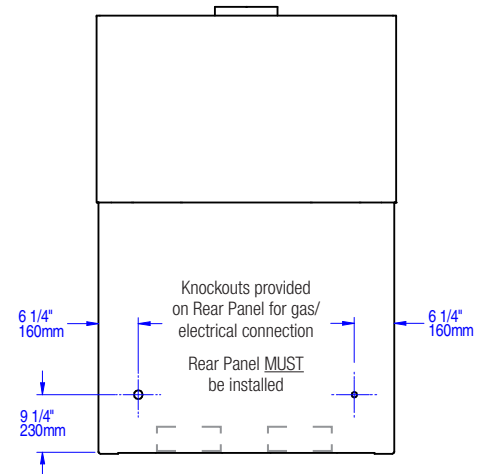
Front view



Side view



Rear view



UTILITIES SPECIFICATIONS

Gas

19mm (3/4 inch) FNPT gas inlet

80,500 BTU/hr (23.57 kW max.)

Natural Gas (NG)

OR

80,500 BTU/hr (23.57 kW max.) Propane (LP)

OG models see Equipment Data Plate

Electrical

Specify AC Voltage, 1 A, 50/60 Hz

See data plate on oven.

All utility connections made on the back of the oven panel for access. Remove front or rear panel for access. Use utility knockouts (provided) to route gas and electrical supplies.

Venting

The Phoenix must be vented using an approved chimney, or an exhaust hood constructed and installed in accordance with all relevant local and national codes.



WARNING: Do not pack required air space (clearance) with insulation or other materials. When non-combustible building materials contact the body of the oven, the clearances to combustibles are transferred to those non-combustibles.

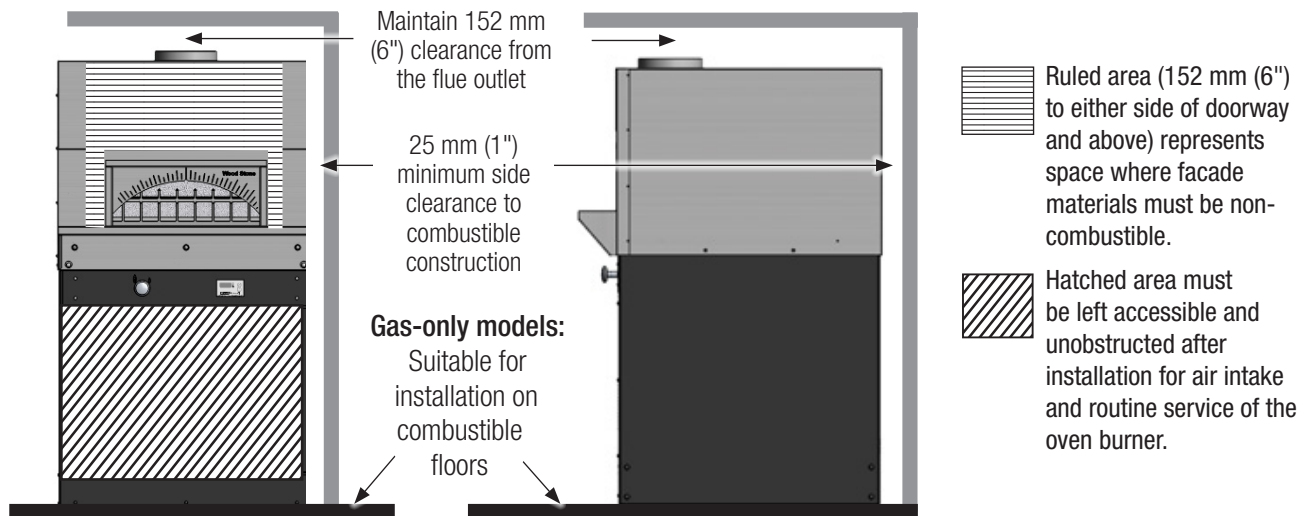


WARNING: Installation and servicing of this product could expose you to glasswool/ceramic fibers as well as calcium silicate dust. ALWAYS WEAR RESPIRATORY AND EYE PROTECTION WHEN INSTALLING OR SERVICING THIS APPLIANCE. Please read this entire manual before you install the oven. Failure to follow instructions may result in property damage, bodily injury or even death. Contact your local building or fire officials about restrictions and installation inspection in your area.

CLEARANCES

1. The Wood Stone Phoenix oven must have a minimum 25 mm (1") clearance to combustibles from all sides, and 152 mm (6") clearance to combustibles from the top. If building materials will contact the oven, they must be completely non-combustible. Please note that standard Drywall (or Sheetrock) is considered a combustible. When non-combustible building materials contact the body of the oven, the respective clearances are transferred to those non-combustibles.
2. Any facade 152 mm (6") to either side of the oven doorway or above, must be constructed of non-combustible building materials.
3. **For gas-only models**, this oven is suitable for installation on combustible floors.
For gas/wood combination models, this oven is suitable for installation on combustible floors. The minimum hearth extension area to be covered with a non-combustible floor surface must extend 914 mm (36") in front of and 762 mm (30") to either side of the oven door opening.

NOTICE: For stucco-ready appliances, the same clearances as described above apply. Non-combustible stucco mix must be used and applied to a minimum thickness of 25mm (1").



Gas/wood combination models: This oven is suitable for installation on combustible floors. The minimum hearth extension area to be covered with a non-combustible floor surface 914 mm (36") in front and 762 mm (30") to either side of oven door opening.



If you received your Phoenix oven disassembled, go to the **ASSEMBLY** section.
If you need to disassemble the oven to move it through a narrow door or passageway,
see the **DISASSEMBLY** section in this manual.

If the oven is to be installed against a wall, leave access to the back of the oven to complete the utility connections.

USING A FORKLIFT | PALLET JACK

Phoenix ovens are very top-heavy. **If the oven tips it can cause severe injury or death. Never use a Hand Truck to move the oven. The oven should only be moved using a Pallet Jack on a smooth, LEVEL FLOOR.** If the oven must be moved over an inclined surface, a Forklift or other suitable means should be employed. If the installer does not have the equipment or experience required to move the oven safely, we recommend securing the services of a qualified rigging company.

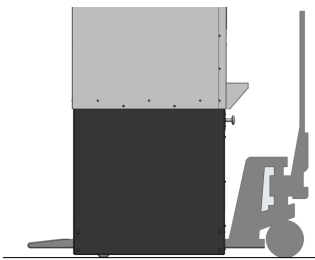
The oven should only be moved using a Pallet Jack on a smooth, LEVEL FLOOR.

LEVELING AND SHIMMING THE OVEN

The installed oven must be level. Use metal shims to level the oven if necessary. Because the weight of the oven is carried by the full perimeter of the oven stand, make certain there are no gaps larger than approximately 13mm (1/2") where the oven stand is unsupported by shims. Seal any small gaps between the oven and the floor with silicone. Failure to solidly support the full perimeter of the oven stand can result in costly damage to the oven and will void the warranty. The floor design and construction must be adequate to handle the weight of the oven.

Please see woodstone-corp.com for floor loading information.

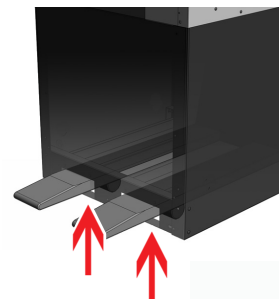
MOVING THE OVEN



The oven should only be moved using a Pallet Jack on a smooth **LEVEL FLOOR**. Use a Forklift or other suitable means if the oven must be moved over an inclined surface.



Never use a Hand Truck to move the oven.



Make sure the Pallet Jack wheels do not contact the underside of the fork pocket when lifting to avoid damaging the stand.

USING A CRANE

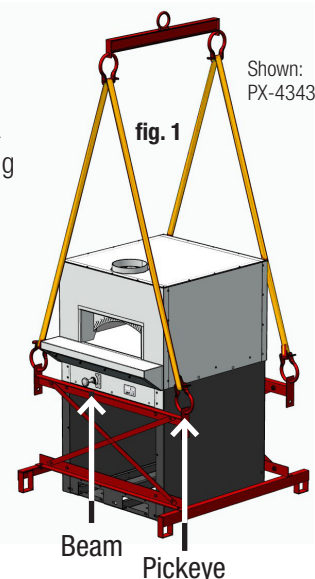
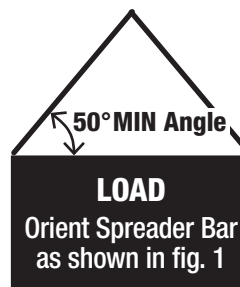
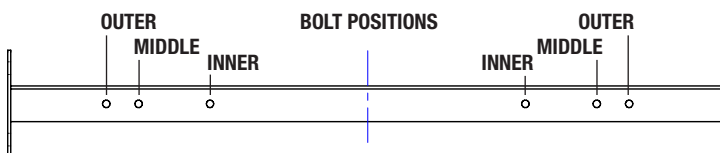
The oven arrives with Pickeys attached. When craning a Wood Stone oven, use a Spreader Bar with a two-legged sling rigged on each end. The spreader bar should be of a sufficient length to keep the sling from contacting the oven, and oriented as shown in fig 1.

PICKEYE CAPACITIES PER BEAM

592 kg (1,300 lbs): Inner holes (PX-3030)

907 kg (2,000 lbs): Middle holes (PX-4343, PX-4355)

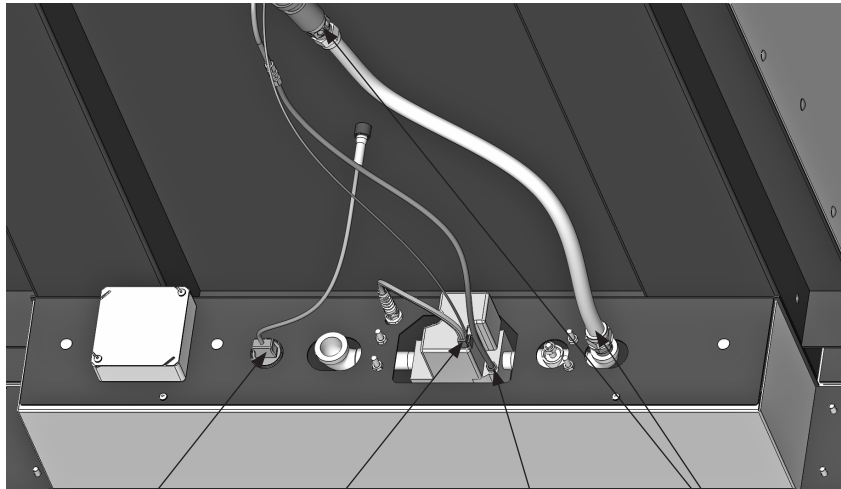
1225 kg (2,700 lbs): Outer holes (PX-4836)





Follow these instructions if you need to disassemble the appliance to move it through a narrow door or passageway. If you also need to tip the oven, see the LIFTING THE OVEN section.

1.



Unplug thermocouple wire and coil it to prevent damage while moving the main body.

Unplug igniter wires and coil them up and tuck them into the burner.

Disconnect pilot tube at the gas valve and at the union. Carefully bend the remaining length of tube from the pilot up inside the burner assembly to protect it.

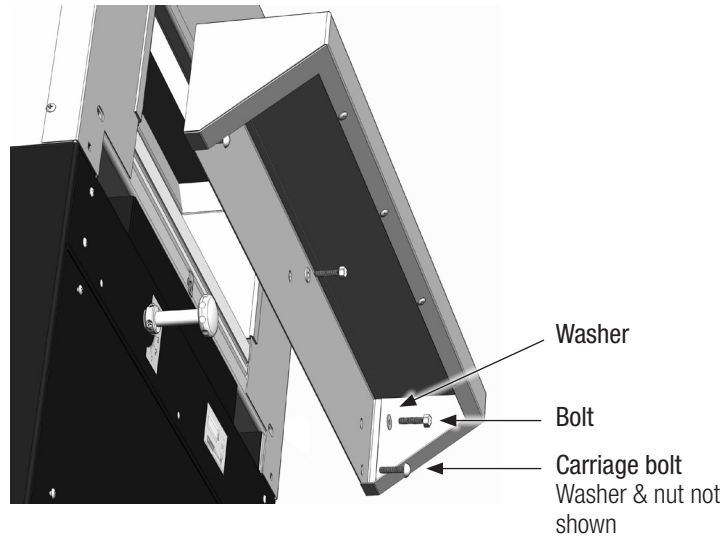
Remove the flexible gas connector.



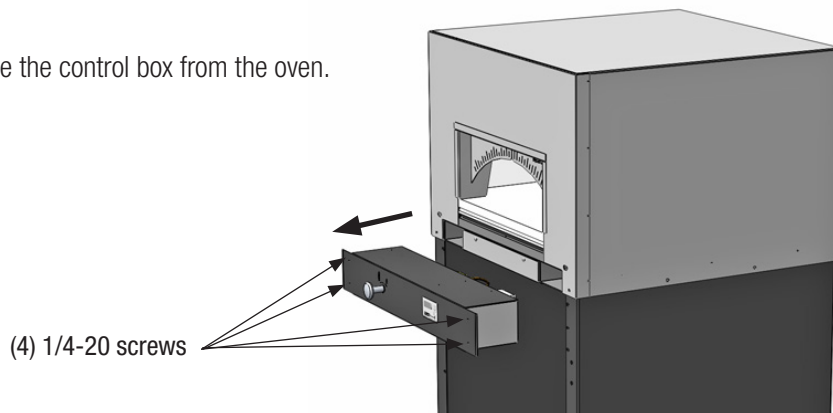
WARNING

If a forklift is not available, or forklift access is not possible, enlist the services of an experienced rigging company to lift, remove and reinstall the oven body.

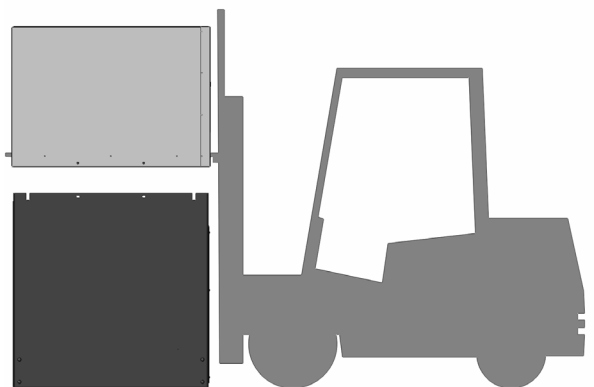
- Remove 3 bolts across the oven face and 2 carriage bolts on either end that hold the mantle in place, and remove the mantle. It may be necessary to cut the silicone at the joint between the mantle and the oven. If the oven has the optional door assembly installed, remove the door assembly.



- Remove the control box from the oven.



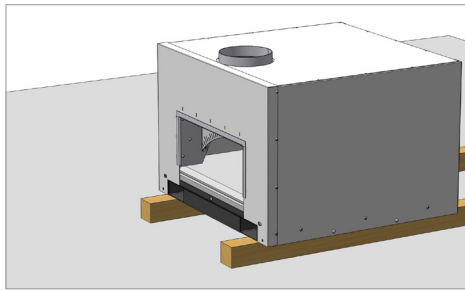
- Using the upper forklift pockets support the oven with a forklift or other suitable device. Remove the bolts that attach the oven body to the stand. Lift the oven off of the stand and place it on blocks as shown in the LIFTING THE OVEN section. Disassemble the stand if necessary. Follow the assembly instructions in the ASSEMBLY section to reassemble the oven.



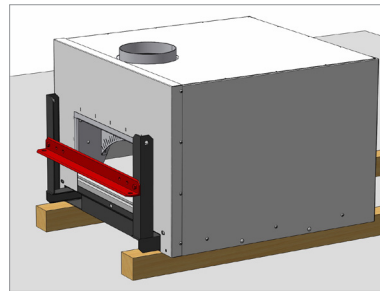


**MOVING A DISASSEMBLED PHOENIX OVEN THROUGH A NARROW DOOR OR PASSAGEWAY
USING THE OPTIONAL TILTING KIT**

An optional Tilting Kit (P/N 000-010-2) is available from Wood Stone to facilitate tipping the oven body onto its back and lifting it. When turned on its back, the upper oven portion of Phoenix models 4343, 4355 and 4836 will be approximately 32 inches wide. This will allow for easier access through small passages. Note: The 3030 is 30" wide without tilting.



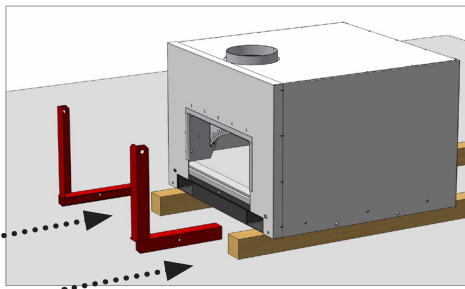
1. Use a forklift or other suitable lifting means to set the oven body onto 4x4" blocks oriented as shown. Refer to DISASSEMBLY section of manual for disassembly instructions.



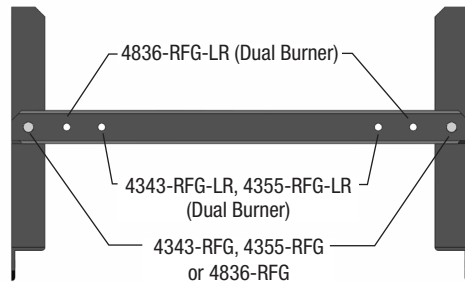
WARNING
If a forklift is not available, or forklift access is not possible, enlist the services of an experienced rigging company to lift, remove and reinstall the oven body.

4. Attach the Crosspiece using the hardware provided. See drawing below for placement of bolts on various models.

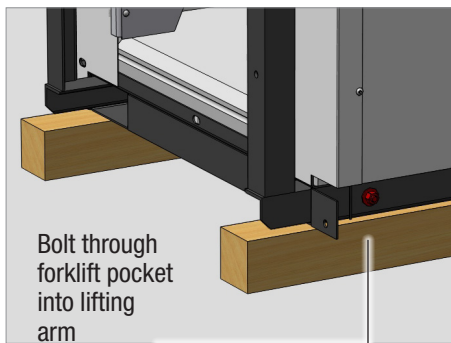
Tighten all Pickeye and Crosspiece bolts.



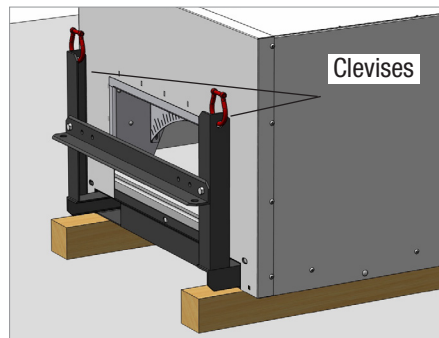
2. Insert the left & right Pickeye Inserts of the Tilting Kit into the forklift pockets from the oven front.



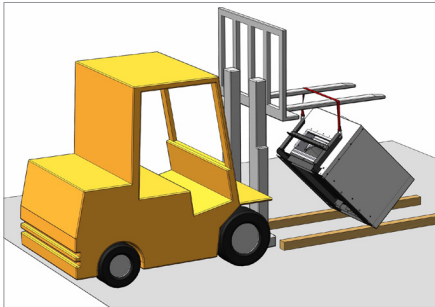
Bolt placement for various models



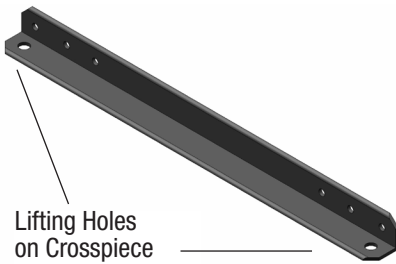
3. Loosely bolt each Pickeye Insert to the forklift pocket as shown in the cut-away view to above.



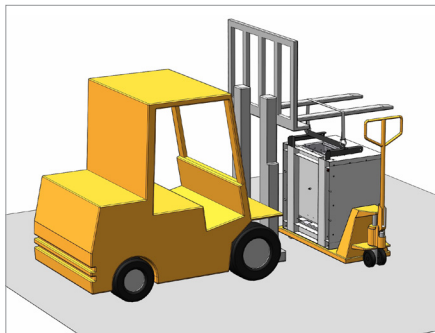
5. Install a clevis in the Top Hole of each Pickeye Insert of the Tilting Kit.



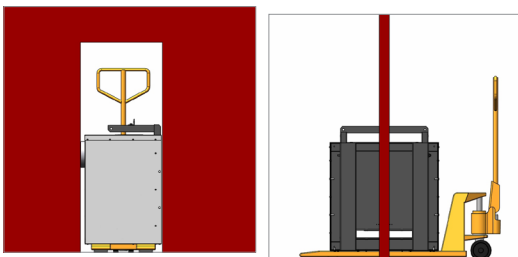
6. Attach strap to the clevises at the top of each Pickeye Insert. Using an appropriate hoist or lift, tilt the oven on its back, onto 4x4" blocks.



7. Change the position of the clevises to the Lifting Holes on the Crosspiece and attach straps.

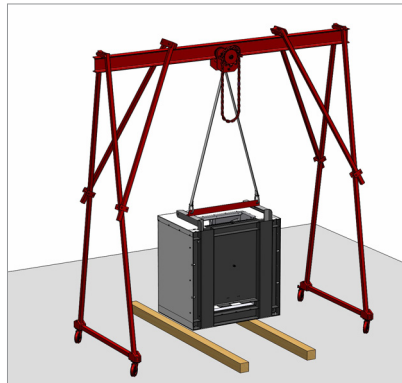


8. Lift the oven straight up and position pallet jack under the oven.
Lower the oven, on its back, onto the pallet jack.



9. The oven can now be moved through a narrow doorway or passageway.

DANGER: Never attempt to move the oven in this manner on any type of incline or sloped floor.



10. Once the oven is on the other side of the passageway, attach strap to the clevises at the Lifting Holes on the Crosspiece and, with a gantry crane, lift the oven straight up.

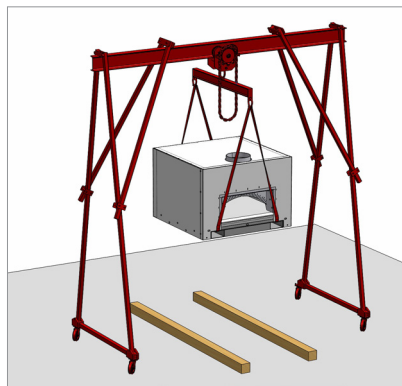
Remove pallet jack.

Lower the oven onto 4x4" blocks.



11. Move strap to the clevises at the top of the Pickeye Inserts and tilt the oven down onto the 4x4" blocks positioned as shown.

Remove the Tilting Kit from the oven.



12. Run straps through forklift pockets and up to a Spreader Bar.

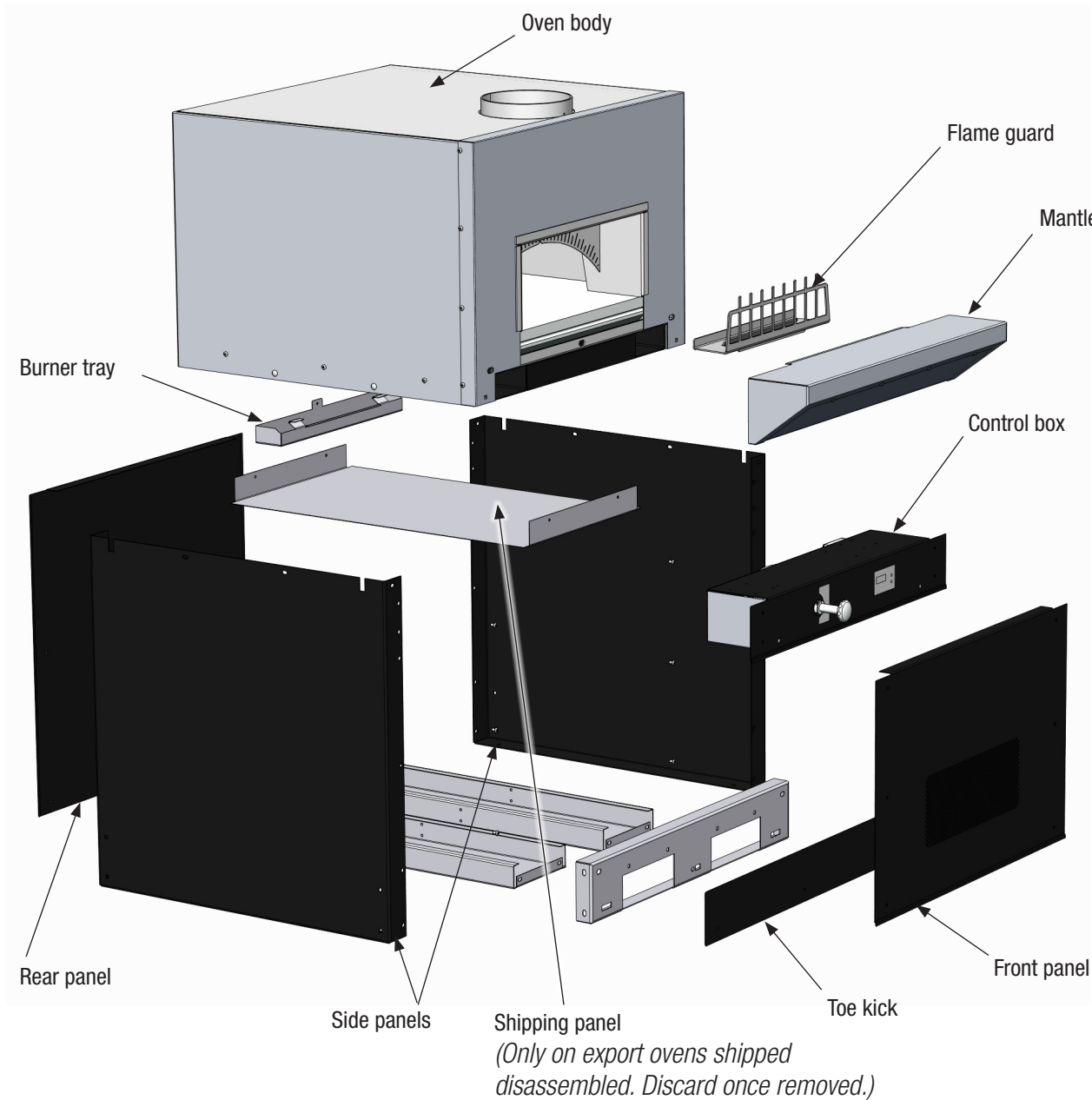
Note: The Spreader Bar must be wide enough so the straps clear the body of the oven.

Lift the oven straight up and remove the 4x4" blocks.



13. Maneuver oven stand into position under the oven using pallet jack.

Lower oven and secure oven to stand with bolts.



ALL PARTS SHOWN BELOW, REAR PANEL INCLUDED, PROVIDED WITH THE OVEN (EXCEPT THE SHIPPING PANEL) MUST BE INSTALLED TO ENSURE THE SAFE AND PROPER OPERATION OF THE OVEN.



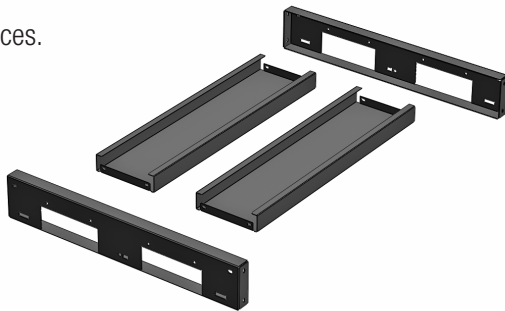
Follow these instructions only if the oven was shipped disassembled, or disassembled to move through a narrow door or passageway.

The oven must be installed on a flat level surface. The weight of the oven is carried by the full perimeter of the oven stand. If it is necessary to shim the oven for leveling purposes, it is critical that the shim material be metal, and that the shims are installed in such a way that the full perimeter of the stand is solidly supported. Any gaps created by shimming between the oven and the floor must be sealed for proper ventilation. **Failure to solidly support the full perimeter of the oven stand can result in costly damage to the oven and will void the warranty.**

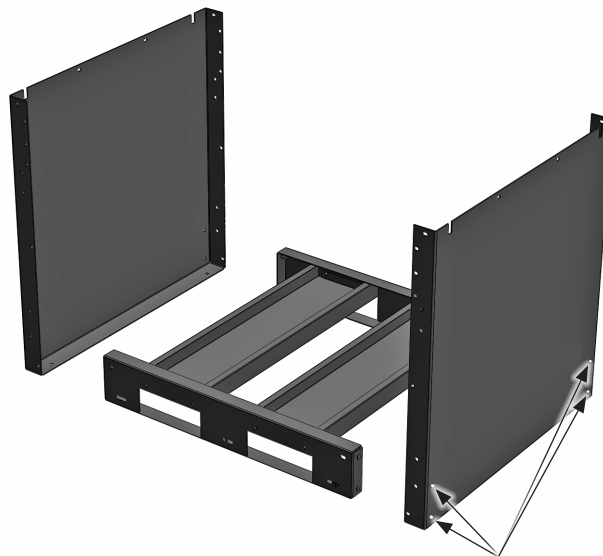
The floor design and construction must be adequate to handle the weight of the oven.

Please see woodstone-corp.com for floor loading information.

1. Lay out pieces.



2. Use the 9.5 mm x 25 mm (3/8" x 1") carriage bolts to assemble the stand. Be sure to use the washers provided and to tighten nuts and bolts securely.



Carriage bolts
9.5 x 25mm (3/8 x 1")
3030 only: 9.5 x 19mm (3/8 x 3/4")

On 3030 models only

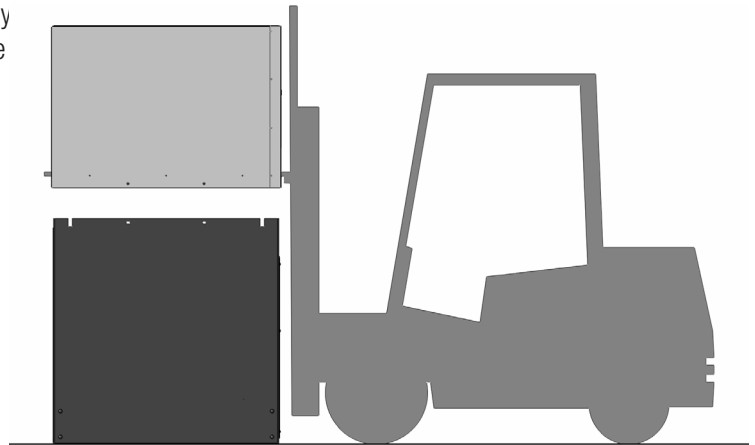
Use 3/8 x 3/4" (9.5 x 19 mm) long carriage bolts instead of the 9.5 x 25 mm (3/8 x 1") long carriage bolts.



WARNING

If a forklift is not available, or forklift access is not possible, enlist the services of an experienced rigging company to lift, remove and reinstall the oven body.

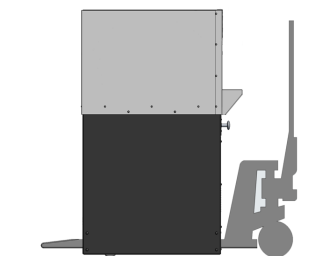
- Using a forklift or other suitable lifting device, carefully lower the body of the oven on to the stand so that the bolt holes line up. While supporting the oven with the lift, install the 10 mm x 25 mm (3/8" x 1") carriage bolts. Use the washers provided and tighten all nuts securely. Be sure to use the forklift pockets when lifting the body of the oven.



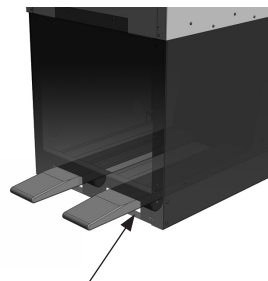
- After the oven body is bolted to the stand, the oven can be moved into place with a pallet jack using the LOWER forklift pockets. If the oven is to be installed against a wall, leave access to the back of the oven until the assembly is completed.

NOTE: THE REAR PANEL OF THE OVEN MUST BE INSTALLED FOR PROPER FUNCTIONING.

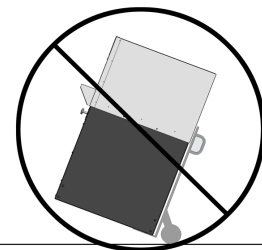
CAUTION: The 3030 model Phoenix weighs approximately 445 kg, the 4343 approximately 953 kg, the 4355 approximately 1134 kg and the 4836 approximately 816 kg. All models are very top-heavy. **If the oven tips, it can cause severe injury or death!** The oven should only be moved in this manner (pallet jack) on a smooth, LEVEL FLOOR. Do not attempt to move the oven with a hand truck. If the oven must be moved over an inclined surface, a forklift or other suitable means should be employed. If the installer does not have the equipment or experience required to move the oven safely, we recommend you secure the services of a qualified rigging company.



The oven should only be moved using a pallet jack on a smooth LEVEL FLOOR. If the oven must be moved over an inclined surface, a forklift or other suitable means should be employed.



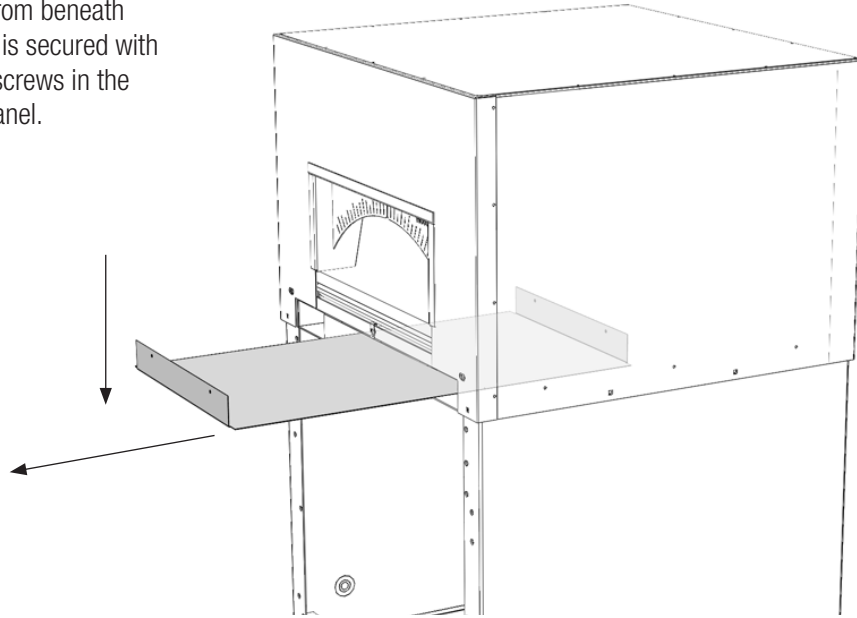
Make sure the pallet jack wheels do not contact the underside of the fork pocket when lifting to avoid damaging the stand.



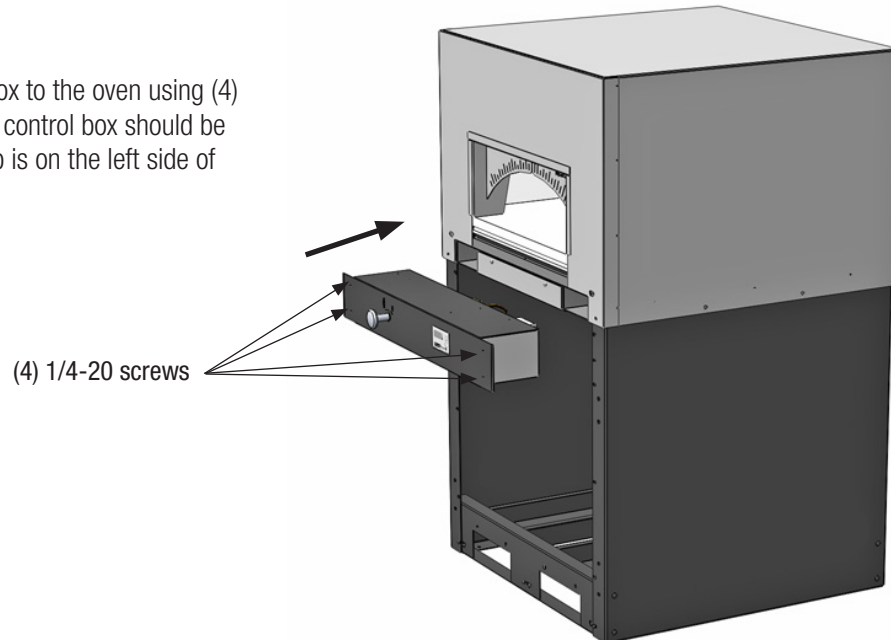
Never attempt to use a hand truck to move the oven.



- 5.** Remove the shipping panel from beneath the oven. The shipping panel is secured with 2 screws in the front, and 2 screws in the back. Discard the shipping panel.



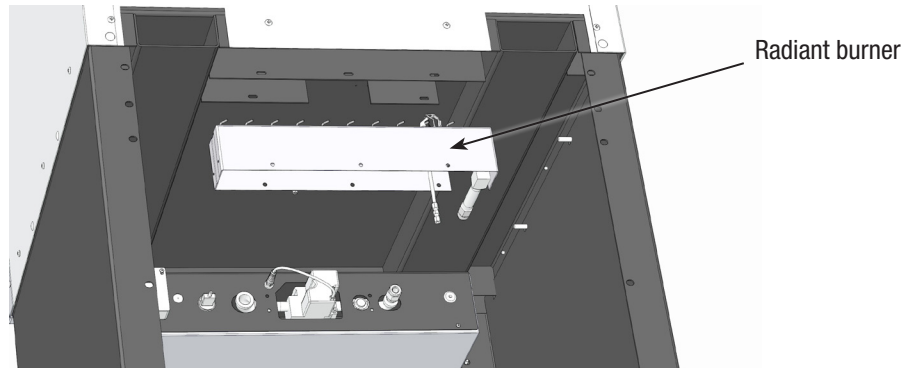
- 6.** Attach the control box to the oven using (4) 1/4-20 screws. The control box should be oriented so the knob is on the left side of the control box.



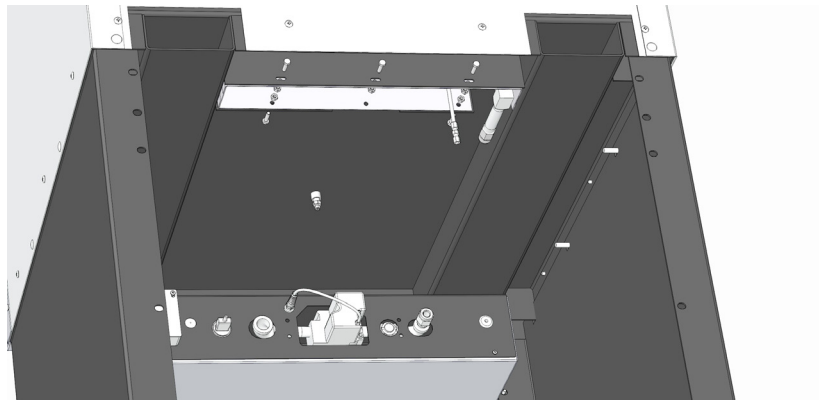


7. Install burner assembly

- A.** Position burner as shown. Note position of gas connection to burner.



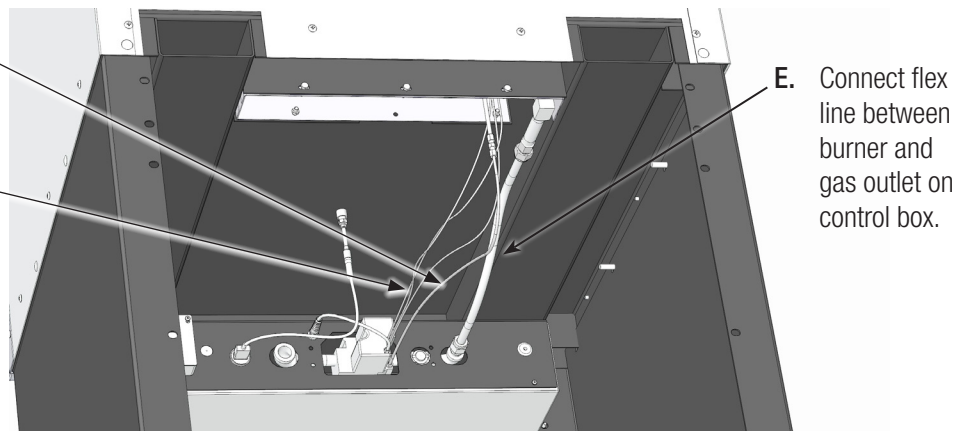
- B.** Raise burner up into burner slot. Secure with the 1/4-20 bolts provided. Tighten nuts securely.



- C.** Connect pilot tube to gas valve.

- D.** Plug igniter wire harness into gas valve.

Refer to control box image on the following page for additional detail.

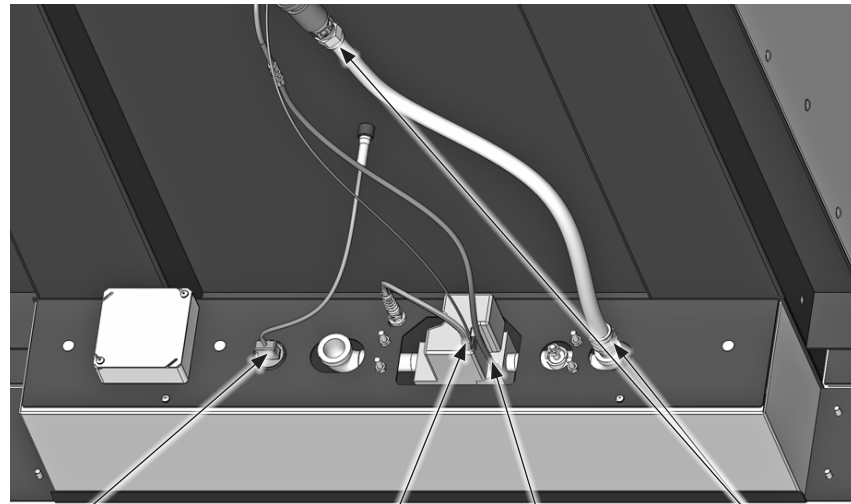


- E.** Connect flex line between burner and gas outlet on control box.

NOTE: Once oven is assembled and installed, be sure to leak-check all gas connections.



- 8.** Connect burner assembly components and thermocouple at the rear of the control box.



Plug in thermocouple wire here.

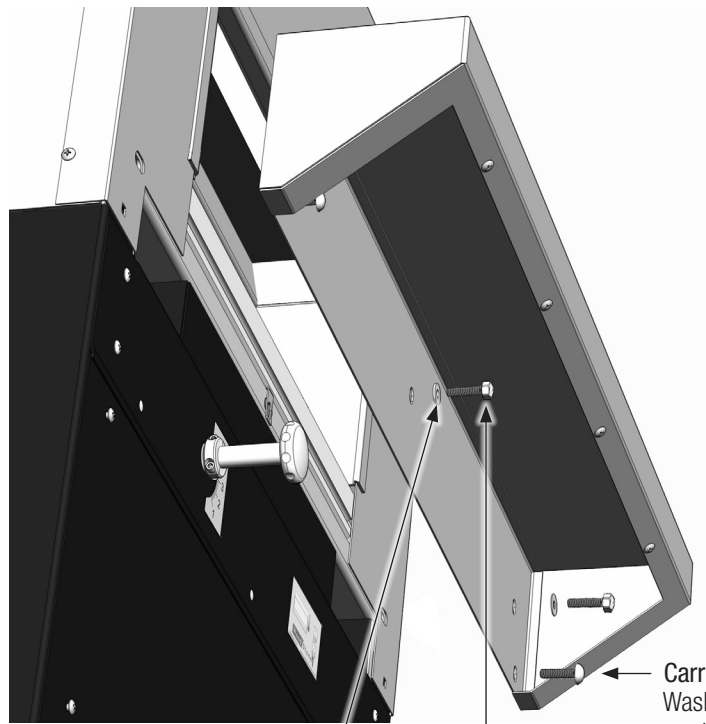
SV-2 gas valve. Plug in igniter wires from the burner here.

Attach flexible pilot tube here. Tighten the fitting firmly.

Use flexible gas pipe provided to connect the burner.

- 9.** Install the mantle. Fasten using 3 bolts and 2 carriage bolts (see illustration).

If the oven has been supplied with a granite mantle, affix the granite slab to the mounting bracket using a generous amount of the adhesive provided.



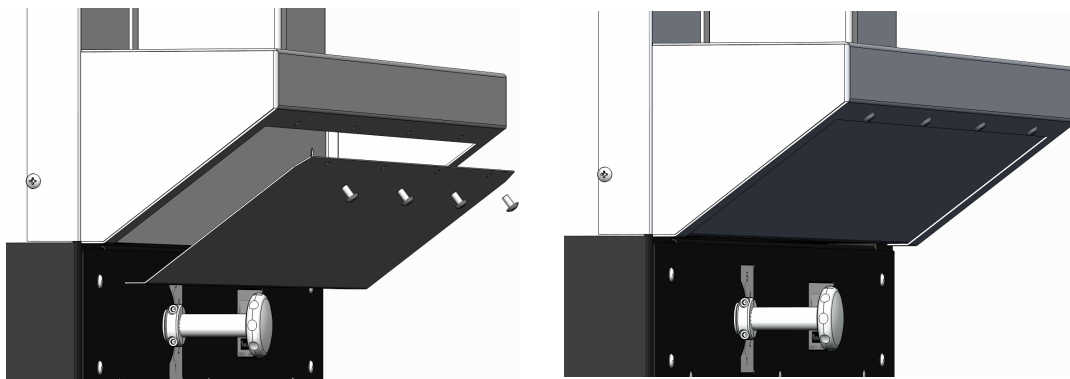
Washer

Bolt

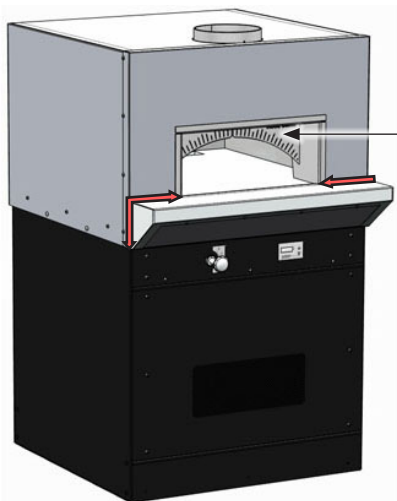
Carriage bolt
Washer & nut
not shown



10. Place the mantle faceplate cover over the open area under the top of the mantle. Install the cover plate using the screws provided (3 for PX-3030 and 4 for PX-4343, 4836 or PX-4355)

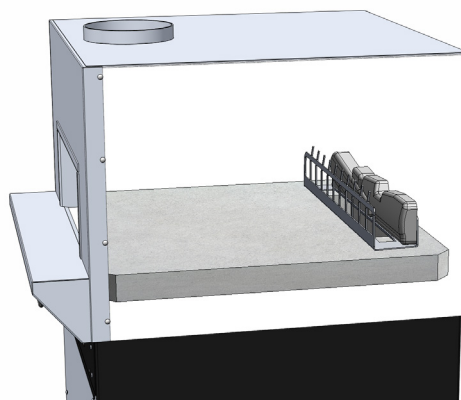


11. Run a bead of silicone (provided) along visible joints where the mantle and the oven intersect—in the front and on both sides (right side not shown).



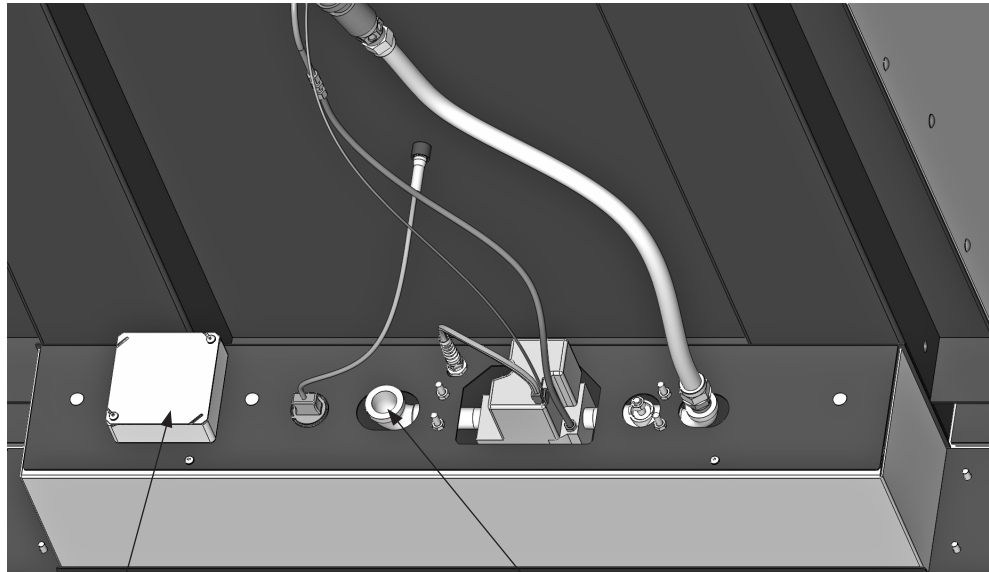
Oven Arches
DO NOT REMOVE
Removal will affect structural integrity, heat retention, operation and **void the Warranty.**

12. Reinstall the burner guard, and optional log set if supplied. The lower tab of the guard fits into the front of the burner opening. The log set pieces fit onto the studs on the burner guard, behind the opening in the guard, so the logs sit at the rear of the burner opening.





- 13.** Make utility connections at the rear of the control box. Gas and electrical connections must comply with all relevant local and national codes, and in a manner acceptable to the authority having jurisdiction.



Make the electrical connection to the terminals in this junction box. Refer to the equipment data plate for correct voltage.

Connect the incoming gas supply to the 3/4 inch FNPT gas inlet.

Knockouts are provided on the back of the oven stand for the incoming gas and electrical supplies. If necessary, holes may be drilled in the back panel for the incoming gas and electrical. Gas and electrical supplies should be routed in such a way that they do not interfere with the removal of the oven burner, or block the access to the space under the oven for service. The area beneath the burner needs to be kept clear of conduit and piping to allow for removal of the burner for service.

THE REAR PANEL MUST BE INSTALLED FOR THE OVEN TO FUNCTION PROPERLY.

A 3/4-inch full-flow gas shut-off valve should be installed on the gas supply near the oven in such a way that it is readily accessible.

ELECTRICAL CONNECTION

This appliance must be electrically grounded in accordance with local code, or in the absence of local code, with the National Electrical Code, ANSI/NFPA 70, or the Canadian Electrical Code, CSA C22.2, as applicable.

An Electrical Diagram is provided inside the bottom cover of the Control Box, and at the end of this manual.



- 14.** Checking the burner manifold pressure. The burner manifold pressure has been set at the factory, however it should be checked by the installer. The pressure should be checked at the outlet tap on the Honeywell gas valve, located on the back of the control box. Once the manometer is connected, turn the oven on and use the knob on the oven to adjust the flame to its maximum height. Then check the manifold pressure.

This oven requires no modifications or adjustments for use at high altitudes.

The installation must conform with local codes, or in the absence of local codes with the National Fuel Gas Code, ANSI Z223.1 or the Natural Gas Installation Code, CAN/CGA-B149.1, as applicable.

SV-2 is the gas control valve that operates the interior Radiant Burner. The manifold pressure is checked at the outlet port on the SV-2 gas valve.

The burner manifold pressures have been adjusted and tested at the factory. A variety of factors can influence these pressures, so be sure to test the individual burner manifold pressures and adjust the valves as necessary to achieve the required pressures.

NOTE: The gas valves are shipped in the **ON** position.

FACTORY SPECIFIED INDIVIDUAL BURNER MANIFOLD PRESSURES FOR WS-PX MODELS

Model	Natural Gas (NG)	Propane (LP)	Propane (HLP)
PX-3030	9.3 mbar 3.75" w.c.	17.4 mbar 7" w.c.	17.4 mbar 7" w.c.
PX-4343, PX-4355, PX-4836	11.2 mbar 4.5" w.c.	17.4 mbar 7" w.c.	13.0 mbar 5.25" w.c.

GAS CONNECTION

Phoenix ovens are equipped with a 19mm (3/4") FNPT gas connection. Have a licensed gas installer provide the hook-up and test all fittings and pipe connections for leaks. Use approved gas leak detectors (soap solutions or equivalent) over and around the fittings and pipe connections. **DO NOT USE A FLAME TO TEST FOR LEAKS!**

All gas piping up to the oven must have a minimum inside diameter of 19mm (3/4"), including all fittings and shut off valves, which should be of the full flow type.

Wood Stone recommends that the Phoenix be equipped with a manual, individual shutoff valve, located between the oven and the main gas supply, and that this shutoff valve (supplied by others) be left readily accessible. Wood Stone also recommends that inspection and maintenance of the burners and gas piping connections of this appliance be performed at regularly scheduled intervals and only by professional gas appliance service agencies.

MAXIMUM HOURLY INPUT RATES FOR WS-PX-RFG MODELS

Model	Natural Gas (NG)	Propane (LP)	Propane (HLP)
PX-3030	16.1 kWh 55,000 BTU/hr	14.0 kWh 48,000 BTU/hr	16.1 kWh 55,000 BTU/hr
PX-4343, PX-4355, PX-4836	23.3 kWh 80,500 BTU/hr	23.3 kWh 80,500 BTU/hr	23.3 kWh 80,500 BTU/hr

**Maximum inlet gas pressure must not exceed 34 mbar (14" W.C. or 1/2 psi)****GAS INLET PRESSURE**

For ovens running on natural gas, an inlet pressure of 17.5–25mbar (7 to 10" W.C.) is recommended to ensure optimum oven performance. Incoming gas pressure below this range will affect oven performance, the lower the pressure the greater the negative impact. If the gas supply pressure is greater than 34mbar (14" W.C. or 1/2 psi), an external regulator, supplied by others, is REQUIRED to lower the gas pressure to the acceptable range. Issues caused by low or high gas pressure are installation issues, and will not be covered under the Warranty.

For ovens running on Propane (LP or HLP), the recommended inlet pressure to ensure optimum oven performance is 25–30mbar (10 to 12" W.C.) Incoming gas pressure below this range will affect oven performance, the lower the pressure the greater the negative impact. If the gas supply pressure is greater than 34mbar (14" W.C. or 1/2 psi), an external regulator, supplied by others, is REQUIRED to lower the gas pressure to the acceptable range. Issues caused by low or high gas pressure are installation issues, and will not be covered under the Warranty.

For all installations, follow best practices for proper gas line pipe sizing for the line serving the oven. To insure proper operation, all gas piping and fittings leading up to the oven should have an inside diameter equal to or greater than that of the oven gas connection. Also make sure that a readily accessible shut off valve (supplied by others) is installed near the oven, and in accordance with all applicable codes. Shut off valves must be of the full-flow type, and not introduce any restriction into the gas line.

The connection to the oven should be hard-piped whenever feasible. If this is not possible, use a properly sized flexible connector approved for this application. When using a flexible connector make sure that its design does not present any reduction in pipe diameter or other restriction. Oven issues caused by improper pipe sizing, improper shut off valves, restrictive connectors, or any other deficiency in the gas supply design or installation will not be covered under the oven warranty.

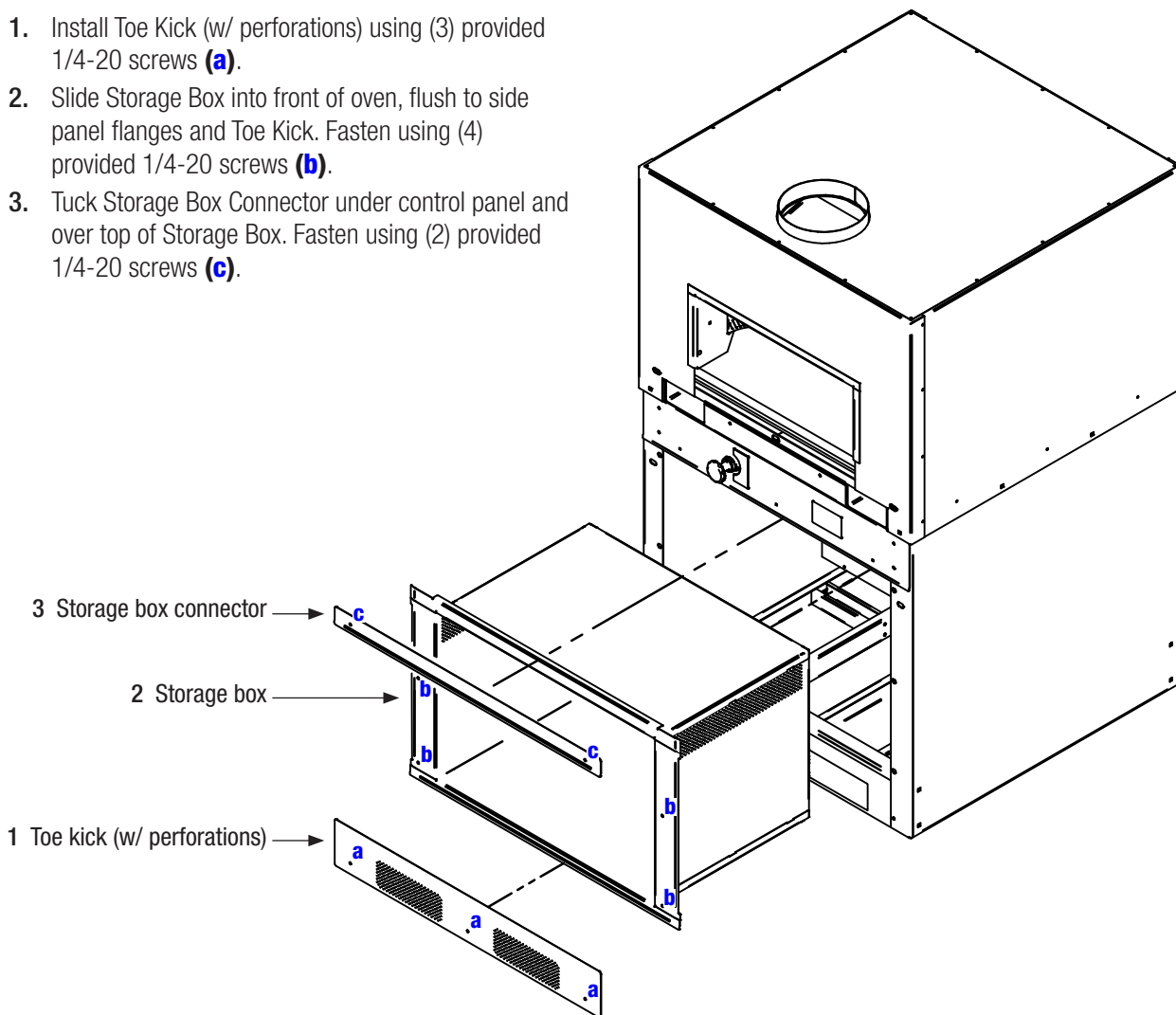
15. Install the rear panel, front panel and toe kick using the 1/4-20 screws provided. The front panel on the oven must not be covered, so as to allow access for service to the oven components. The oven should be bolted to the floor using the holes provided at the base of the stand.

NOTE: REAR PANEL MUST BE INSTALLED FOR THE PROPER FUNCTIONING OF THE OVEN.



**INSTALLATION OF OPTIONAL STORAGE BOX ON PX-4343, 4836 AND PX-4355 MODELS
(DOES NOT INCLUDE PX-3030)**

1. Install Toe Kick (w/ perforations) using (3) provided 1/4-20 screws **(a)**.
2. Slide Storage Box into front of oven, flush to side panel flanges and Toe Kick. Fasten using (4) provided 1/4-20 screws **(b)**.
3. Tuck Storage Box Connector under control panel and over top of Storage Box. Fasten using (2) provided 1/4-20 screws **(c)**.



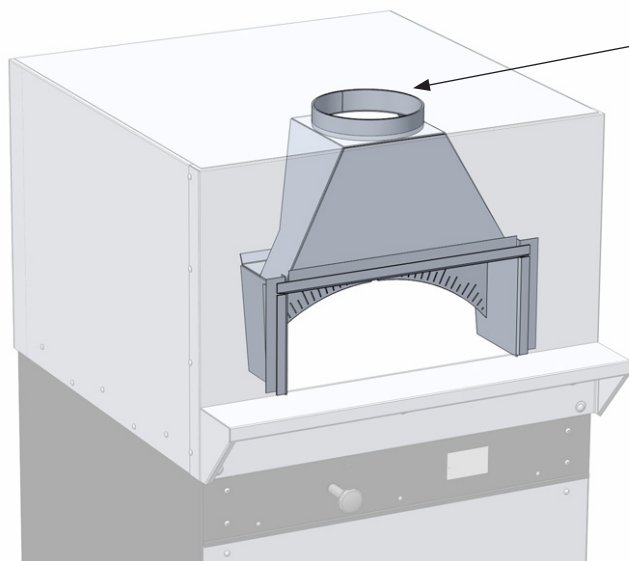


All of the combustion products and cooking vapors from the Phoenix 4343 and 4355 vent through a 25.4 cm (10-inch) diameter flue collar located on top of the oven, at the front of the unit. The Phoenix 3030 vents through a 20.3 mm (8-inch) flue collar. The oven can be connected to a power ventilated chimney, or placed under a hood. All gas fired models that include a (-W) in the model number are listed to allow the burning of up to 1.4 Kg (3 lbs.) of wood per hour for flavor, but **MUST** be vented as **SOLID FUEL** equipment.

The following are the manufacturer’s recommendations for venting Wood Stone Bistro Line ovens. It is never appropriate to use “B vent” in any part of an exhaust system connected to a Wood Stone oven. All duct material must be manufactured to the specifications of a grease duct. Due to the possibility of sparks entering the duct, exhaust systems serving **SOLID FUEL** equipment **SHOULD NOT** be combined with exhaust systems serving other (non-solid fuel) cooking equipment. The venting system must be inspected and cleaned at least every 3 months, and at least monthly with wood fired applications.

THERE ARE TWO OPTIONS:

1. A grease rated duct connected directly to the oven flue collar and provided with a power ventilator suitable for restaurant appliance exhaust and rated for operation at a minimum of 149 °C (300 °F), 232 °C (450 °F) for units burning solid fuel. Use a stack or curb mounted fan. Wood Stone does not recommend the use of an in-line fan. A static pressure of 0.25 mbar (-0.1 inches) water column is necessary at the oven flue collar to ensure proper flue temperatures at the fan. The airflow required to attain this static pressure will depend on the configuration of your particular installation but will be approximately 400 CFM. The exhaust fan must be turned on any time the oven is running. See instructions for optional interlocking of the oven to the fan at the end of this manual.
2. Wood Stone offers eyebrow-type hoods designed specifically for Wood Stone ovens by Gaylord Industries.



Flue collar
Note: Flue gas temperatures at the oven flow can reach 260 °C (500 °F)

Wood Stone ovens should be vented in accordance with NFPA 96 and/or all pertinent national, regional and local codes concerning such appliances; check venting plans with the authority having jurisdiction before proceeding with installation.



CONTROLLER FUNCTIONS

Hearth Temperature

The floor (hearth) temperature will be displayed when the oven is turned on. Sensor is embedded 1" below hearth surface. Display will read "LO" when the temperature is below 30 °C (100 °F).

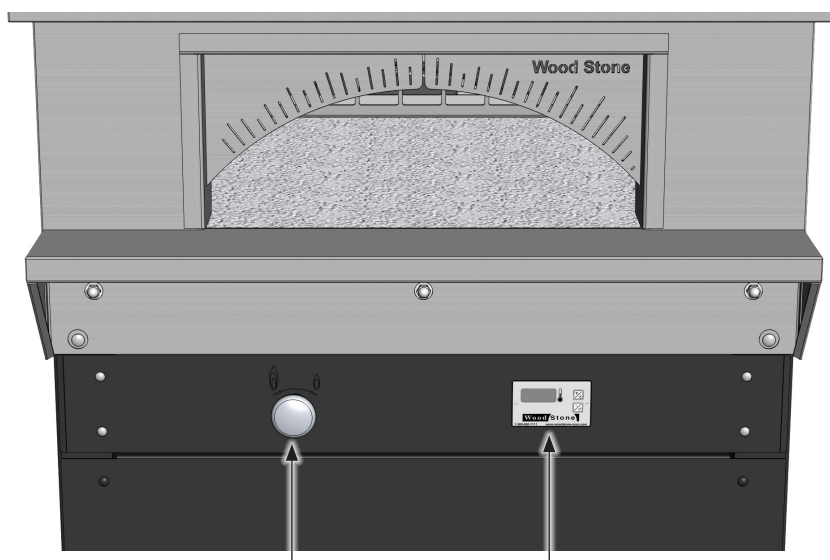


Temperature units

Press and hold to switch between Fahrenheit and Celsius.

ON/OFF button

Press to turn oven on and off.



Flame Height Control Knob

Use this knob to raise/lower the flame to control the oven temperature.

Controller



INITIAL OVEN START-UP

IMPORTANT: If at any time you feel that either or both of the burners are not operating properly, turn the oven off and call for service. Before servicing, disconnect the electrical supply at the breaker and turn off the gas supply at the appliance’s individual gas shutoff valve. In the event of a power failure, no attempt should be made to operate the oven.

Your oven was cured at the factory. However in the course of shipment, storage on site, etc. the ceramic materials will have absorbed moisture. It is critical that the initial oven Start-Up Procedure below be followed to ensure that this moisture is driven from the ceramic in a controlled fashion. This will minimize cracking and prevent damage to the oven that could otherwise occur by bringing the oven to temperature rapidly the first time it is used.

Occasionally, through the course of the initial start-up, as the oven heats up it is possible that you will see some water dripping from the sides of the oven as moisture is driven out of the ceramic. This is not a defect in the oven, and once the oven has been fully saturated with heat, the moisture will be driven fully from the oven.

This initial oven start-up procedure need only be followed the first time the oven is fired and/or if the oven has not been used for an extended period of time.

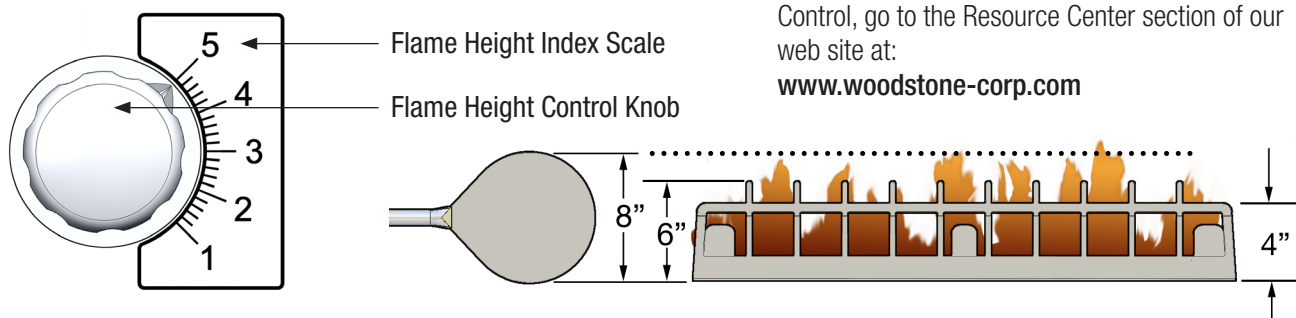
FIRST DAY

1. Make sure exhaust fan is properly wired and interlocked to the appliance.
2. Make sure main gas supply is ON (valve parallel with gas line).
3. Push I/O button on Controller. The exhaust fan should come on as well. It may take a while for the gas to purge all the air from the gas lines.
4. Once the burner ignites, make sure the flame is at its lowest setting and allow the appliance to operate at this setting for about 1 hour.
5. After 1 hour, using the Flame Height Control Knob, raise Radiant Flame to “2” on the Flame Height Index Scale.
6. After 4 hours a raise to “3” on the Flame Height Index Scale and allow the appliance to run until it reaches a temperature of 260 °C (500 °F). This will take approximately 3–4 hours.

NOTE: Small “crazing” cracks will occur with normal heating and cooling. They will not affect the performance or durability of the oven. If cracks of 3 mm (1/8”) wide or more develop, contact Wood Stone for evaluation.

FLAME HEIGHT INDICATOR

Comprised of two parts



For more information regarding Flame Height Control, go to the Resource Center section of our web site at:
www.woodstone-corp.com



DAILY OVEN OPERATION

The floor temperature is continuously displayed by the Controller. This reading is being taken by a thermocouple about 25 mm (1 in) below the floor surface, so the actual surface temperature may be somewhat different, and is best measured using a non-contact (IR) thermometer.

END OF THE DAY

Push I/O button on the Controller. All gas will go OFF, even the pilots. When the oven is turned OFF, use the Night Heat Retention Door to help retain heat in the oven. The night door is placed into the oven doorway. **NOTE:** This option is for heat retention *only*, and should only be used when the oven is turned OFF.

BEGINNING OF THE DAY

Make sure the night door is removed. Push I/O button and turn the Radiant Flame to its highest setting using the Flame Height Control Knob. Heat-up times will vary, the longer your oven is off the cooler it will get. On average your Wood Stone oven depending on size and configuration should heat up between 43–65 °C (110–150 °F) an hour with Radiant Flame all the way up. Use the Flame Height Control Knob to control the amount of heat in the oven.

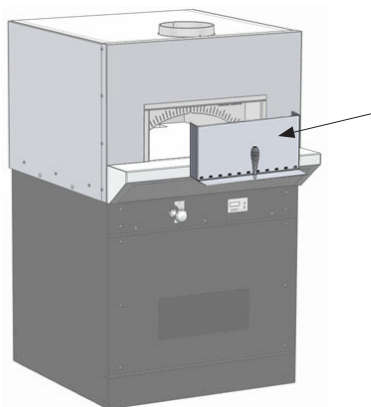
See woodstone-corp.com for detailed information on cooking in your Wood Stone oven.

OVEN INTERIOR

Wood Stone recommends the use of long-handled brushes for sweeping up surface debris that will accumulate on the floor of the oven during use. Use a natural fiber brush—always brushing away from the radiant burner well. For deeper cleaning, use a brass bristled brush. The oven floor can be then cleaned with a damp rag wrapped around the brass bristled brush head. (Wood Stone offers an assortment of oven brushes available through your dealer. Specification sheets may be viewed on the Wood Stone website under Tools & Accessories.)

NEVER PLACE ANYTHING IN OR ABOVE THE RADIANT FLAME

Gas fired models with a “-W” in the model number are approved for the burning of up to 6.8 kg (15 lbs.) of wood per hour when properly vented as a solid fuel appliance. Build the fire on the side of the oven, 150–250 mm (6–10”) away from the doorway of the oven or use a smoker tray. Never use the Radiant Flame as a fire starter, and keep the fire away from the Radiant Flame. Keep all ash and debris away from the Radiant Flame. See next page for ash disposal guidelines.



NIGHT HEAT RETENTION DOOR

NOTE: Never operate this oven with the (optional) stainless steel Night Heat Retention Door in place. This option is for heat retention *only*, and should only be used when the oven is turned OFF.



DO NOT POUR OR SPRAY LIQUIDS ONTO THE OVEN DECK OR INTO THE OVEN INTERIOR AS THIS CAN DAMAGE THE CERAMIC AND WILL VOID THE WARRANTY.

There is a stainless steel burner guard to prevent food from falling on and thereby obstructing the gas orifices of the Radiant Flame. If food gets into the Radiant Flame well and the flame is visibly obstructed, turn the oven off immediately, and call for service.

DO NOT USE THE RADIANT BURNER WELL AS A DUMP FOR DEBRIS OR TRASH INCINERATION; MAKE EVERY ATTEMPT TO KEEP DEBRIS FROM DROPPING INTO THE WELL.

OVEN EXTERIOR

All painted and stainless steel surfaces should be cleaned as necessary using a mild detergent, hot water and a soft cloth or sponge. Stubborn residues may be removed using a nonmetallic scouring pad. When scouring stainless steel surfaces, scrub with the grain of the metal to prevent scratching.

GAS-FIRED OVEN THERMAL CLEANING

If a Wood Stone gas-fired oven is operated at low temperatures below 274 °C (525 °F), you may notice a buildup on the oven floor. If you operate the oven below 232 °C (450 °F), you may also notice some buildup on the interior walls and/or ceiling of the oven. To remove any buildup that has accumulated inside of the oven, simply turn the Radiant Flame to its highest setting. Monitor the hearth floor temperature displayed on the Controller. When the floor reaches 343 °C (650 °F), lower the flame slightly so as to maintain the oven floor temperature near 343 °C (650 °F) for about an hour. Heavy accumulations may require more time. Heavy accumulations on the floor may require some additional scraping with a utility peel or a floor scraping tool. Once the oven appears clean, allow the oven to return to normal operating temperatures and continue normal operation.

Never use any type of chemical cleaner on the oven ceramic. This will damage the oven and void the warranty.

BURNER TRAY

At 6–12 month intervals, depending on the amount of usage, the burner tray beneath the oven should be removed and emptied of any accumulated debris. To remove: unscrew the wing nut at the back of the burner tray. See location in the EXPLODED PARTS DIAGRAM section. There should be very little debris in the tray if the oven is being operated properly.

WOOD AND ASH

Wood should be stored and handled in accordance with the recommendations outlined in NFPA 96. The interior floor and dome of the oven do not require creosote or soot removal. The oven flue and exhaust system will require inspection and cleaning. The exhaust system should be inspected and cleaned per the manufacturer's and or local code official's recommendations.

Dispose of ash per the following: place ashes into a metal container with a tight fitting lid. The closed container of ashes should be placed on a non-combustible floor or on the ground, well away from all combustible materials, pending final disposal. They should be retained in the closed container until all the cinders have thoroughly cooled. Ashes can then be disposed of safely.



PROBLEM	CAUSE/SOLUTION
Controller will not turn on	<ol style="list-style-type: none"> 1. Incoming power to oven turned off. Check circuit breaker for circuit supplying the oven. Check that any wall switches external to the oven that control oven power are turned on. Check that any interlocks external to the oven are turned on. 2. If controller still does not turn on, please contact Wood Stone for assistance.
Flame does not light	<ol style="list-style-type: none"> 1. Check gas is turned on to the oven, and gas shut-off valve is turned all the way on. 2. Debris in burner. Burner may require cleaning. Contact your distributor for assistance. 3. Damaged igniter or gas valve. Contact your dealer for assistance. If the oven is being started for the first time: <ul style="list-style-type: none"> - Has all air been bled from the gas line? - Is the switch on the SV-2 and SV-3 valve in the ON position? <p>NOTE: Valves are locate on the back of the control box, beneath the oven.</p>
Flame cuts out	<ol style="list-style-type: none"> 1. Debris in burner. 2. Oven is being run with the night door in place. Night Heat Retention Door must be removed whenever the oven is turned on. 3. Wind blowing into the oven, or other venting issues.
Display reads "OPEN"	<ol style="list-style-type: none"> 1. Thermocouple is not plugged into control box. 2. Damaged thermocouple. Contact your distributor for assistance.



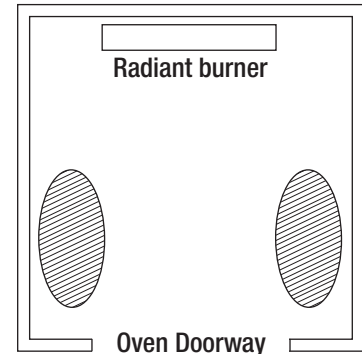
NOTE: Only RFG-W models are intended to allow the additional burning of wood. All gas-fired models that include a “-W” in the model number are listed to allow the burning of up to 6.8 kg (15 lbs) of wood per hour for flavor, but **MUST** be vented as SOLID FUEL equipment. **Do not over fire the oven.**


The fire should be placed to one side of the oven chamber (either right or left as shown in diagram at right), 150–250 mm (6-10 inches) away from the doorway of the oven. This is often described as the 9 o'clock or 3 o'clock position. Burn a maximum of 6.8 kg (15 lbs) of wood per hour. **If flames spill out of the doorway, or the oven temperature exceeds 455 °C (850 °F), you are over firing the oven.**

Make every effort to keep ash and other debris out of the radiant burner well. Do not use the radiant burner as a “backstop” when shoveling ash and/or coals out of the oven. **Burner problems resulting from debris or ash in the burner well will not be covered by the oven warranty.** Using the oven floor brush and ash shovel, move debris only toward the oven doorway and dispose of safely.

NOTE: Ovens burning solid fuel require a more frequent maintenance schedule.

WOOD STONE RECOMMENDS CLEANING AND INSPECTION AT LEAST MONTHLY ON ANY VENTILATION SYSTEM SERVING SOLID FUEL EQUIPMENT.



 Wood fire location options (either left or right side)

BUILDING & MAINTAINING THE FIRE

Use only seasoned heavy hardwoods with a moisture content of 15–20%. Use of soft woods, such as pine, cedar, hemlock etc., or wet “green” wood, will cause a build-up of creosote residue throughout the exhaust system. (See the FUELWOOD FACTS section of this manual, or consult Wood Stone for information on what types of wood can be used for oven fuel.)

The fire should be ignited a couple of hours before the oven needs to be at cooking temperature.

1. Stack 3 or 4 small pieces of wood in a conical tepee shape on top of any live coals towards the back of the fire box. Ignite a fire starter and place it under the wood. Once the oven is being used daily, the fire can be ignited using still glowing coals from the previous day's fire.
2. Once the fire has established, add additional wood to total about 1.4 kg (3 lbs) maximum. Do not toss or throw wood against back or side walls of oven—this may void the warranty.
3. At the end of the work day, put removable (optional) stainless steel Heat Retention Night Doors into door opening to hold heat in the oven overnight.

DO NOT USE THE RADIANT BURNER TO IGNITE WOOD OR SUPPORT THE WOOD FIRE.



As with all commercial cooking equipment exhaust systems, a regular inspection and cleaning schedule is needed to prevent the possibility of a hood or duct fire. The frequency of inspection and cleaning will depend on hours of use and type and quality of wood used as fuel. Only use hardwood species dried to a moisture content of 20% or less.

CREOSOTE: FORMATION AND NEED FOR REMOVAL

When wood is burned slowly, it produces tar and other organic vapors, which combine with expelled moisture to form creosote. The creosote vapors condense in the relatively cool oven flue of a slow-burning fire. As a result, creosote residue accumulates in the duct. When ignited, this creosote makes an extremely hot fire.

The duct serving this oven should be inspected at least twice a month during the first two months of operation to establish a rate of creosote buildup and necessary cleaning schedule. If creosote or soot has accumulated, it should be removed to reduce the risk of a flue fire.

The interior floor and dome of the oven do not require creosote or soot removal. The oven flue and exhaust system will require inspection and cleaning. The exhaust system must be inspected and cleaned per the manufacturer's and or local code official's recommendations. **Wood Stone recommends cleaning and inspection at least monthly on any ventilation system serving solid fuel equipment.**

DO NOT USE THE RADIANT BURNER TO IGNITE WOOD OR SUPPORT THE WOOD FIRE.

Wood should be stored and handled in accordance with the recommendations outlined in NFPA 96.

DISPOSE OF ASH PER THE FOLLOWING:

1. Place ashes into a metal container with a tight fitting lid.
2. Place the closed container of ashes on a non-combustible floor or on the ground.
3. Place the closed container of ashes well away from all combustible materials, pending final disposal.
4. Retain the ashes in the closed container until all the cinders have thoroughly cooled. Ashes can then be disposed of safely.

Wood Stone's optional Double
Compartment Ash Dolly. View the spec
sheet at woodstone-corp.com in the
Tools and Accessories section.





WHAT TYPE OF WOOD SHOULD YOU USE TO FIRE YOUR SOLID FUEL COOKING EQUIPMENT?

The answer to this question depends on several considerations: geographical location, availability and relative cost of various fuelwood species and individual preferences regarding the flavor qualities of various wood types. There are a wide variety of good fuelwood species in all geographic locations. Each species of wood has different characteristics. The table below should help weigh the pros and cons of various types of wood. Wood from conifers (pine trees) is not recommended due to its poor fuelwood characteristics (low weight, low-med heat, poor coaling, high sparking and high residual creosote).

Wood Type	Heat	Lb/Cord	Lighting	Coaling	Sparks	Fragrance*
Alder	Med-Low	2500	Fair	Good	Moderate	Slight
Apple	High-Med	4400	Fair	Excellent	Few	Excellent
Ash	High	3500	Fairly Difficult	Good-Excellent	Few	Slight
Beech	High	3800	Difficult	Excellent	Few	Good
Birch (white)	Medium	3000	Easy	Good	Moderate	Slight
Cherry	Medium	2000	Fair	Excellent	Few	Excellent
Elm	High	2300	Very Difficult	Good	Very Few	Fair
Hickory	Very High	4200	Fairly Difficult	Excellent	Moderate	Excellent
Maple (red)	High-Med	3200	Fairly Difficult	Excellent	Few	Good
Maple (sugar)	High	3700	Difficult	Excellent	Few	Good
Mesquite	Very High		Very Difficult	Excellent	Many	Excellent
Oak (live)	Very High	4600	Very Difficult	Excellent	Few	Fair
Oak (red)	High	3700	Difficult	Excellent	Few	Fair
Oak (white)	Very High	4200	Fairly Difficult	Excellent	Few	Fair
Pecan	High		Fair	Good	Few	Good

* Cord/Stere conversion

1 cord = 3.6 steres
1 stere = .27 cords

** The desirability of various fragrances is largely a matter of personal preference.

Whichever type of wood you use, **MAKE SURE YOU KNOW THE MOISTURE CONTENT.** Properly seasoned wood contains 20% moisture or less. If wood contains more than 20% moisture, it should not be accepted for use. Wood should be stored off the ground and out of the rain in an environment that allows good air circulation so that the drying process can continue. Wet wood is the most common operational difficulty associated with wood-fired cooking equipment. Wood Stone's optional Mini-Ligno E Wood Moisture Meter can save you from paying for water when you thought you were paying for wood (see the Tools & Accessories section of woodstone-corp.com, contact your dealer or Wood Stone).

Calculate your approximate monthly, daily and hourly fuel-wood costs using the following formulas:

The cost of well-seasoned hardwood varies greatly with geographical location.

$$\text{Cost per month} = A \times C \quad \text{Cost per day} = \frac{A \times C}{30} \quad \text{Cost per hour} = \frac{\left(\frac{A \times C}{30}\right)}{12 \text{ hr day}}$$

- A = Cost/cord (from wood supplier)
- B = kg/cord (from above table)
- C = Cords/mth (from experience, or call Wood Stone for an estimate)

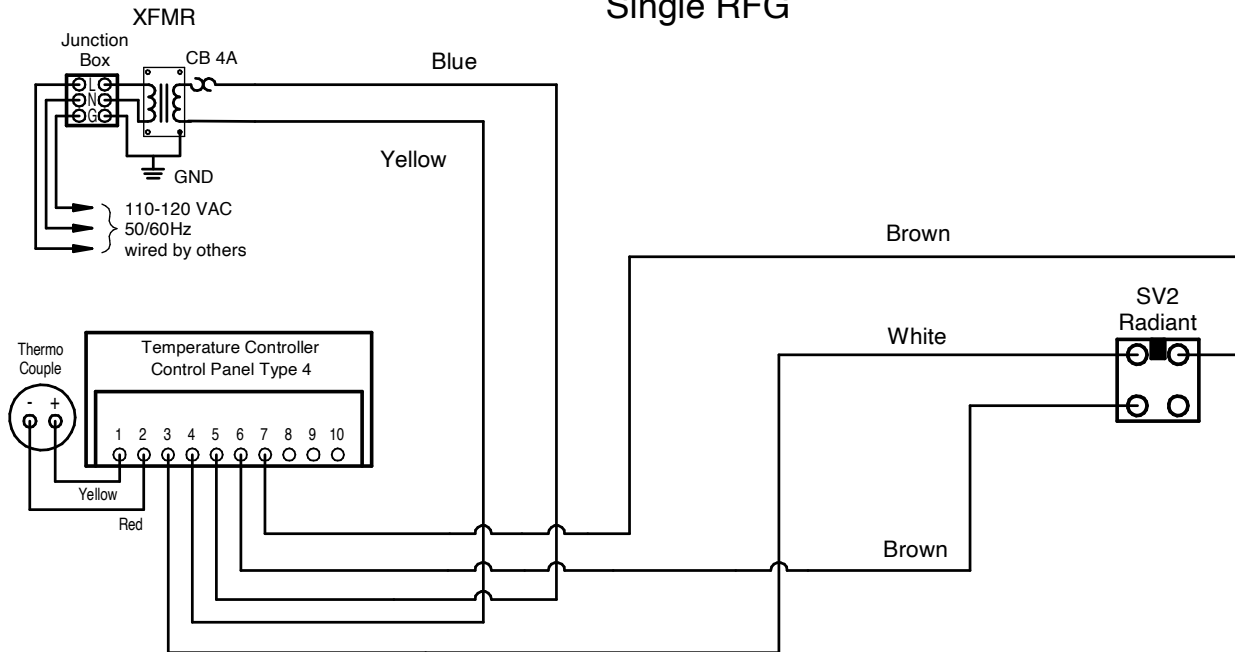
When burned, a kilo of any wood releases approximately 4.2 kWh (14300 BTU/hr), so it is better to compare the price of wood by the pound rather than by the cord. A full cord of wood measures 1.2 m x 1.2 m x 1.2 m when stacked.

$$\text{Cost per lb} = \frac{A}{B}$$



PHOENIX 100-120 VAC MODELS
MODELS PRODUCED AFTER APRIL 2005

Single RFG



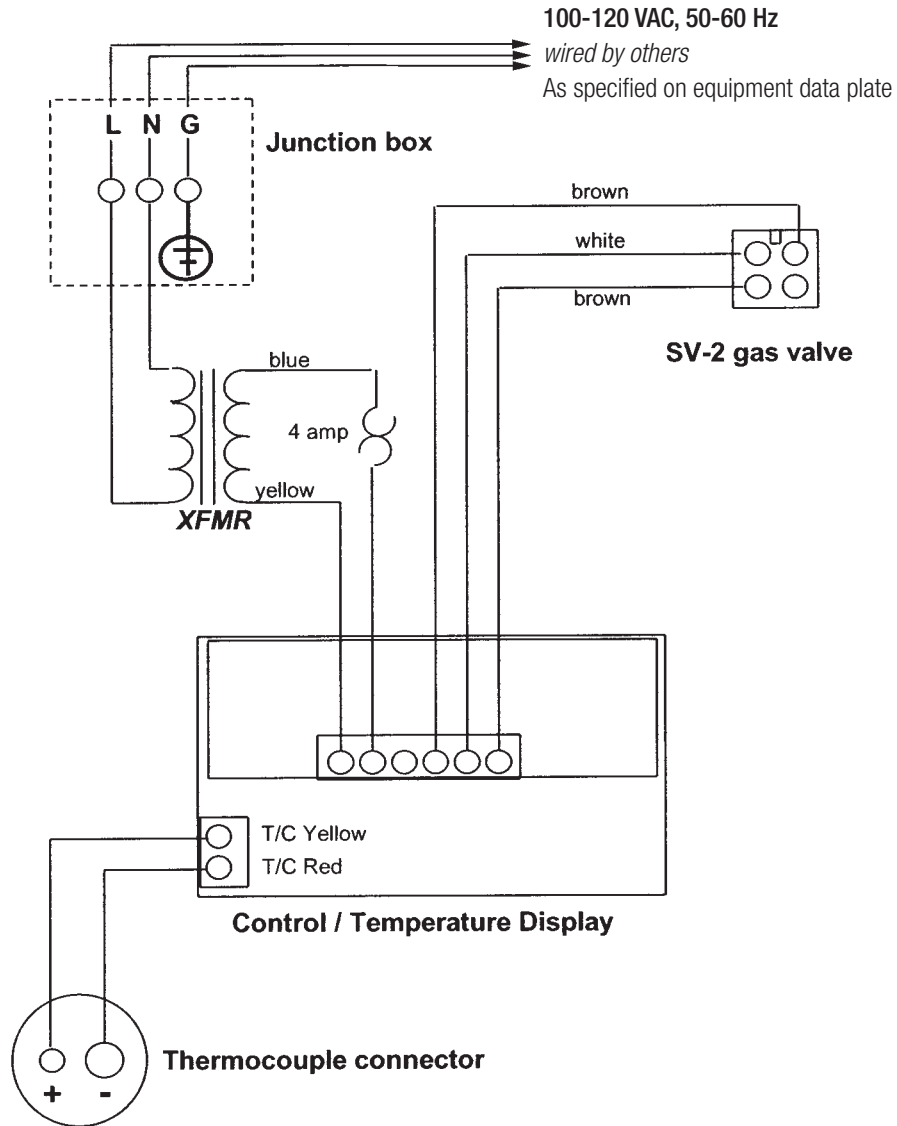
Bellingham, WA +1(360)650-1111 www.woodstone-corp.com

DIAG #: WD070 Rev. 1
DATE: 2/2/2017

See equipment data plate for correct voltage of your oven.



PHOENIX 100-120 VAC MODELS
MODELS PRODUCED BEFORE APRIL 2005

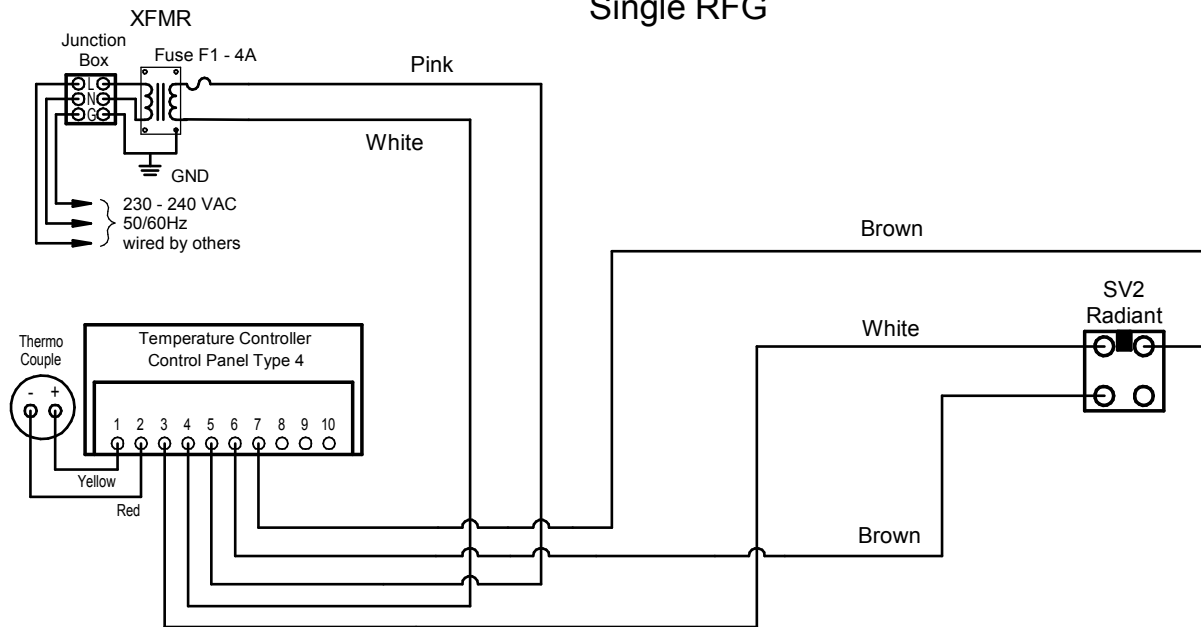


See equipment data plate for correct voltage of your oven.



PHOENIX 200-240 VAC MODELS
MODELS PRODUCED AFTER APRIL 2005

Single RFG



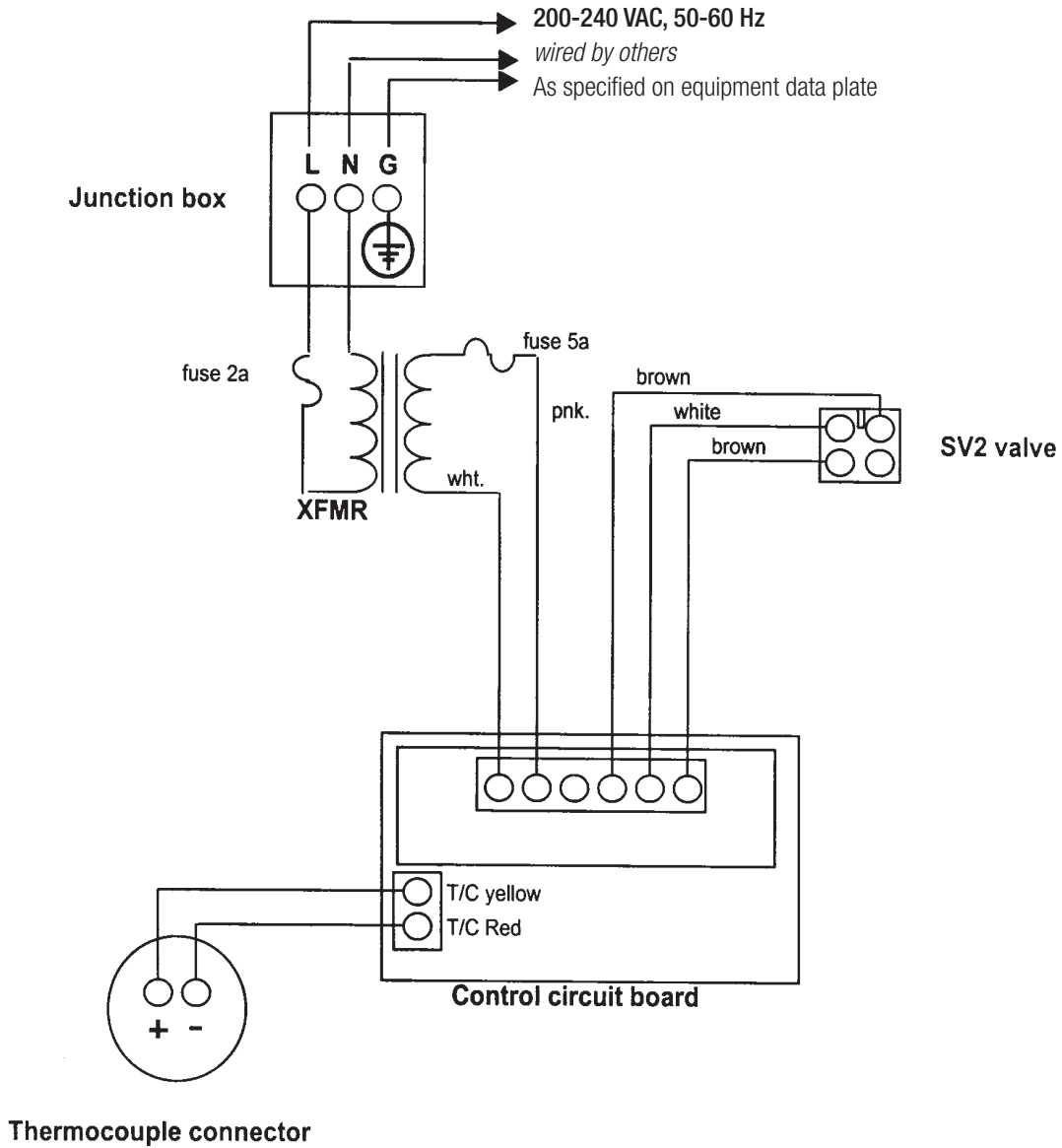
Bellingham, WA +1(360)650-1111 www.woodstone-corp.com

DIAG #: WD077 Rev. 2
DATE: 12/12/2018

See equipment data plate for correct voltage of your oven.



PHOENIX 200-240 VAC MODELS
MODELS PRODUCED **BEFORE** APRIL 2005



See equipment data plate for correct voltage of your oven.



WOOD STONE WARRANTS ITS EQUIPMENT TO THE ORIGINAL PURCHASER AGAINST DEFECTS IN MATERIAL OR MANUFACTURE FOR A PERIOD OF ONE YEAR FROM THE ORIGINAL DATE OF PURCHASE, SUBJECT TO THE FOLLOWING EXCLUSIONS AND LIMITATIONS.

CONTACT YOUR LOCAL DISTRIBUTOR FOR WARRANTY SERVICE

EXCLUSIONS

The warranties provided by Wood Stone do not apply in the following instances:

1. In the event that the equipment is improperly installed. Proper installation is the responsibility of the installer; proper installation procedures are prescribed by the Wood Stone Installation and Operation Manual.
2. In the event the equipment is improperly or inadequately maintained. Proper maintenance is the responsibility of the user; proper maintenance procedures are prescribed in the Wood Stone Installation and Operation Manual. Burner problems resulting from debris or ash in the burner well will not be covered by the warranty. Call with questions regarding maintenance frequency.
3. In the event that the failure or malfunction of the appliance or any part thereof is caused by abnormal or improper use or is otherwise not attributable to defect in material or manufacture.
4. In the event that the appliance, by whatever cause, has been materially altered from the condition in which it left the factory.
5. In the event that the rating plate has been removed, altered or obliterated.
6. On parts that would be normally worn or replaced under normal conditions.
7. Normal cracking due to expansion and contraction stress relief in the ceramic firebox.
8. In wood-fired equipment configurations, in the event that pressed log products of any type have been burned in the equipment.
9. In coal-fired oven configurations, in the event any type of coal other than anthracite coal fuel has been used.
10. Damage resulting from the use of chemical cleaning products in the oven, as well as any damage from liquids or chemicals, including water, being poured or sprayed into the oven.

If any oral statements have been made regarding this appliance, such statements do not constitute warranties and are not part of the contract of sale. This Limited Warranty constitutes the complete, final and exclusive statement with regard to warranties.

THIS LIMITED WARRANTY IS EXCLUSIVE AND IN LIEU OF ALL OTHER WARRANTIES WHETHER WRITTEN, ORAL OR IMPLIED, INCLUDING, BUT NOT LIMITED TO, ANY WARRANTY OF MERCHANTABILITY OR FITNESS FOR PARTICULAR PURPOSE OR WARRANTY AGAINST LATENT DEFECTS.

LIMITATIONS OF LIABILITY

In the event of warranty claim or otherwise, the sole obligation of Wood Stone shall be the repair and/or replacement, at the option of Wood Stone, of the appliance or component or part thereof. Such repair or replacement shall be at the expense of Wood Stone with the exception of travel over 100 miles or two hours, overtime, and holiday charges which shall be at the expense of the purchaser. Any repair or replacement under this warranty does not constitute an extension of the original warranty for any period of the appliance or for any component or part thereof. Parts to be replaced under this warranty will be repaired or replaced at the option of Wood Stone with new or functionally operative parts. The liability of Wood Stone on any claim of any kind, including claims based on warranty, expressed or implied, contract, negligence, strict liability or any other theories shall be solely and exclusively the repair or replacement of the product as stated herein, and such liability shall not include, and purchaser specifically renounces any rights to recover, special, incidental, consequential or other damages of any kind whatsoever, including, but not limited to, injuries to persons or damage to property, loss of profits or anticipated profits, or loss of use of the product.

TO SECURE WARRANTY SERVICE

If you claim a defect covered by this Limited Warranty, contact your local distributor.

WOOD STONE

WOOD STONE CORPORATION

1801 W. Bakerview Rd.

Bellingham, WA 98226 USA

Tel +1.360.650.1111

Fax +1.360.650.1166

www.woodstone-corp.com

An ongoing program of product improvement may require us to change specifications without notice.