



OVEN-MOUNTED EXHAUST HOODS

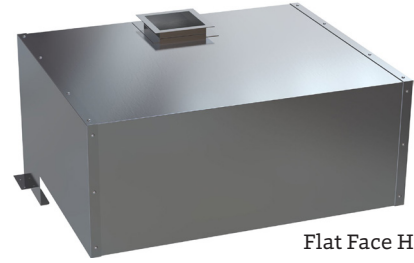
WOOD STONE

The SG-BDL-O-WS is an ETL Listed (to the UL710 Standard) Type 1 Oven-Mounted Exhaust Hood manufactured by Gaylord Industries specifically for Wood Stone ovens. The eyebrow-type hood mounts directly on top of the oven. It is designed to capture all the exhaust from the oven flue collar and draw warm air away from the front of the oven. The hood comes complete with a pre-drilled mounting flange and all the hardware necessary for mounting.

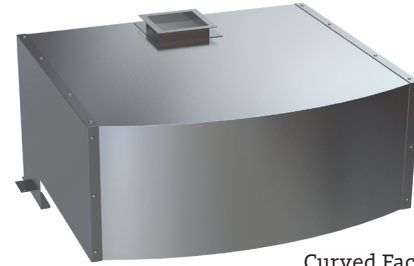
Hoods are available in flat face or curved face design. Solid brass trim is available on either design. All hoods are pre-piped for ANSUL R-102 fire suppression.

The hood is constructed of 18-gauge stainless steel and is equipped with baffle-type filters for removal of grease from the exhaust stream. The Wood Stone SG-BDL-O-WS is listed by Intertek and NSF. Its construction meets the requirements of NFPA-96 as well as those of all national mechanical codes. Spark arrestor filters are available as an option and must be used in all solid fuel installations.

The hood can be used in conjunction with an Exodraft exhaust fan (see previous page) to create an effective and responsive exhaust system. All duct work beyond the ventilator duct take-off collar is to be provided and installed by others in accordance with applicable codes.



Flat Face Hood



Curved Face Hood

AVAILABLE OPTIONS

SPARK ARRESTOR FILTERS

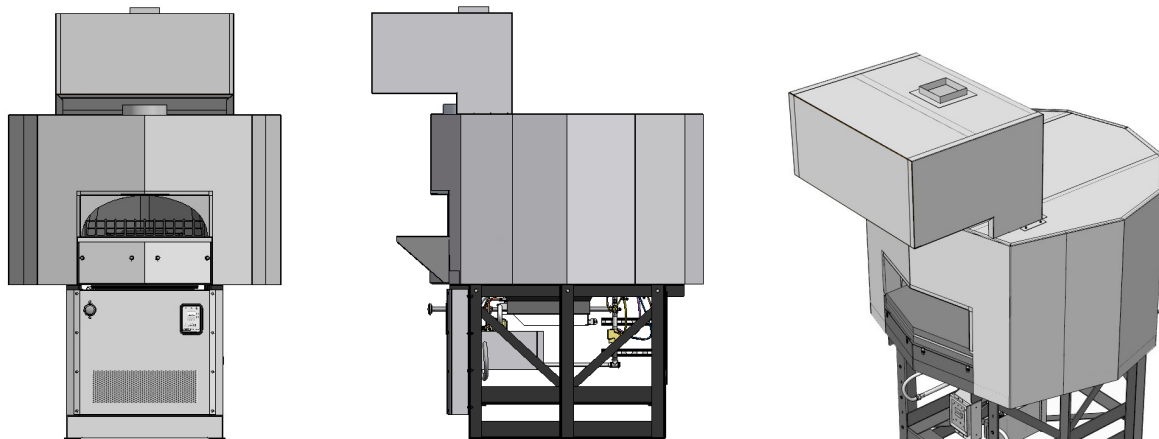
Hood filters required for solid fuel applications.

AUTOSTART

The Gaylord Autostart System is designed to automatically start the exhaust fan if cooking starts without the exhaust fan switch being turned ON. The Autostart utilizes a hood-mounted thermostat and accompanying controller. This system is meant to be installed in conjunction with your conventional fan ON/OFF switch (by others).

BALANCING DAMPER

Manually set balancing dampers, used for balancing in multi-hood, shared duct installations.



Exhaust hood mounted on a Mountain Series oven.



t. 360.650.1111
tf. 800.988.8103
f. 360.650.1166

Wood Stone Corporation
1801 W. Bakerview Rd.
Bellingham, WA 98226 USA
info@woodstone-corp.com
woodstone-corp.com

REVISED: SPRING 2024

An ongoing program of product improvement may require us to change specifications without notice.





See below for exact dimensions and installation specifications of Gaylord Industries Exhaust Hoods for Bistro Line, Mountain Series and Fire Deck Series oven models.

Oven Model Number

	WS-BL-3030	WS-BL-4343/ 4355/4836	WS-MS-4	WS-RV-7880	WS-MS-5	WS-MS-6	WS-MS-7	WS-FD-6045	WS-FD-8645	WS-FD-9660/ 11260	WS-FD-9690/ 11275/11290
Hood Width	29.5"	42.5"	30"	47"	47"	47"	54"	50"	72"	72"	72"
Hood Height	29"	29.5"	24"	24"	24"	24"	24"	24"	25"	25"	25"
DEPTH	Flat Face	29"	33"	33"	38"	38"	38"	33"	33"	33"	33"
	Curved Face	33"	37"	37"	42"	42"	42"	37"	37"	37"	37"
Required CFM	440	625	450	685	685	685	700	730	1050	1050	1050
Duct Size	6 x 6"	7 x 7"	6 x 6"	7.5 x 7.5"	7.5 x 7.5"	7.5 x 7.5"	7.5 x 7.5"	7.5 x 7.5"	9 x 9"	9 x 9"	9 x 9"
Min. Overhang	8"	8"	8"	8"	8"	8"	8"	8"	8"	8"	8"
Static Pressure	0.80"	0.80"	0.80"	0.80"	0.80"	0.80"	0.80"	0.80"	0.80"	0.80"	0.80"
Weight in lbs.	125	175	125	175	175	175	225	225	350	350	350



t. 360.650.1111
 tf. 800.988.8103
 f. 360.650.1166

Wood Stone Corporation
 1801 W. Bakerview Rd.
 Bellingham, WA 98226 USA
info@woodstone-corp.com
woodstone-corp.com

REVISED: SPRING 2024

An ongoing program of product improvement may require us to change specifications without notice.