

RICE COOKER ELECTRIC 208 V MODEL



Job Name	
Model	WS-ERC-60
Item#	



WS-ERC-60 model shown.

FEATURES

- Cooks Rice & Grains in Convenient 1/3 Pans
- Consistent Quality Cook After Cook
- Cooks up to Three 1/3 Pans Independently for Flexibility
- Cooks Both Brown and White Rice at the Same Time
- High Volume Production: will provide 60 cups of cooked white rice in 33 minutes

The Electric Rice Cooker is a versatile, high-performance solution that cooks rice and grains in standard third-size hotel pans. It can cook up to 3 separate pans independently and consistently, in any combination of white or brown rice. This flexibility enables the operator to prepare smaller batches of rice when needed, reducing waste and maintaining quality. By cooking in 1/3 pans, rice can go directly to the serving line or a holding cabinet, without having to transfer the product from a bulky cooking vessel. By reducing prep time and cleanup time, the operator will realize substantial labor savings with this unit.

Each 1/3 pan will produce 20 cups of cooked rice. Typical cook times for a full batch are around 33 minutes. Times can vary depending on the exact type of rice, individual preference, and altitude. The WS-ERC-60 model shares the same size and footprint as the gas-fired WS-GRC-60 model. The easy-to-use controls also remain unchanged. The exterior and cooking zone are made from stainless steel for long life and durability. The Rice Cooker is designed and built by Wood Stone, in Bellingham, Washington, to provide many years of high-quality, consistent rice production with the flexibility required in today's competitive restaurant environment.



t. 360.650.1111
tf. 800.988.8103
f. 360.650.1166

Wood Stone Corporation
1801 W. Bakerview Rd.
Bellingham, WA 98226 USA
info@woodstone-corp.com
woodstone-corp.com

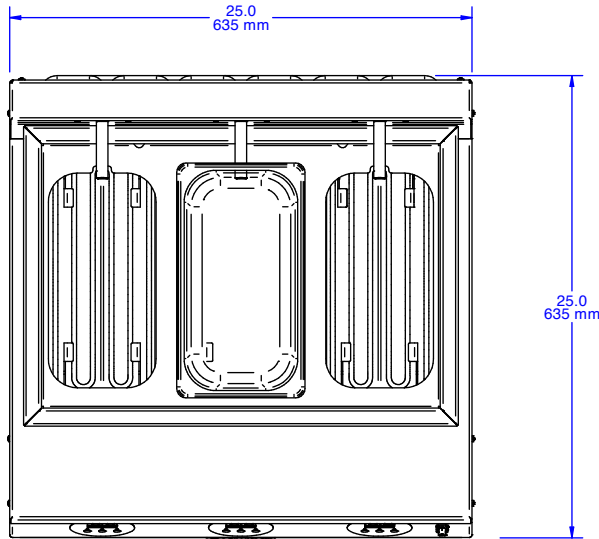
REVISED: WINTER 2026

An ongoing program of product improvement may require us to change specifications without notice.

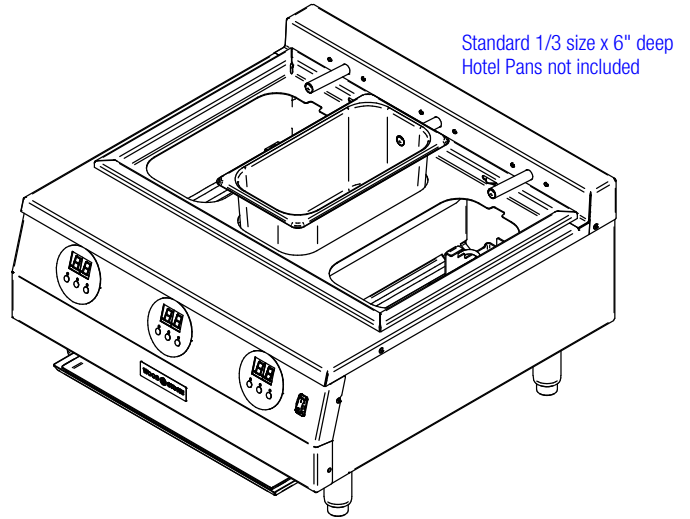


RICE COOKER
ELECTRIC
208 V MODEL

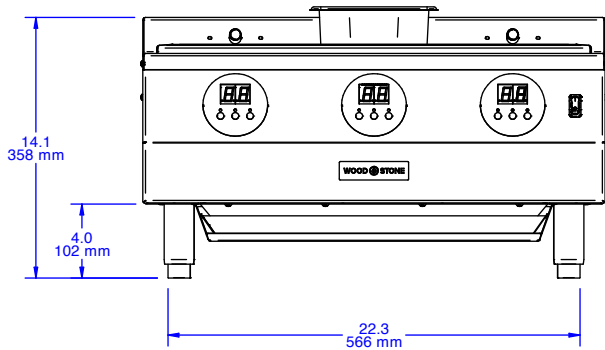
PLAN VIEW
With Pans Removed



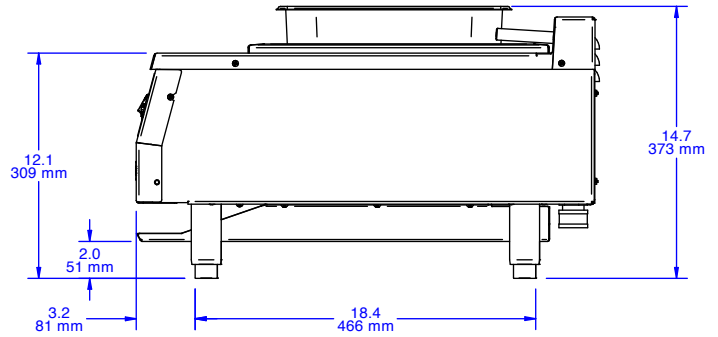
ISO VIEW



FRONT VIEW



SIDE VIEW



Unit weight: 77 lbs

UTILITIES SPECIFICATIONS

208 VAC, 39A, 50/60Hz, 1 Phase

Equipped with a NEMA 6-50P plug for use with a 208 VAC, 50 A outlet



VENTING INFORMATION

The Wood Stone Rice Cooker must be vented in accordance with all relevant local and national codes, and in a manner acceptable to the authority having jurisdiction.



t. 360.650.1111
tf. 800.988.8103
f. 360.650.1166

Wood Stone Corporation
1801 W. Bakerview Rd.
Bellingham, WA 98226 USA
info@woodstone-corp.com
woodstone-corp.com

REVISED: WINTER 2026

An ongoing program of product improvement may require us to change specifications without notice.

