



Right-Hand drive Okanogan Rotisserie with optional Multi-Skewer Drum assembly. Shown on Mt. St. Helens (SFB) Charbroiler with optional Pan Rail and Shelf.

Job Name	
Model	WS-SSR-(34, 45, 57)
Item#	

The Okanogan Single-Spit Rotisserie is an option for our Mt. St. Helens solid fuel charbroilers. The rotisserie mounts directly to the charbroiler (34", 45" and 57" Mt. St. Helens). It rides on a rail system that allows the rotisserie to be pushed to the back of the broiler for rotisserie cooking of product, or pulled to the front of the broiler, for easy loading and unloading. The Okanogan increases food production from the broiler without increasing fuel consumption; the same fire is used to generate coals for the firebox and to cook food items on the spit.

The Okanogan includes a wrap-around heat shield and single angle spit and is designed to accept all current Wood Stone horizontal rotisserie baskets and spits. The unit comes ready to plug into a standard 120 volt outlet.

**Note:** The Okanogan is about 9 inches wider than the Mt. St. Helens Charbroiler upon which it is set. Total height of the unit on the 34", 45" or 57" Mt. St. Helens Charbroiler is 66". The Okanogan Rotisserie will not work in combination with any other piece of equipment.

The unit is ETL Listed and made in the USA. Information about additional tools and accessories can be found online at: [woodstone-corp.com](http://woodstone-corp.com).



t. 360.650.1111  
tf. 800.988.8103  
f. 360.650.1166

Wood Stone Corporation  
1801 W. Bakerview Rd.  
Bellingham, WA 98226 USA  
[info@woodstone-corp.com](mailto:info@woodstone-corp.com)  
[woodstone-corp.com](http://woodstone-corp.com)

REVISED: SPRING 2017

An ongoing program of product improvement may require us to change specifications without notice.





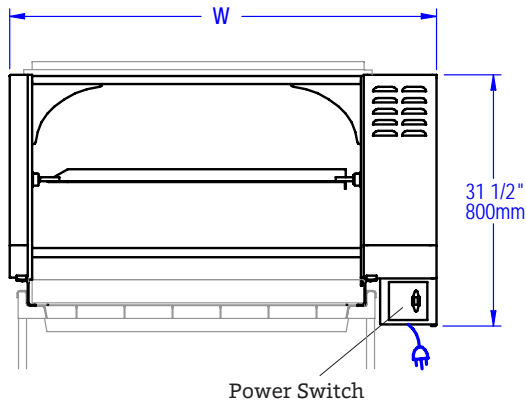
# OKANOGAN SINGLE-SPIT ROTISSERIE • WS-SSR-#

Note: The rotisserie is about 9 inches wider than the charbroiler upon which it is set. Total height of unit with 34", 45" or 57" charbroiler is 66". Right-hand drive configuration shown.

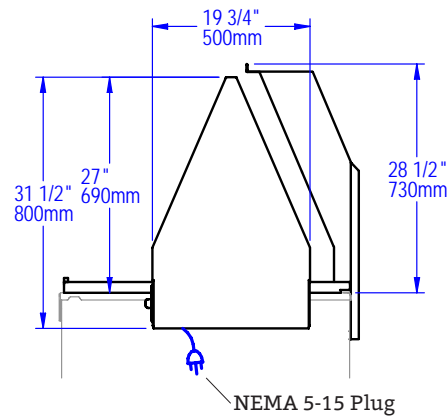
## GUIDE TO MODEL NUMBERS

Model #	W
WS-SSR-34	41.75" / 1060mm
WS-SSR-45	53.5" / 1359mm
WS-SSR-57	66" / 1676mm

### FRONT VIEW



### SIDE VIEW



### UTILITIES SPECIFICATIONS

GAS  
N/A

ELECTRICAL  
120 VAC, 5 A, 60 Hz  
NEMA 5-15 plug. Unit plugs into a standard 120 VAC, 15 A outlet.

### VENTING INFORMATION

The WS-SSR-# must be vented using a Listed Type 1 exhaust hood, or one constructed in accordance with NFPA 96 and all relevant local and national codes. The rotisserie must be vented as a solid fuel appliance in accordance with all relevant local and national codes, and in a manner acceptable to the authority having jurisdiction.

**Ship Weight: 300 lbs / 136 kg**



t. 360.650.1111  
tf. 800.988.8103  
f. 360.650.1166

Wood Stone Corporation  
1801 W. Bakerview Rd.  
Bellingham, WA 98226 USA  
[info@woodstone-corp.com](mailto:info@woodstone-corp.com)  
[woodstone-corp.com](http://woodstone-corp.com)

REVISED: SPRING 2017

An ongoing program of product improvement may require us to change specifications without notice.

