



Job Name	
Model	WS-GRC-60
Item#	



WS-GRC-60 model shown.

FEATURES

- Cooks Rice & Grains in Convenient 1/3 Pans
- Consistent Quality Cook After Cook
- Cooks up to Three 1/3 Pans Independently for Flexibility
- Cooks Both Brown and White Rice at the Same Time
- High Volume Production: will provide 60 cups of cooked white rice in 23 minutes

The gas-fired Rice Cooker is a versatile high-performance solution that cooks rice and grains in 1/3 pans. It provides consistent results, cooking all varieties of white or brown rice. It can cook up to 3 separate pans independently, in any combination of white or brown rice. This flexibility allows the operator to cook smaller runs of rice when needed to reduce waste and maintain quality. By cooking in 1/3 pans, rice can go directly to the serving line, or a holding cabinet, without having to transfer product from a bulky cooking vessel. By reducing prep time, and cleanup time, the operator will realize substantial labor savings with this unit.

The Rice Cooker is an efficient gas-fired appliance, and uses less than 3,000 BTUs to cook a full pan of rice. Each 1/3 pan will produce 20 cups of cooked rice. Typical cook times for a full batch are around 23 minutes for white rice, 33 minutes for brown rice. These times can vary depending on the exact type of rice, individual preference and altitude. The control system provides adjustments to customize the cooking characteristics to meet your particular requirements.

The exterior and cooking zone are made from stainless steel for long life and durability. The 33,000 BTU/hr gas burner system utilizes high quality components for reliability, and is cheaper to operate than comparable electric units. The Rice Cooker is designed and built by Wood Stone to provide many years of high quality, consistent rice production with the flexibility required in today's competitive restaurant environment.

Patent Pending



t. 360.650.1111
tf. 800.988.8103
f. 360.650.1166

Wood Stone Corporation
1801 W. Bakerview Rd.
Bellingham, WA 98226 USA
info@woodstone-corp.com
woodstone-corp.com

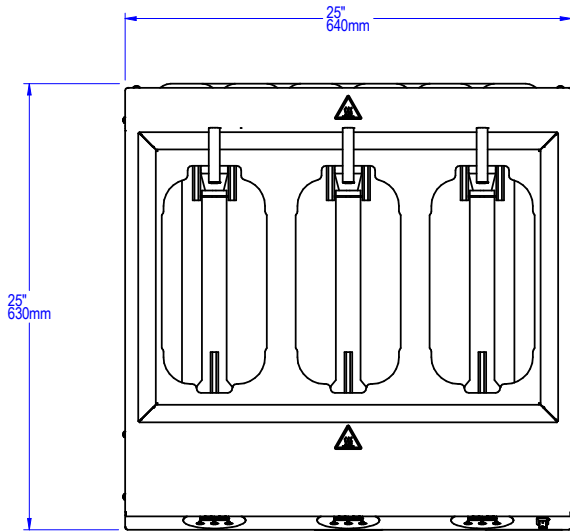
REVISED: SUMMER 2021

An ongoing program of product improvement may require us to change specifications without notice.

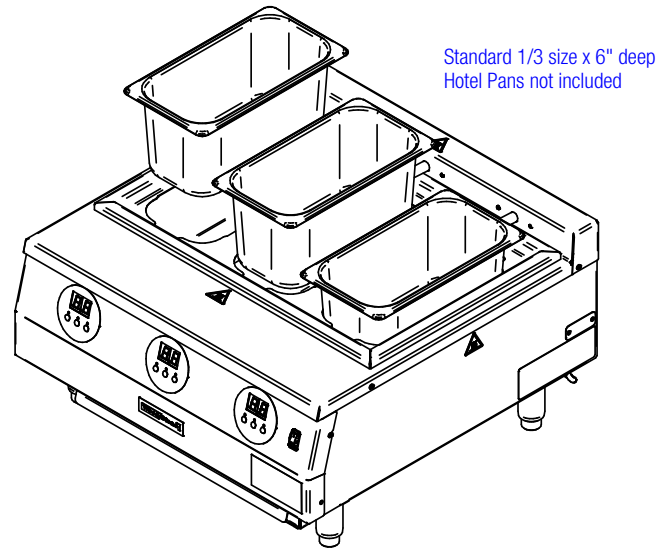


RICE COOKER GAS-FIRED

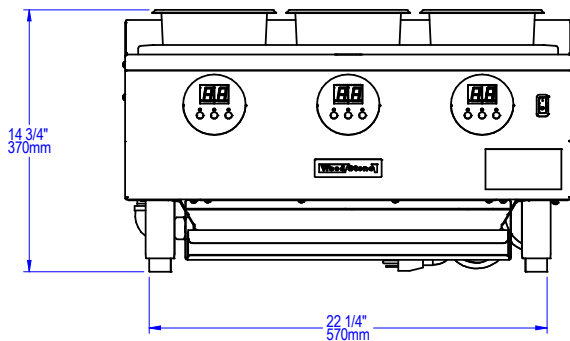
PLAN VIEW
With Pans Removed



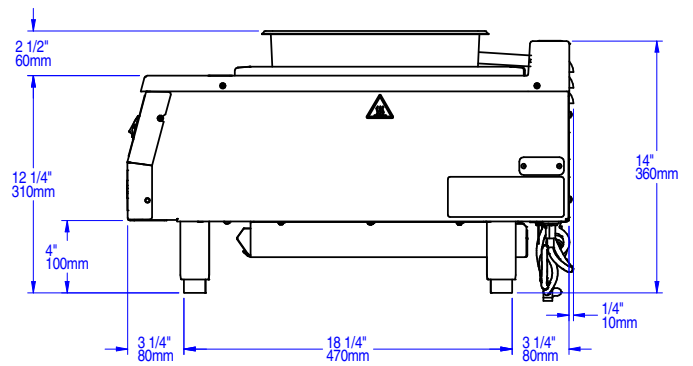
ISO VIEW



FRONT VIEW



SIDE VIEW



Unit weight: 77 lbs

UTILITIES SPECIFICATIONS

GAS
1/2 inch gas inlet (MNPT)
33,000 BTU/hr - Natural Gas (NG)
OR
33,000 BTU/hr - Propane (LP)
Maximum gas inlet pressure:
1/2 psi (14 inches W.C.)

ELECTRICAL
120 VAC, 0.5A, 50/60 Hz, 1 Phase
Equipped with a NEMA 5-15P plug
for use with a standard 120 VAC,
15 A or 20 A outlet.
Refer to data plate when installing.

VENTING INFORMATION

The Wood Stone Rice Cooker must be vented in accordance with all relevant local and national codes, and in a manner acceptable to the authority having jurisdiction.



t. 360.650.1111
tf. 800.988.8103
f. 360.650.1166

Wood Stone Corporation
1801 W. Bakerview Rd.
Bellingham, WA 98226 USA
info@woodstone-corp.com
woodstone-corp.com

REVISED: SUMMER 2021

An ongoing program of product improvement may require us to change specifications without notice.

