



AIR-COOLED VIEWING WINDOW

Wood Stone

Wood Stone now offers an attractive Air-Cooled Viewing Window option for Mountain Series, Fire Deck Series, Designer Series and Duck Ovens. The Viewing Window incorporates a multi-layer design that helps to cool the outer glass surface.

The Viewing Window assembly allows for the installation of a facade wall by others, in a similar fashion to our other facade extension options. The durable and heat resistant ceramic-glass sections can be removed for cleaning.

The Air-Cooled Viewing Window is designed to provide a window assembly that is much cooler than the oven internal temperature. However, be aware that when in operation, temperatures on the external glass and frame can range from 120 °F to nearly 200 °F. Surfaces above 140 °F can cause burns. A Wood Stone oven is a high temperature commercial appliance. Care should be taken when designing an installation utilizing a Viewing Window to minimize the opportunity for anyone to directly contact the Viewing Window glass or frame while the oven is in operation or hot. In many cases a barrier (by others) will be necessary to ensure a safe installation.

This option is not recommended for ovens burning solid fuel due to potential sooting issues encountered on the glass when burning wood or coal.

Also, be aware that there is some production loss when adding an Air-Cooled Viewing Window because the additional opening removes some of the dome's mass.



Mountain Series
180° Viewing Window
Flat



Mountain Series
180° Viewing Window
Curved



Fire Deck Series
180° Viewing Window
Flat



Viewing Window Curved
Installation Cutaway View



REVISED: SUMMER 2017

An ongoing program of product improvement may require us to change specifications without notice.

t. 360.650.1111
tf. 800.988.8103
f. 360.650.1166

Wood Stone Corporation
1801 W. Bakerview Rd.
Bellingham, WA 98226 USA
info@woodstone-corp.com
woodstone-corp.com

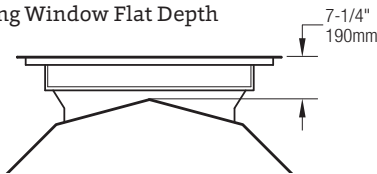
Wood Stone



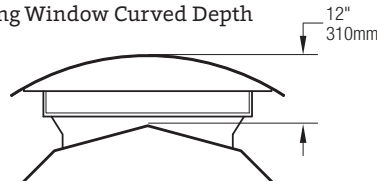
MOUNTAIN SERIES MODELS

For Mountain Series ovens, the Air-Cooled Viewing Window is available with either a flat faced frame, or a curved faced frame. For WS-MS-5 (Mt. Adams) WS-MS-6 (Mt. Baker) and WS-MS-7 (Mt. Rainier) ovens, labeled positions shown on the diagram to the right—90°, 120°, 180°, 240° and 270°—are available for installation of a Viewing Window. Call the factory to discuss Viewing Window options for the WS-MS-4.

WS-MS Viewing Window Flat Depth



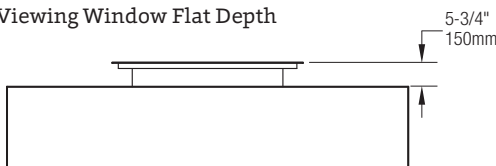
WS-MS Viewing Window Curved Depth



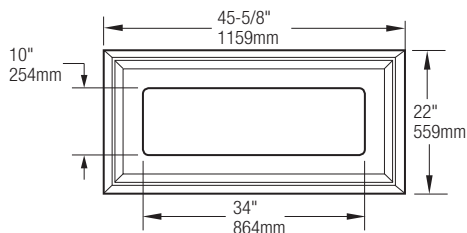
FIRE DECK SERIES MODELS

For Fire Deck Series ovens, the Air-Cooled Viewing Window (flat faced only) may be located on the rear of the oven.

WS-FD Viewing Window Flat Depth



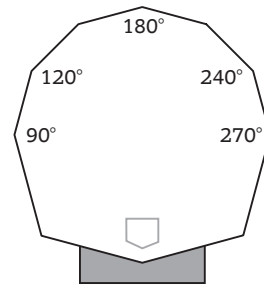
WS-FD Viewing Window Flat Dimensions



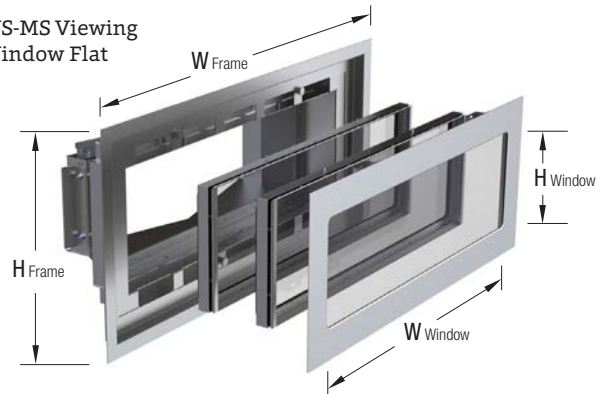
DESIGNER SERIES & DUCK OVENS

The Air-Cooled Viewing Window is also available for our Designer Series and Duck Ovens. Contact the factory for dimensions.

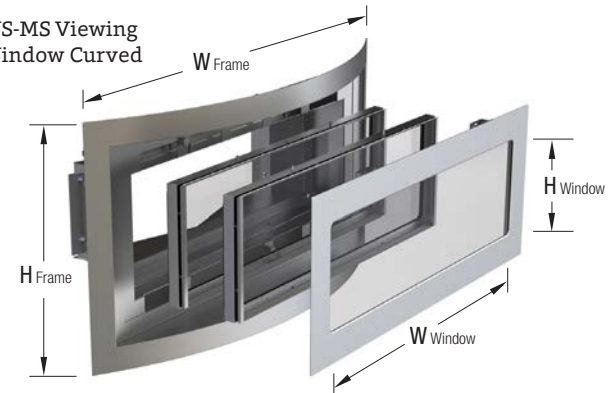
Available Position Guide for Mountain Series Ovens (ex. WS-MS-4)



WS-MS Viewing Window Flat



WS-MS Viewing Window Curved



WS-MS Viewing Window Dimensions

	Shape	Frame Exterior			Window	
		W	H	Radius	W	H
WS-MS-5	Flat	45.5" 1156mm	22" 559mm	—	33.6" 853mm	10" 254mm
	Curved	47" 1194mm	23.85" 606mm	43.5" 1105mm		
WS-MS-6	Flat	45.5" 1156mm	22" 559mm	—		
	Curved	47" 1194mm	23.85" 606mm	49" 1244mm		
WS-MS-7	Flat	45.5" 1156mm	22" 559mm	—		
	Curved	47" 1194mm	23.85" 606mm	54.5" 1384mm		