



### USING A FORKLIFT

Use a forklift with adequate fork lengths and lifting capacity. If necessary, fork extensions must be used so the forks extend through the fork lift pockets to the opposite side of the stand. Lift from either side as shown in figure a. Do not lift from the front or back. The oven is very top heavy, so spread the forks as far apart as possible.

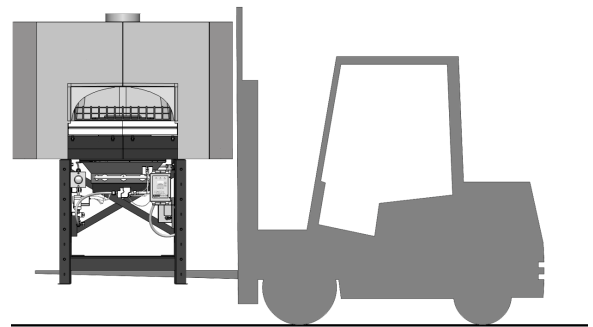


fig. a

### ⚠️ WARNING Minimum Required Forklift Capacities

Model	Oven	Approximate shipping weight	Minimum fork length required	Required forklift capacity
WS-MS-4	Mt. Chuckanut	2,400 lbs.	4'	5,000 lbs.
WS-MS-5	Mt. Adams	3,600 lbs.	5'	6,000 lbs.
WS-MS-6	Mt. Baker	4,600 lbs.	6'	8,000 lbs.
WS-MS-7	Mt. Rainier	6,000 lbs.	7'	12,000 lbs.

### USING A PALLET JACK

Once the oven has been removed from the delivery vehicle, it can easily be moved on smooth, flat surfaces using a Pallet Jack. To lift the oven with a Pallet Jack, remove the front and rear angle iron stabilizers from the base of the oven stand and place a stout 4x4 post through the Fork Pocket as shown in figure b.

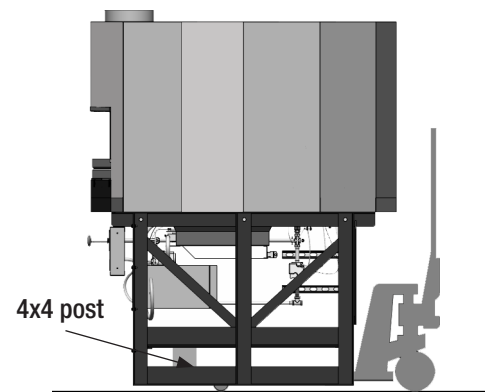


fig. b

**THE OVEN IS VERY TOP-HEAVY. MOVING THE OVEN UP OR DOWN A RAMP OR INCLINE ON A PALLET JACK IS NOT SAFE!**

### USING A CRANE

The oven arrives with four lifting eyes attached. When craning a Wood Stone oven, use a spreader bar with a two-legged sling rigged on each end. The spreader bar should be of a sufficient length to keep the sling from contacting the oven. See figure c.

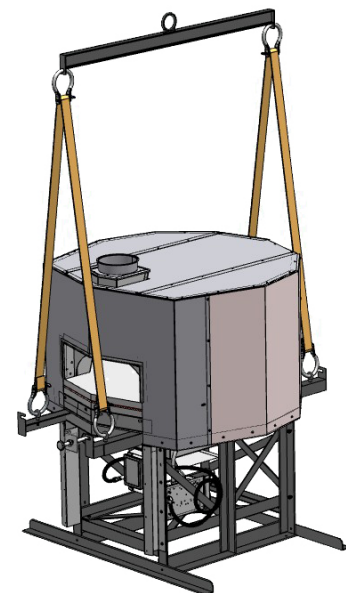


fig. c

### DO NOT TURN THE OVEN ON ITS SIDE!

Contact Wood Stone if the oven must be turned on its side for specific instructions. Moving a Wood Stone oven can present challenges to even the most experienced riggers. Take your time, use your head, secure the proper equipment and make safety your first priority. Please don't hesitate to call the factory for technical support.

**DELIVERY NOTE:** The customer will receive an Oven Shipping Notification when the oven leaves the Wood Stone factory. This will include a PRO# and a trucking company contact number. Wood Stone recommends that you confirm the delivery date/time with the trucking company before committing to heavy equipment and/or labor. Our goal is a smooth and safe delivery.