

⚠ WARNING		
Minimum Required Forklift Capacities		
6' FORKS MINIMUM		
Model	Lifting from Front or Rear	Lifting from Sides
FD-9660	11,000 lbs	13,000 lbs
FD-11260	12,000 lbs	17,000 lbs

USING A FORKLIFT

The Wood Stone Fire Deck 9660 weighs approximately 6,000 lbs., and the Fire Deck 11260 weighs approximately 6,800 lbs. Both are top heavy.

Use a forklift with adequate fork lengths and lifting capacity. When using a forklift, always use the forklift pockets. Lifting the oven any other way with a forklift may result in damage. Use extreme caution and make sure that the forks extend all the way through the pockets provided. The fork pockets accommodate forks up to 9" wide. Fork length must be at least 6' long. If it is necessary to approach the oven from the front, be sure the mast does not contact the mantle (shelf).

There are fork pockets at the front and sides of the oven. **Note:** Forklift capacity is different if lifting from the front/rear or the sides. Once the oven is on a **smooth flat level** surface it can be rolled on its optional heavy-duty, temporary shipping Casters (details next page).

USING A PALLET JACK

The oven may also be moved with a Pallet Jack using the front or rear fork pockets only. Once the oven is on a **smooth, flat** floor it can be rolled to its final position. **DO NOT ATTEMPT TO MANUALLY ROLL THE OVEN UP OR DOWN A RAMP OR INCLINE.** Do not position yourself between the moving oven and an immovable object or surface such as a wall or door frame.

DO NOT TURN THE OVEN ON ITS SIDE!

Moving a Wood Stone oven can present interesting challenges to even the most experienced riggers. Make sure to secure the proper equipment and make safety your first priority. Please don't hesitate to call the factory for technical support.

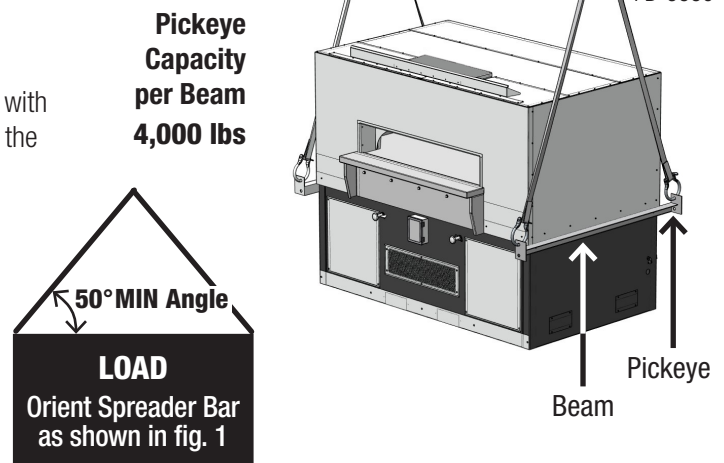
USING A CRANE

If you are planning to use a crane to unload the oven, specify a flatbed truck delivery.

Use the Pickeys provided on the sides of the oven to lift the oven with a crane. The Spreader Bar should be of a sufficient length to keep the sling from contacting the oven, and oriented as shown in fig 1.

DELIVERY NOTE

The customer will receive an Oven Shipping Notification when the oven leaves the Wood Stone factory. This will include a PRO# and a trucking company contact number. Wood Stone recommends that you confirm the delivery date/time with the trucking company before committing to heavy equipment and/or labor. Our goal is a smooth and safe delivery.





INSTRUCTIONS FOR INSTALLING AND REMOVING OPTIONAL OVEN CASTERS

The Fire Deck 9660 weighs approximately 6,000 lbs. and the Fire Deck 11260 about 6,800 lbs.

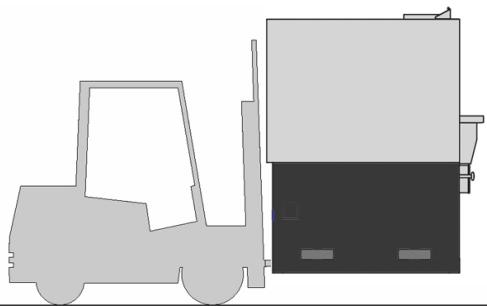
Do not attempt to move the oven over any type of grade or sloped surface when using the Casters or Pallet Jack.

WARNING: Failure to follow these instructions may result in severe injury or death.

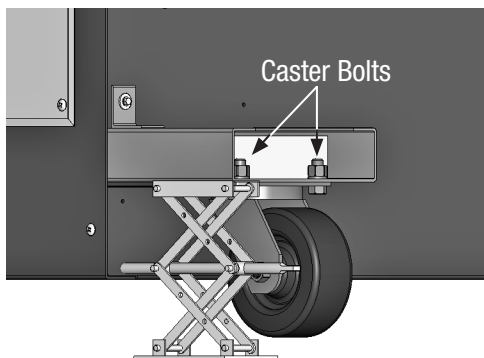
If you have any questions call Wood Stone at 800.988.8103.

NOTE: The casters will add 3" to the total height of the oven, for a total of 84-3/4".
The Vent Shield on top can be removed temporarily, reducing the height with casters to 83".

Shipping Casters are for moving the oven only. **THEY MUST BE REMOVED ONCE THE OVEN IS IN PLACE.**



- 1 Use a forklift (or pallet jack) to raise the oven using the front or rear forklift pockets.

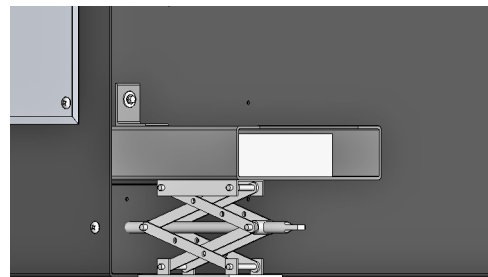


- 3
 - Once at final destination, use two scissor jacks (or pallet jack) to lift the one side of the oven by placing one jack under each caster assembly.
 - Raise the oven just high enough so the wheels clear the floor.
 - Unbolt each Caster and remove it.

Note: Casters are for moving oven only. They must be removed once the oven is in place.



- 2
 - Insert a Caster Assembly into each of the side fork pockets and secure it to the oven with a Self-Drilling Screw and washer.
 - Install the screw through the Mounting Tab.
 - Once the Caster Assemblies are installed, lower the oven.
 - It may then be rolled over a **smooth flat level** surface to its final destination.



- 4
 - Lower the oven back to the ground.
 - Remove the Self-Drilling Screw and slide the rest of the Caster Assembly out of the fork pocket.
 - Install Fork Lift Covers.
 - Repeat steps 3 and 4 for the other side of the oven.
 - This oven is designed to be sealed to the floor upon installation using a silicone sealant acceptable to the local health official. See the Placing & Installation section of this manual for additional instructions.