



OVEN NIGHT HEAT RETENTION DOORS

WoodStone

NIGHT HEAT RETENTION DOORS

Conserve the heat of your oven overnight using Night Heat Retention Doors. They are constructed of stainless steel, with spring handles. **Note:** These doors should not be used when the oven is turned on.

A. BISTRO LINE OVENS

000-3030-ND (for Model WS-BL-3030)

000-4343-ND (for Models WS-BL-4343, BL-4355, BL-4836)

B. MOUNTAIN SERIES OVENS

000-4-ND (for Model WS-MS-4)

000-5-ND-SET (for Model WS-MS-5)*

000-6-ND-SET (for Model WS-MS-6)*

000-7-ND-SET (for Model WS-MS-7)*

C. FIRE DECK SERIES OVENS

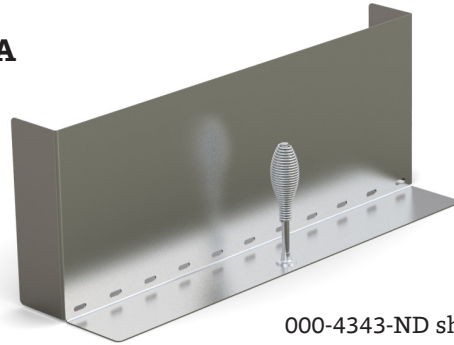
000-9660-ND-SET (for Models WS-FD-9660, FD-11260)*

000-9690-ND-SET (for Models WS-FD-9690, FD-11275,
FD-11290)*

000-90112-ND-SET (for Model WS-CS-90-112)*

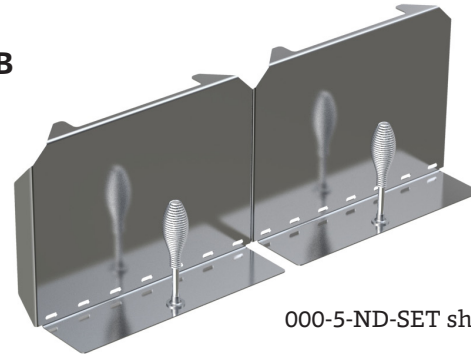
*Item consists of a two-door set

A



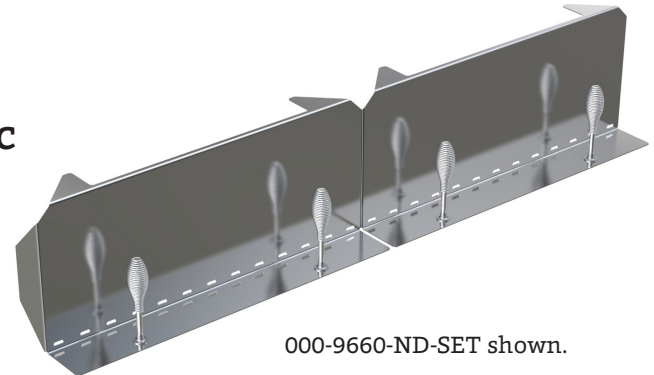
000-4343-ND shown.

B



000-5-ND-SET shown.

C



000-9660-ND-SET shown.

t. 360.650.1111
tf. 800.988.8103
f. 360.650.1166

Wood Stone Corporation
1801 W. Bakerview Rd.
Bellingham, WA 98226 USA
info@woodstone-corp.com
woodstone-corp.com

REVISED: SPRING 2017

An ongoing program of product improvement may require us to change specifications without notice.

WoodStone