



FIRE DECK SERIES OVEN MANTLES

Wood Stone

FIRE DECK SERIES - OVEN MANTLES

The Oven Mantle extends the working surface at the doorway of the oven, providing a staging area for dishes going into the oven or a holding area for cooked items awaiting service.

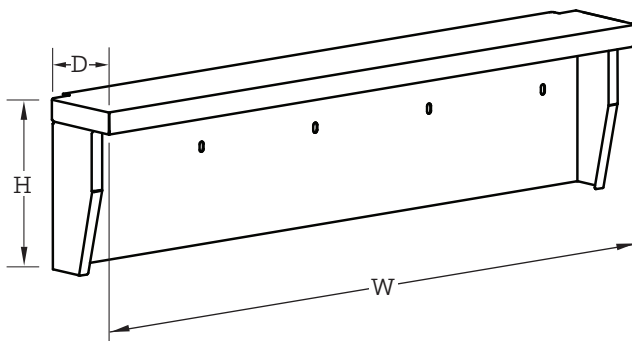
Fire Decks come standard with a stainless steel (S/S) mantle and S/S mantle bracket. Fire Deck ovens can also be ordered with the optional black granite mantle and/or powder coat mantle bracket.

Another alternative is to supply your own appropriate mantle stone, utilizing the S/S mantle bracket or the optional powder coat mantle bracket.

If you are planning to incorporate your Fire Deck Series oven into a kitchen design by applying facade materials, please visit the Facade Tutorials section on the Wood Stone website.



WS-FD-9660 model with stainless steel Mantle and stainless steel Mantle Bracket shown.



Fire Deck Series	Mantle Dimensions		
	H	W	D
WS-FD-6045	14.75"	37.5"	7.5"
WS-FD-8645		59.75"	
WS-FD-9660	14.75"	57.75"	
WS-FD-11260			
WS-FD-9690	15.25"	62.25"	
WS-FD-11275			
WS-FD-11290			

t. 360.650.1111
tf. 800.988.8103
f. 360.650.1166

Wood Stone Corporation
1801 W. Bakerview Rd.
Bellingham, WA 98226 USA
info@woodstone-corp.com
woodstone-corp.com

REVISED: SPRING 2017

An ongoing program of product improvement may require us to change specifications without notice.

