

MOUNTAIN SERIES - FACADE EXTENSIONS

Wood Stone offers a number of doorway, service panel and storage box options to help make oven installation into a facade wall seamless and attractive. Coordinated extensions bring the doorway of the oven into alignment with a panel or storage box below the oven. Both must be ordered at the same time to ensure proper alignment.

The face of an extension can be flat or curved. Curved extensions are available in either small or large radius dimensions (see exceptions on next page). Whatever your facade design, there's an option that's right for you.

Additionally, there's an arched doorway extension which mirrors the traditional stone hearth oven design.

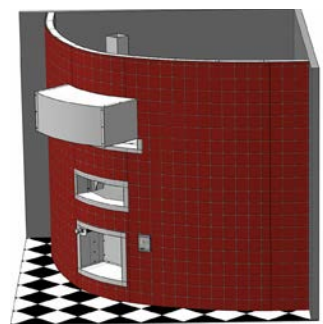
The side walls of all rectangular doorway extensions flare out slightly to enhance accessibility into the oven, and create a distinctive and attractive look.

Lower extension options include the Service Panel Extension and the 15" deep Storage Box Extension, which offers additional storage for ovens with an Underfloor IR burner.

For ovens without an IR burner, Stand-Mounted Storage Boxes are an option. See Mountain Series Stand-Mounted Storage Boxes on page 36.

For additional details on incorporating your oven into a facade, see the Facade Tutorials section of the Wood Stone website.

Doorway Facade and Storage Box Large Radius Curved Extensions and Curved Face Hood shown.



REVISED: SPRING 2017

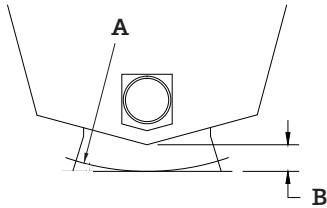
An ongoing program of product improvement may require us to change specifications without notice.

t. 360.650.1111
tf. 800.988.8103
f. 360.650.1166

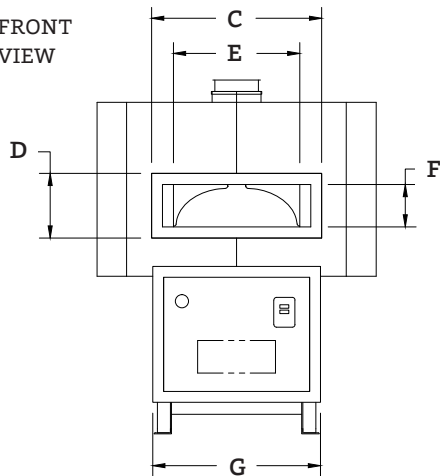
Wood Stone Corporation
1801 W. Bakerview Rd.
Bellingham, WA 98226 USA
info@woodstone-corp.com
woodstone-corp.com



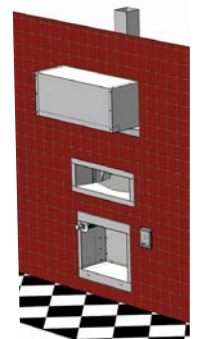
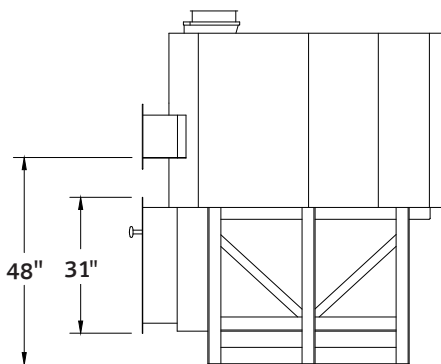
PLAN
VIEW



FRONT
VIEW



SIDE
VIEW



Doorway Facade and
Storage Box Flat
Extensions and
Flat Face Hood shown.

- The addition of granite on the mantle increases dimension (F) by .75" below the doorway.
- Curved Face Extensions are available in large or small radius styles, except for the WS-MS-4, which only has a small radius option.
- The WS-MS-4 Storage Box Extension option is only available on the wood-only model.
- Double Door and Viewing Window options affect some dimensions. Call for details.

Extensions			Radius of Curved Extension	Oven Face to Extension Face	Upper Extension				Lower Extension
					Doorway Frame ¹ Width (C) x Height (D)		Doorway Opening Width (E) x Height (F)		
			A	B	C	D	E	F	G
WS-MS-4	Flat	Doorway / Service Panel / Box ²	-	6.5"	28"	15"	19.5"	10"	33.5"
		Doorway Arched	-	6"	-	-		9.5"	
	Small Radius	Doorway / Service Panel / Box ²	34.5"	10"	28.5"	15"	10"		
WS-MS-5	Flat	Doorway / Service Panel or Box	-	6"	39"	15"	29"	10"	38.5"
		Doorway Arched	-	5.5"	-	-			
	Small Radius	Doorway / Service Panel or Box	39"	7.5"	39"	15"			35"
		Doorway Arched		7"	-	-			
	Large Radius	Doorway / Service Panel or Box	57"	6"	37.5"	15"			35.5"
Doorway Arched		5.5"		-	-				
WS-MS-6	Flat	Doorway / Service Panel or Box	-	6"	45.5"	15"	35"	9-1/2"	45"
		Doorway Arched	-	5.5"	-	-			
	Small Radius	Doorway / Service Panel or Box	44.5"	7.5"	45"	15"			41.5"
		Doorway Arched		7"	-	-			
	Large Radius	Doorway / Service Panel or Box	65.5"	6"	43.5"	15"			47.5"
Doorway Arched		5.5"		-	-				
WS-MS-7	Flat	Doorway / Service Panel or Box	-	6"	52"	17"	41"	11.5"	47.5"
		Doorway Arched	-	5.5"	-	-		12"	
	Small Radius	Doorway / Service Panel / Box	52"	8.5"	52"	17"		11.5"	47"
		Doorway Arched		8"	-	-			
	Large Radius	Doorway / Service Panel or Box	75.5"	6"	50"	17"		47.5"	
		Doorway Arched		5.5"	-	-			

Dimension tolerance ± 1/2"

¹ Doorway Facade Extension Arched does not have a frame.

² The WS-MS-4 Storage Box Extension option is only available on the wood-only model.