

Installation and Operation Manual



DESIGNER SERIES 2

Stone Hearth Oven

Gas-Fired with Broiler Option Models

DESIGNER SERIES 2 6348 WS-DS2-6348

DESIGNER SERIES 2 7248 WS-DS2-7248

DESIGNER SERIES 2 4048 WS-DS2-4048

Wood Stone

WOOD STONE CORPORATION

1801 W. Bakerview Rd.

Tel 360.650.1111

Bellingham, WA 98226 USA

Fax 360.650.1166



TABLE OF CONTENTS

Designer Series 2 3
Cautions & Warnings 4
Specifications
 DS2-6348 6
 DS2-7248 7
 DS2-4048 8
Unloading & Moving the Oven . . . 9
Clearances 10
Venting 11
Gas Specifications 12
Utility Connections 14
Oven Controller 15
Broiler Operation 16
Initial Oven Start-Up 17
Daily Oven Operation 18
Maintenance 19
Troubleshooting Guide 20
Electrical Diagrams 21
Limited Warranty 23



INSTALLATION AND OPERATION MANUAL FOR THE WOOD STONE DESIGNER SERIES OVEN

NATURAL GAS OR PROPANE FUELED STONE HEARTH OVEN

DESIGNER SERIES MODELS

WS-DS2-(7248, 6348, 4048)

GAS-FIRED WITH OPTIONAL BROILER MODELS

ADDITIONAL COPIES AVAILABLE UPON REQUEST



Shown: DS2-7348 with Broiler Option.



INSTALLATION AND OPERATING INSTRUCTIONS FOR THE WOOD STONE DESIGNER SERIES 2 OVEN WITH BROILER OPTION

RETAIN THIS MANUAL FOR FUTURE REFERENCE

Additional copies of this manual from Wood Stone.

For prompt responses to service/maintenance questions, call us at @ 1-800-988-8103.

READ ALL INSTRUCTIONS BEFORE INSTALLING AND USING THIS APPLIANCE

Please read this entire manual before you install the oven. Failure to follow instructions may result in property damage, bodily injury or even death. Contact your local building or fire officials about restrictions and installation inspection in your area.

IMPORTANT: Consult your local gas supplier for a statement outlining a procedure to be followed in the event you smell gas. Post the statement in a prominent location.

CAUTION: Never use gasoline, gasoline-type lantern fuel, kerosene, charcoal lighter fluid or similar liquids to start or freshen a fire in this oven. Keep all such liquids well away from the oven when in use.

It is recommended that this oven be installed, maintained and serviced by authorized professionals.

IF THIS OVEN IS NOT PROPERLY INSTALLED A FIRE MAY RESULT. TO REDUCE THE RISK OF FIRE, FOLLOW THESE INSTALLATION INSTRUCTIONS.

WARNING: Improper installation, adjustment, alteration, service or maintenance can result in property damage, injury or death. Read the installation, operation and maintenance instructions thoroughly before installing or servicing this equipment.

AVERTISSEMENT: L'installation, le réglage, la modification, la réparation ou l'entretien incorrect de cet appareil peut causer des dommages matériels, de blessures ou la mort. Lire attentivement les instructions d'installation, de fonctionnement et d'entretien avant de procéder à son installation ou entretien.

WARNING: Do not pack required air spaces (clearance) with insulation or other material.

EN AVERTISSANT: N'emballez pas les espaces aériens requis avec l'isolation ou tout autre matériel. When non-combustible building materials contact the body of the oven, the clearances to combustibles are transferred to those non-combustibles.



A MAJOR CAUSE OF OVEN RELATED FIRES IS A FAILURE TO MAINTAIN REQUIRED CLEARANCES TO COMBUSTIBLE MATERIAL. IT IS OF UTMOST IMPORTANCE THAT THIS OVEN BE INSTALLED ONLY IN ACCORDANCE WITH THESE INSTRUCTIONS.

FOR YOUR SAFETY: Do not store or use gasoline or other flammable vapors or liquids in the vicinity of this or any other appliance.

POUR VOTRE SÉCURITÉ: Ne pas entreposer ni utiliser d'essence ou d'autres vapeurs de liquides inflammables ou des liquides dans les environs de ce ou de tout autre appareil.

DO NOT USE PRODUCTS NOT SPECIFIED FOR USE WITH THIS OVEN.

**DISCONNECT POWER TO THE OVEN BEFORE SERVICING OR CLEANING.
NO ATTEMPT SHOULD BE MADE TO OPERATE THIS APPLIANCE DURING A POWER FAILURE**

This product must be installed by a licensed plumber or gas fitter when installed within the Commonwealth of Massachusetts.

SAVE THE INSTRUCTIONS

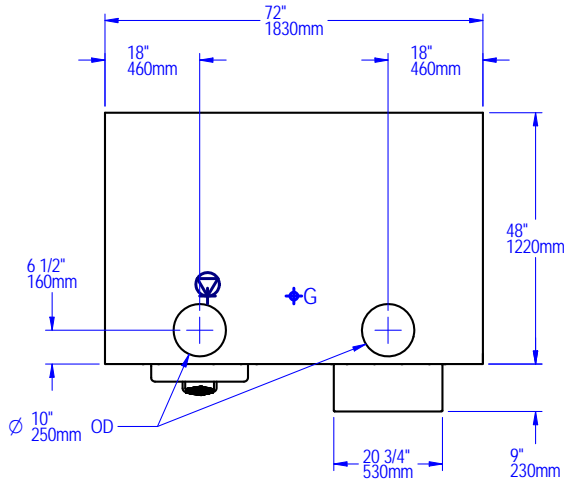
The Wood Stone's Designer Series oven has been tested and approved by Intertek Testing Services and conforms to ANSI Z83.11:2016 Ed. 4, UL 2162 and UL 737; is certified to CSA 1.8:2016 Ed. 4, ULC ORD 2162 and ULC S627; and to NSF/ANSI 4:2016.





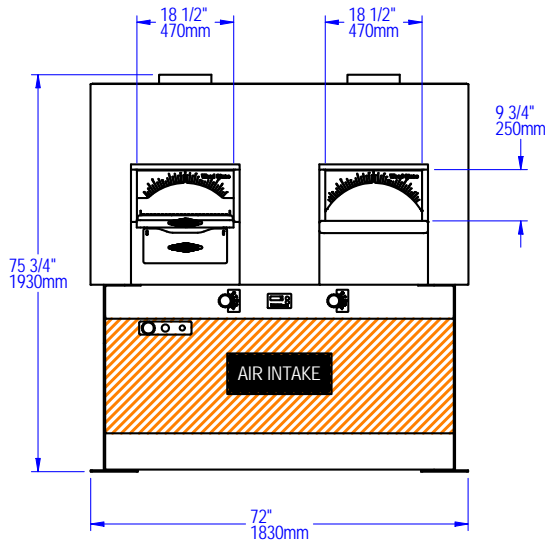
Due to the customizability of Designer Series ovens, some specifications shown below may differ.

Plan view

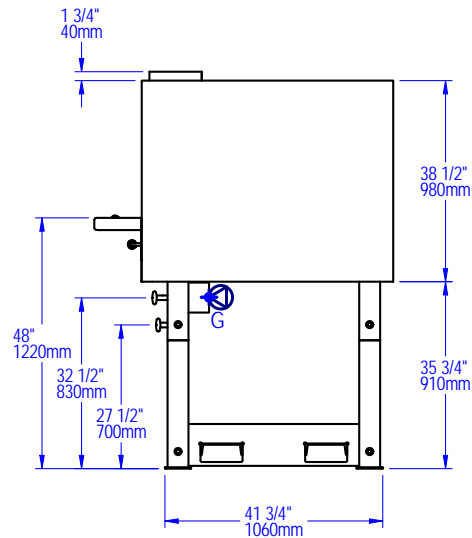


- Air intake: Do not facade or cover over
 - Must be left removable for service
- Broiler shown in right side configuration.

Front view



Side view



Shipping weight: 4,100 lbs. / 1,860 kg.

UTILITIES SPECIFICATIONS

Gas ⚡G

3/4 inch FNPT gas inlet
Refer to the data plate for exact rating.

Maximum gas inlet pressure:
1/2 psi (14 inches W.C.)

Electrical ⚡

100-120 VAC, 1.2 A, 60 Hz
Optional: 220-240 VAC, 1.2 A, 60 Hz
Gas inlet and electrical connection available on either side of oven.
Specify at time of order.

Refer to the data plate when installing.

Venting

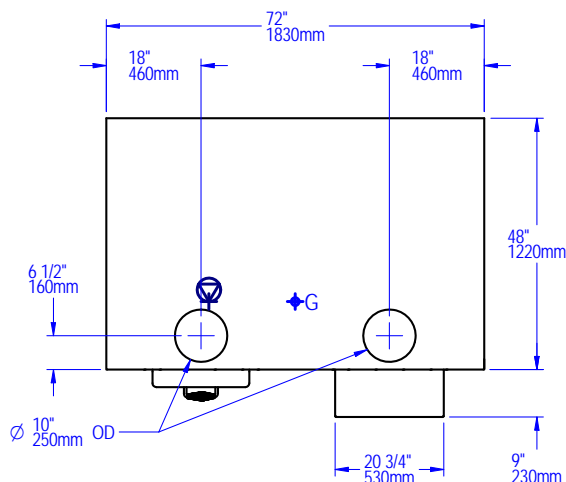
Designer Series ovens can be direct connected to a power-ventilated, grease-rated chimney, or can be vented with a Listed Type 1 exhaust hood, or one constructed in accordance with NFPA 96 and all relevant local and national codes. The oven must be vented in accordance with all relevant local and national codes, and in a manner acceptable to the authority have jurisdiction.

Note: Broiler models must be vented with a Listed Type 1 exhaust hood.



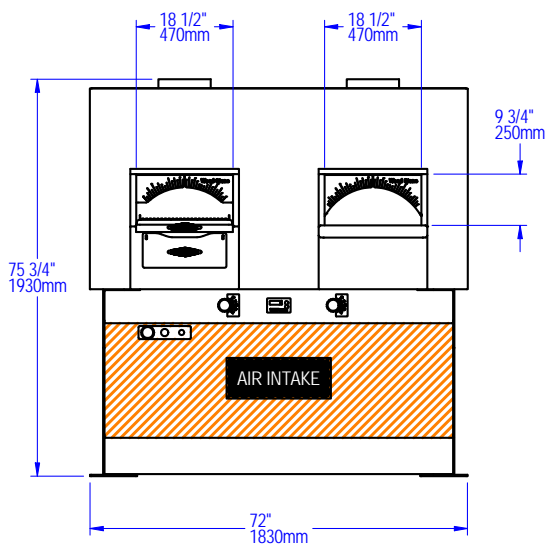
Due to the customizability of Designer Series ovens, some specifications shown below may differ.

Plan view

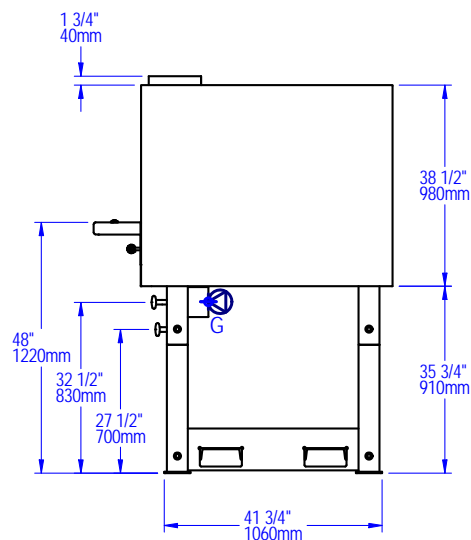


- Air intake: Do not facade or cover over
 - Must be left removable for service
- Broiler shown in right side configuration.

Front view



Side view



Shipping weight: 4,100 lbs. / 1,860 kg.

UTILITIES SPECIFICATIONS

Gas ⚡G

3/4 inch FNPT gas inlet

Refer to the data plate for exact rating.

Maximum gas inlet pressure:

1/2 psi (14 inches W.C.)

Electrical ⚡

100-120 VAC, 1.2 A, 60 Hz

Optional: 220-240 VAC, 1.2 A, 60 Hz

Gas inlet and electrical connection available on either side of oven.

Specify at time of order.

Refer to the data plate when installing.

Venting

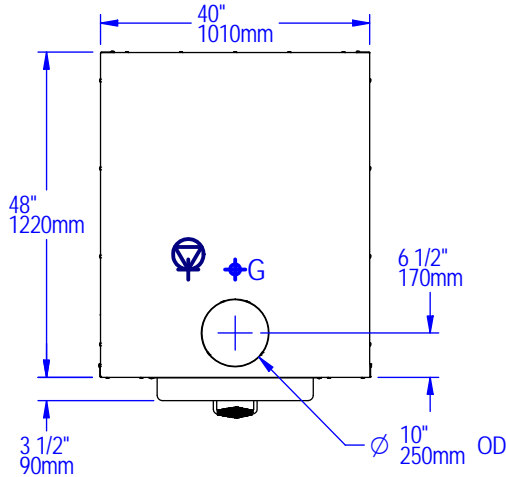
Designer Series ovens can be direct connected to a power-ventilated, grease-rated chimney, or can be vented with a Listed Type 1 exhaust hood, or one constructed in accordance with NFPA 96 and all relevant local and national codes. The oven must be vented in accordance with all relevant local and national codes, and in a manner acceptable to the authority have jurisdiction.

Note: Broiler models must be vented with a Listed Type 1 exhaust hood.



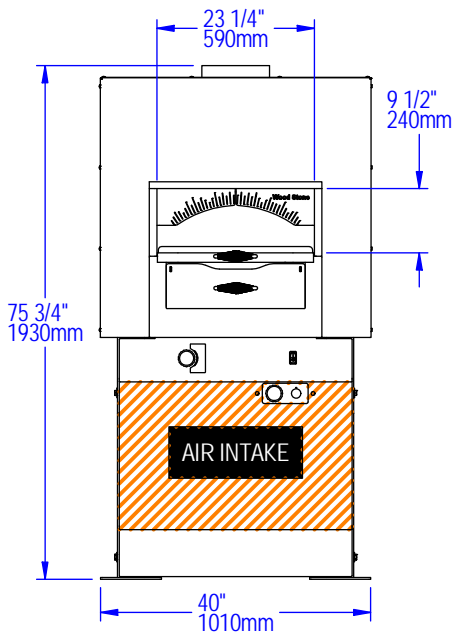
Due to the customizability of Designer Series ovens, some specifications shown below may differ.

Plan view

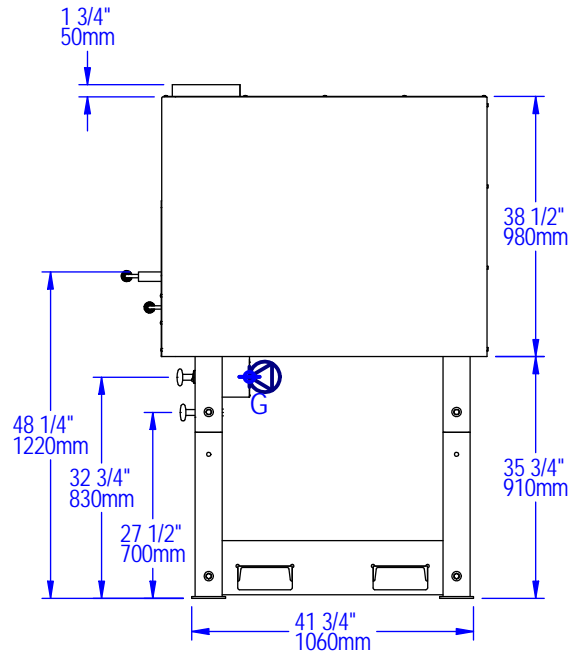


- Air intake: Do not facade or cover over
- Must be left removable for service

Front view



Side view



Shipping weight: 3,900 lbs. / 1,769 kg.

UTILITIES SPECIFICATIONS

Gas ⚡G

3/4 inch FNPT gas inlet
Refer to the data plate for exact rating.

Maximum gas inlet pressure:
1/2 psi (14 inches W.C.)

Electrical ⚡

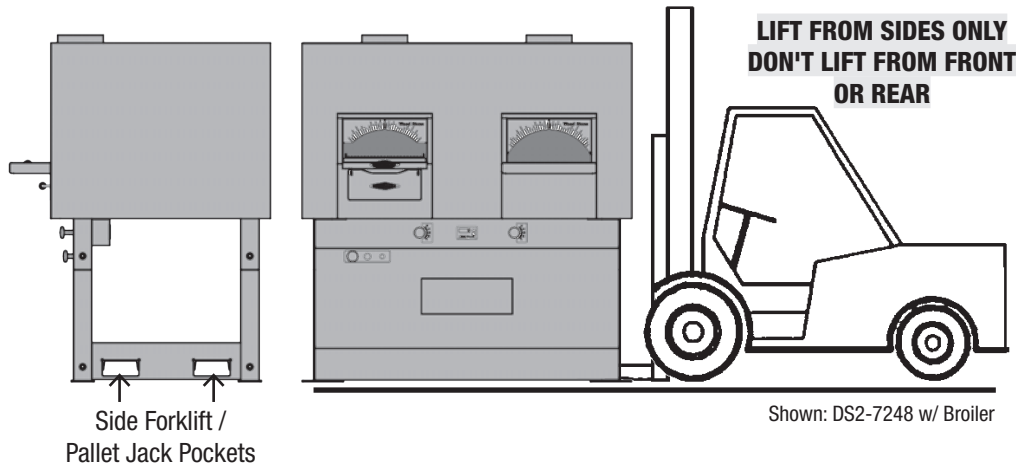
100-120 VAC, 1.2 A, 60 Hz
Optional: 220-240 VAC, 1.2 A, 60 Hz
Gas inlet and electrical connection available on either side of oven. Specify at time of order.

Refer to the data plate when installing.

Venting

Designer Series ovens can be direct connected to a power-ventilated, grease-rated chimney, or can be vented with a Listed Type 1 exhaust hood, or one constructed in accordance with NFPA 96 and all relevant local and national codes. The oven must be vented in accordance with all relevant local and national codes, and in a manner acceptable to the authority have jurisdiction.

Note: Broiler models must be vented with a Listed Type 1 exhaust hood.



⚠ WARNING Minimum Required Forklift Capacities	
6' FORKS MINIMUM	
Model	Lifting from Sides
DS2-4048-Broiler	6,000 lbs
DS2-6348-Broiler	6,000 lbs
DS2-7248-Broiler	7,000 lbs

USING A FORKLIFT

Wood Stone Designer Series ovens are top-heavy.

Use a forklift with adequate fork lengths and lifting capacity. When using a forklift, always use the forklift pockets on either side of the oven. Lifting the oven any other way with a forklift may result in damage. Use extreme caution and make sure that the forks extend all the way through the pockets provided. Fork length must be at least 6' long.

The are fork pockets at the sides of the oven. Do not lift from front or rear of oven.

USING A PALLET JACK

The oven may also be moved with a Pallet Jack using the side pockets. Once the oven is on a **smooth, flat** floor it can be rolled to its final position. **DO NOT ATTEMPT TO MANUALLY ROLL THE OVEN UP OR DOWN A RAMP OR INCLINE.** Do not position yourself between the moving oven and an immovable object or surface such as a wall or door frame.

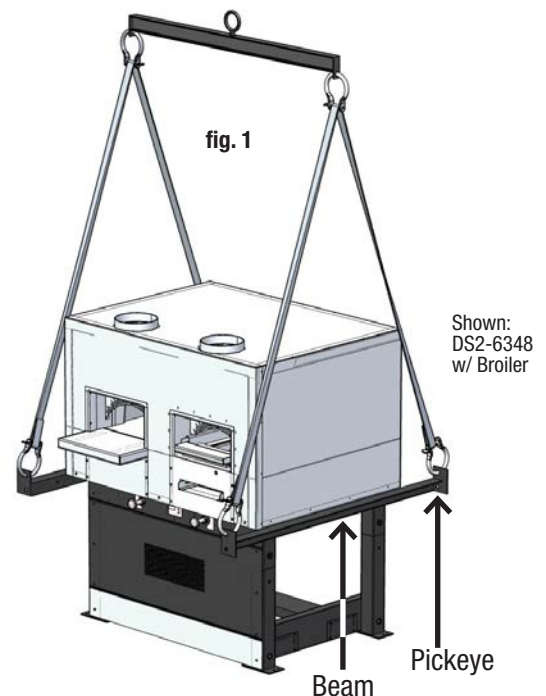
DO NOT TURN THE OVEN ON ITS SIDE!

Moving a Wood Stone oven can present interesting challenges to even the most experienced riggers. Make sure to secure the proper equipment and make safety your first priority. Please don't hesitate to call the factory for technical support.

USING A CRANE

If you are planning to use a crane to unload the oven, specify a flatbed truck delivery.

Use the pick-eyes provided on the sides of the oven to lift the oven with a crane. The spreader bar should be of a sufficient length to keep the sling from contacting the oven, and oriented as shown in fig. 1.



DELIVERY NOTE

The customer will receive an Oven Shipping Notification when the oven leaves the Wood Stone factory. This will include a PRO# and a trucking company contact number. Wood Stone recommends that you confirm the delivery date/time with the trucking company before committing to heavy equipment and/or labor. Our goal is a smooth and safe delivery.



WARNING: Do not pack required air spaces (clearance) with insulation or other material.

EN AVERTISSANT: n'emballez pas les espaces aériens requis avec l'isolation ou tout autre matériel.

When non-combustible building materials contact the body of the oven, the clearances to combustibles are transferred to those non-combustibles.

A MAJOR CAUSE OF OVEN RELATED FIRES IS FAILURE TO MAINTAIN REQUIRED CLEARANCES (AIR SPACES) TO COMBUSTIBLE MATERIALS. IT IS OF UTMOST IMPORTANCE THAT THIS OVEN BE INSTALLED ONLY IN ACCORDANCE WITH THESE INSTRUCTIONS.

Installation and servicing of this product could expose you to glasswool/ceramic fibers as well as calcium silicate dust. ALWAYS WEAR RESPIRATORY AND EYE PROTECTION WHEN INSTALLING OR SERVICING THIS APPLIANCE. Please read this entire manual before you install the oven. Failure to follow instructions may result in property damage, bodily injury or even death. Contact your local building or fire officials about restrictions and installation inspection in your area.

1. The Wood Stone Designer Series Oven must have a minimum 1-inch clearance to combustibles from all sides, 7 inch clearance to combustibles from the top. If building a facade that will contact the oven, use completely non-combustible materials. Any facade wall on the front of the oven must be of non-combustible construction. Please note that standard Drywall (or Sheetrock) is considered a combustible. Any walls perpendicular to the front of the oven in the area 30 inches to either side of the doorway and 36 inches in front of the oven should have a non-combustible surface.
2. This oven should be installed on a non-combustible floor surface. For use only on noncombustible floors (installér sur un plancher incombustible seulement). The non-combustible floor surface must extend 36 inches in front of and 30 inches to either side of the oven doorway.
3. If equipped, do not cover the glass Viewing Windows. If constructing a facade wall around the oven, provide openings for the viewing windows. Seal the openings to the oven using a non-combustible insulation and an appropriate flashing, (i.e. steel or ceramic tile). Facade materials above and 6 inches on each side of window must be non-combustible.

WARNING: DO NOT FILL REQUIRED AIR SPACE WITH INSULATION OR OTHER MATERIALS.

DO NOT BLOCK AIR INTAKE AREA ON SERVICE PANELS AT FRONT OF THE OVEN.

DO NOT BLOCK SERVICE PANELS. THESE MUST REMAIN REMOVABLE TO ALLOW ACCESS FOR MAINTENANCE AND SERVICE.



All of the combustion products and cooking vapors from Designer Series models pass through a 10-inch diameter flue collar. Depending upon configuration, there may be more than one. The oven can be direct connected to a power-ventilated, grease-rated chimney, or placed under a Listed Type 1 exhaust hood. **Models with an in-oven broiler MUST be vented with a Listed Type 1 hood. Do not over fire the oven.**

It is never appropriate to use “B vent” in any part of an exhaust system connected to a Wood Stone oven. All duct material must be manufactured to the specifications of a grease duct. Due to the possibility of sparks entering the duct, exhaust systems serving solid fuel equipment **SHOULD NOT** be combined with exhaust systems serving other non-solid fuel cooking equipment. The venting system should be cleaned and inspected at least every 3 months, and at least monthly with wood-fired applications.

THERE ARE TWO VENTING OPTIONS:

1. A Listed building heating appliance chimney, also listed as a grease duct, connected directly to the oven flue collar and provided with a power ventilator listed for restaurant appliance exhaust and rated for operation at a minimum of 300 °F, 450 °F for units burning solid fuel. Use a stack or curb mounted fan. Wood Stone does not recommend the use of an in-line fan. A field built grease duct installed and constructed according to the requirements spelled out in NFPA 96, or the International Mechanical Code may also be used.

A static pressure of -0.1 inches water column (-0.14 inches water column for models burning solid fuel) is necessary at the oven flue collar to ensure proper flue temperatures at the fan. The airflow required to attain this static pressure will depend on the configuration of your particular installation but will probably be approximately 400 CFM. The exhaust fan must be turned on any time the oven is running.

Important: The Direct Connect option is NOT available if the oven is equipped with an in-oven broiler. **With an in-oven broiler, a Listed Type 1 exhaust hood is required.**

2. A Listed Type 1 Exhaust Hood or one that is constructed and installed in accordance with NFPA 96 and all relevant local and national Codes. Wood Stone offers eyebrow-type hoods designed specifically for Wood Stone ovens. See specification sheet on ventilators for Wood Stone ovens.

Wood Stone recommends that you refer to the exhaust hood manufacturer's recommendations for inspection, maintenance and cleaning.

Wood Stone recommends that you consult with a qualified mechanical engineer and submit your venting plans to local code authorities before proceeding with installation.

Contact local building or fire officials concerning any installation restrictions or need for inspection of the oven installation.



FACTORY SPECIFIED INDIVIDUAL BURNER MANIFOLD PRESSURES (W.C.) FOR WS-DS2 MODELS

Model	Natural Gas (NG)		Propane (LP)		Propane (HLP)	
	SV-2 Radiant Burner	Optional Broiler	SV-2 Radiant Burner	Optional Broiler	SV-2 Radiant Burner	Optional Broiler
WS-DS2	5" W.C.	4" W.C.	9.5" W.C.	9.5" W.C.	9.5" W.C.	9.5" W.C.

MAXIMUM HOURLY BTU INPUT RATES FOR WS-DS2-RFG MODELS

See data plate for your specific model.

This oven requires no modifications or adjustments for use at high altitudes.

The installation of this appliance must conform with local codes, or in the absence of local codes, with the National Fuel Gas Code, ANSI Z223.1 or The Natural Gas Installation Code CAN/CGA-B149.1 as applicable.

SV-2 (and SV-3 if equipped) are the gas control valve(s) that operates the interior Radiant Burner(s). The manifold pressure(s) are checked at the outlet port on the individual gas valve.

The burner manifold pressures have been adjusted and tested at the factory. A variety of factors can influence these pressures, so be sure to test the individual burner manifold pressures and adjust the valves as necessary to achieve the required pressures.

NOTE: The gas valves are shipped in the **ON** position.

GAS CONNECTION

Wood Stone Designer Series 2 ovens are equipped with a 3/4-inch FNPT gas connection located near the center of the oven. Have a licensed gas installer provide the hookup and test all fittings and pipe connections for leaks. Use approved gas leak detectors (soap solutions or equivalent) over and around the fittings and pipe connections.

DO NOT USE FLAME TO TEST FOR LEAKS!

All gas piping up to the oven must have a minimum inside diameter of 3/4", including all fittings and shut off valves, which should be of the full flow type.

Wood Stone recommends that the Designer Series oven be equipped with a manual, individual shutoff valve, located between the oven and the main gas supply, and that this shutoff valve (supplied by others) be left readily accessible. Wood Stone also recommends that inspection and maintenance of the burners and gas piping connections of this appliance be performed at regularly scheduled intervals and only by professional gas appliance service agencies.

Maximum inlet gas pressure must not exceed 14" W.C. (1/2 psi)

**GAS INLET PRESSURE**

For ovens running on natural gas, an inlet pressure of 7 to 10" W.C. is recommended to ensure optimum oven performance. Incoming gas pressure below this range will affect oven performance, the lower the pressure the greater the negative impact. If the gas supply pressure is greater than 14" W.C. (1/2 psi), an external regulator, supplied by others, is **REQUIRED** to lower the gas pressure to the acceptable range. Issues caused by low or high gas pressure are installation issues, and will not be covered under the Warranty.

For ovens running on LP, the recommended inlet pressure to ensure optimum oven performance is 10 to 12" W.C. Incoming gas pressure below this range will affect oven performance, the lower the pressure the greater the negative impact. If the gas supply pressure is greater than 14" W.C. (1/2 psi), an external regulator, supplied by others, is **REQUIRED** to lower the gas pressure to the acceptable range. Issues caused by low or high gas pressure are installation issues, and will not be covered under the Warranty.

For all installations, follow best practices for proper gas line pipe sizing for the line serving the oven. To insure proper operation, all gas piping and fittings leading up to the oven should have an inside diameter equal to or greater than that of the oven gas connection. Also make sure that a readily accessible shut off valve (supplied by others) is installed near the oven, and in accordance with all applicable codes. Shut off valves must be of the full-flow type, and not introduce any restriction into the gas line.

The connection to the oven should be hard-piped whenever feasible, if this is not possible, use a properly sized flexible connector approved for this application. When using a flexible connector make sure that its design does not present any reduction in pipe diameter or other restriction. Oven issues caused by improper pipe sizing, improper shut off valves, restrictive connectors, or any other deficiency in the gas supply design or installation will not be covered under the oven warranty.

GAS CODE LIMITATIONS

The installation of this appliance must conform with local codes, or in the absence of local codes, with the National Fuel Gas Code, ANSI Z223.1 or The Natural Gas Installation Code CAN/CGA-B149.1 as applicable.

The appliance and its individual shutoff valve (supplied by others) must be disconnected from the gas supply piping system during any pressure testing of that system at test pressures in excess of 1/2 psi (14" W.C.) (3.45 kPa).

The appliance must be isolated from the gas supply piping system by closing its individual manual shutoff valve (supplied by others) during any pressure testing of the gas supply piping system at test pressure, equal to or less than 1/2 psi (14" W.C.) (3.45 kPa).



ELECTRICAL CONNECTIONS

A junction box is provided at the rear of the control panel towards the right side of the oven. The incoming power is connected to oven at this junction box. Check the equipment data plate to verify proper voltage before connecting the oven.

This appliance must be electrically grounded in accordance with local code, or in the absence of local code, with the national electrical code, ANSI/NFPA 70, or the Canadian Electrical Code, CSA C22.2, as applicable. An electrical diagram is provided on the transformer box beneath the oven as well, and at the end of this manual.

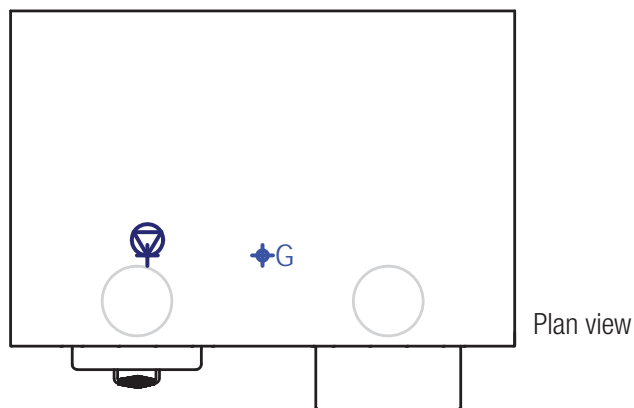
GAS CONNECTION

Connect the incoming gas supply to the 3/4 inch FNPT gas inlet located underneath, near the center of the oven. A 3/4 inch full-flow gas shut-off valve (supplied by others) must be installed on the gas supply near the oven in such a way that it is readily accessible.

UTILITY LOCATIONS

The general gas inlet $\oplus G$ location is shown below. It can be plumbed to from either side, or through the rear.

The general electric \ominus connection location is shown below. The electrical connection is generally located on the front left side of the oven, and can be connected through any side of the oven. The electrical location is fixed, not specifiable, but is easy to access from any direction.





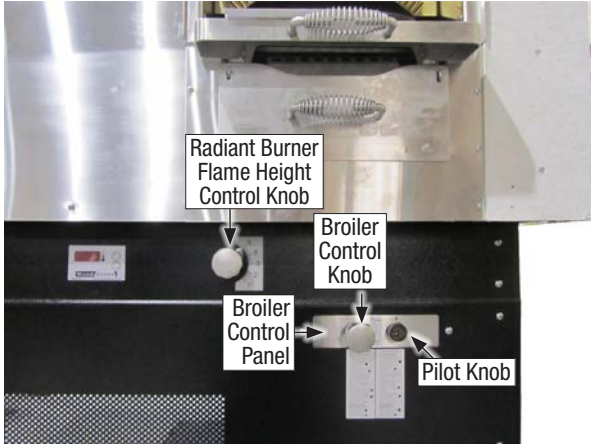
TYPE 4 CONTROLLER

RFG, RFG-W models





OPERATING THE OPTIONAL BROILER



The broiler operates independently of the oven controls. Turning either the oven Controller or the broiler ON or OFF has no effect on the other unit. You must turn OFF both units separately.

If the broiler pilot goes out, wait five minutes before attempting to relight it. Do not attempt to relight the pilot if you smell gas. Turn off the oven and broiler until the gas smell clears. If you suspect a problem with the oven or broiler, contact your local distributor immediately. Do not attempt to run the oven or the broiler until the problem is identified and corrected.



The pilot is under the Pilot Shield

BROILER: MANUAL LIGHTING INSTRUCTIONS

Note: Unit must be OFF for 5 min. before starting. Verify the hood system is ON.



1. Verify Broiler Control Knob is in the OFF position.



2. Remove center Broiler Grate.



3. Turn the Pilot Knob to PILOT position.



4. Depress & Hold the Pilot Knob for 1 minute.
 With Knob still depressed, apply flame to the pilot underneath the Pilot Shield.



5. Keep the Pilot Knob depressed for about 30 seconds or until the pilot remains lit on its own.



6. Release the Pilot Knob, verify pilot remains lit...
 Then turn Pilot Knob to the ON position.



7. Rotate the Broiler Control Knob to the HIGH position until burner lights, then adjust.



8. Replace the Broiler Grate.



TO ADJUST BROILER FLAME HEIGHT

To adjust flame height, rotate the Burner Control Knob to flame height desired.

Shown: The "medium" setting position.



TO TURN BROILER OFF

1. Turn Broiler Control Knob to the OFF position.
2. Turn the Pilot Knob to the OFF position.



INITIAL OVEN START-UP

NOTE: The ceramic materials used in the construction of your Wood Stone oven will absorb moisture if exposed to high humidity or damp conditions during shipment from the factory or extended periods of storage before installation. Occasionally, through the course of the Initial Start-Up, as the oven heats up it is possible that you will see some water dripping from the sides of the oven as moisture is driven out of the ceramic. This is not a defect in the oven, and once the oven has been fully saturated with heat, the moisture will be driven fully from the oven. After this initial process, you will not see any additional moisture from the oven unless the oven is not used for an extended period of time AND it is exposed to excessive moisture or high humidity.

FIRST DAY

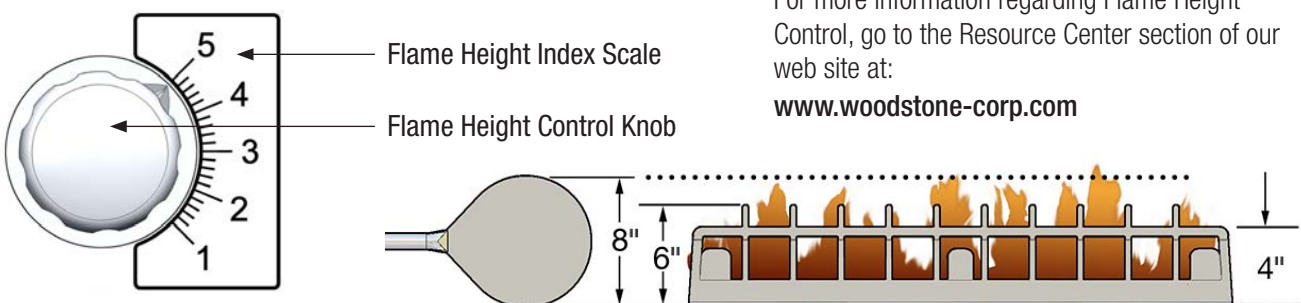
1. Make sure exhaust fan is properly wired and interlocked to the appliance and main gas supply is ON (valve parallel with gas line).
2. Push I/O button on Controller(s), leaving Broiler OFF during the Start-Up process. It may take a while for the gas to purge all the air from the gas lines. The exhaust fan should come on as well.
3. Once the burner ignites, make sure the flame is at its lowest setting, "1" and allow the appliance to operate at this setting for about 1 hour.
4. After 1 hour, raise Radiant flame to 25% (~5-inch flame, or ~2 on the Flame Height Control Index Scale) and hold this setting for 4 hours.
5. After 4 hours, raise radiant flame height to 50% (~3 on the Flame Height Index Scale) and hold another 4 hours. The oven can be left at this setting all night.
6. At this point, the oven is ready for use.

See the BROILER OPERATION section for Broiler Lighting instructions.

NOTE: Small "crazing" cracks will occur with normal heating and cooling. They will not affect the performance or durability of the oven. If cracks of 1/8" wide or more develop, contact Wood Stone for evaluation.

FLAME HEIGHT INDICATOR

Comprised of two parts



TIP: You can visually estimate flame heights using the Wood Stone utility peel, which is 8" tall when standing on edge in front of the flame. Then relate height to the corresponding number on the Flame Height Index Scale.

**DAILY OVEN OPERATION**

The oven floor temperature is displayed on the Controller readout.

DO NOT OVER FIRE! WHEN FLAMES SPILL OUT OF THE DOOR, OR IF THE OVEN FLOOR (HEARTH) TEMPERATURE EXCEEDS 750 °F, YOU ARE OVER FIRING THE OVEN.

END OF THE DAY

Push I/O button on the oven Controller. All gas supplied to the Radiant Burners will go OFF.

You must turn the broiler OFF separately by turning the Pilot Knob to OFF.

Note: The broiler operates independently of the oven controls. Turning either the oven Controller or the broiler ON or OFF has no effect on the other unit. You must turn off both units separately.

BEGINNING OF THE DAY

1. Push the On/Off button on the Controller to start the oven.
2. Turn Temperature Control Knobs to “5” on the Flame Height Index Scale – the heat up flame position.
3. Wait until Hearth Temperature on the Controller reaches 500 °F. Heat up time from room temperature will be approximately 2 hours, 40 minutes.
4. Maintain temperature range – typically 500–530 °F, using a holding flame of about 10" flame (~3.5 on the Flame Height Index Scale).
5. When cooking, adjust flame upwards 2–3 inches. Return to holding flame after removing product.

See woodstone-corp.com for detailed information on cooking in your Wood Stone oven.

DURING THE DAY

Wood Stone recommends the use of long-handled brushes for sweeping up surface debris that will accumulate on the floor of the oven during use. Use a natural fiber brush—always brushing away from the radiant burner well. For deeper cleaning, use a brass bristled brush. The oven floor can be then cleaned with a damp rag wrapped around the brass bristled brush head. (Wood Stone offers an assortment of oven brushes available through your dealer. Specification sheets may be viewed on the Wood Stone website under Tools & Accessories.)

**DAILY MAINTENANCE****OVEN INTERIOR**

Wood Stone recommends the use of long-handled brushes for sweeping up surface debris that will accumulate on the floor of the oven during use. Use a natural fiber brush—always brushing away from the radiant burner well. For deeper cleaning, use a brass bristled brush. The oven floor can be then cleaned with a damp rag wrapped around the brass bristled brush head.

Wood Stone offers an assortment of oven brushes available through your dealer. Specification sheets may be viewed on the Wood Stone website under Tools & Accessories.

DO NOT POUR OR SPRAY LIQUIDS ONTO THE OVEN DECK OR INTO THE OVEN INTERIOR AS THIS CAN DAMAGE THE CERAMIC AND WILL VOID THE WARRANTY.

There is a stainless steel burner guard to prevent food from falling on and thereby obstructing the gas orifices of the radiant flame. If food gets into the radiant flame well and the flame is visibly obstructed, turn the oven off immediately, and call for service.

DO NOT USE THE RADIANT BURNER WELL AS A DUMP FOR DEBRIS OR TRASH INCINERATION; MAKE EVERY ATTEMPT TO KEEP DEBRIS FROM DROPPING INTO THE WELL.**OVEN EXTERIOR**

All painted and stainless steel surfaces should be cleaned as necessary using a mild detergent, hot water and a soft cloth or sponge. Stubborn residues may be removed using a nonmetallic scouring pad. When scouring stainless steel surfaces, scrub with the grain of the metal to prevent scratching. Do not use any type of scouring pad on glass surfaces.

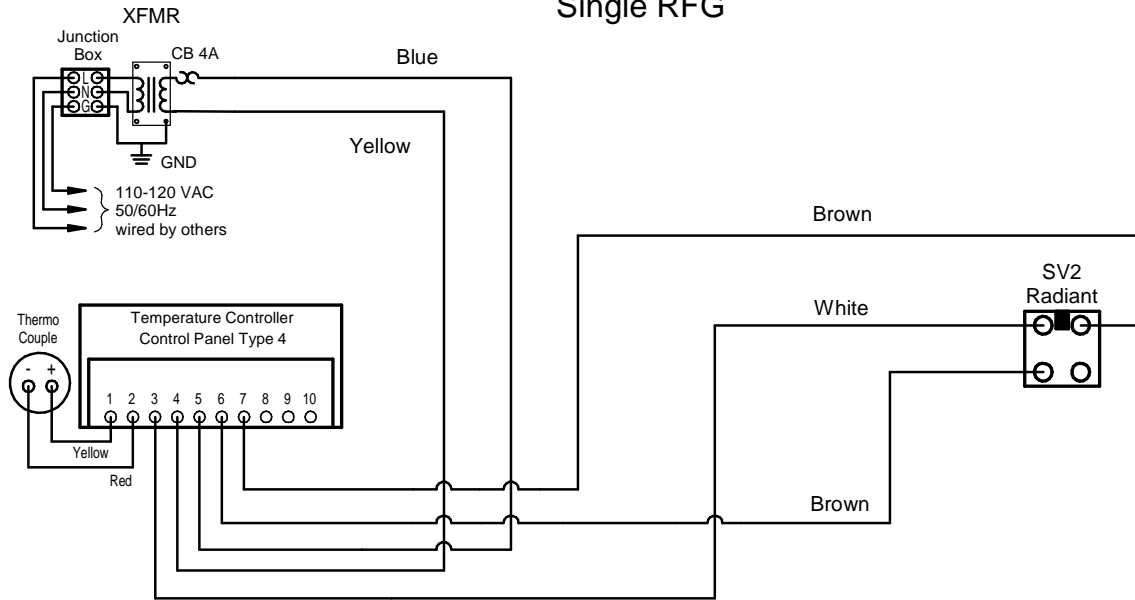


PROBLEM	CAUSE/SOLUTION
Controller will not turn on	<ol style="list-style-type: none"> 1. Incoming power to oven turned off. Check circuit breaker for circuit supplying the oven. Check that any wall switches external to the oven that control oven power are turned on. Check that any interlocks external to the oven are turned on. 2. If Controller still does not turn on, please contact your local distributor for assistance.
Burner flame does not light	<ol style="list-style-type: none"> 1. Is gas turned on to the oven? Is gas shut-off valve turned all the way on? 2. Debris in burner. Burner may require cleaning. Contact Wood Stone for assistance. 3. Damaged igniter or gas valve. Contact your local distributor for assistance. If the oven is being started for the first time: <ul style="list-style-type: none"> - Has all air been bled from the gas line? - Are the switches on the SV-2 & SV-3 valves in the ON position? <p>NOTE: Valves are locate on the back of the control box, beneath the oven.</p>
Burner flame cuts out	<ol style="list-style-type: none"> 1. Debris in burner. 2. Oven is being run with the night door in place. Night Heat Retention Doors must be removed whenever the oven is turned on. 3. Wind blowing into the oven, or other venting issues.
Display reads "OPEN"	<ol style="list-style-type: none"> 1. Thermocouple is not plugged into control box. 2. Damaged thermocouple. Contact your local distributor for assistance.



SINGLE RADIANT BURNER TYPE 4 CONTROLLER

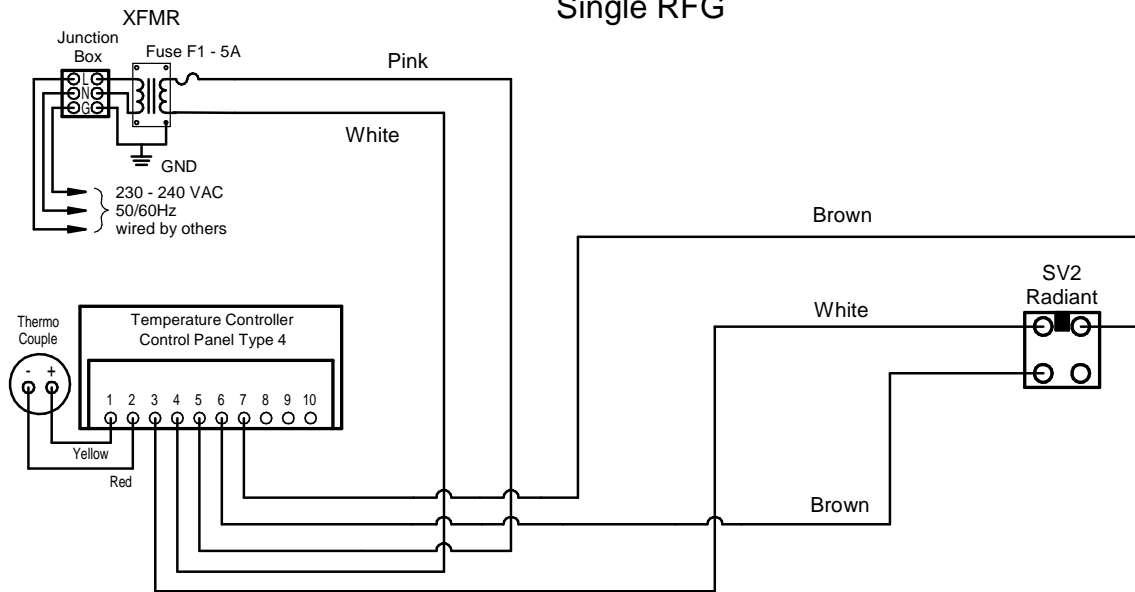
100-120 VAC



Bellingham, WA +1(360)650-1111 www.woodstone-corp.com

DIAG #: WD070 Rev. 1
DATE: 2/2/2017

220-240 VAC



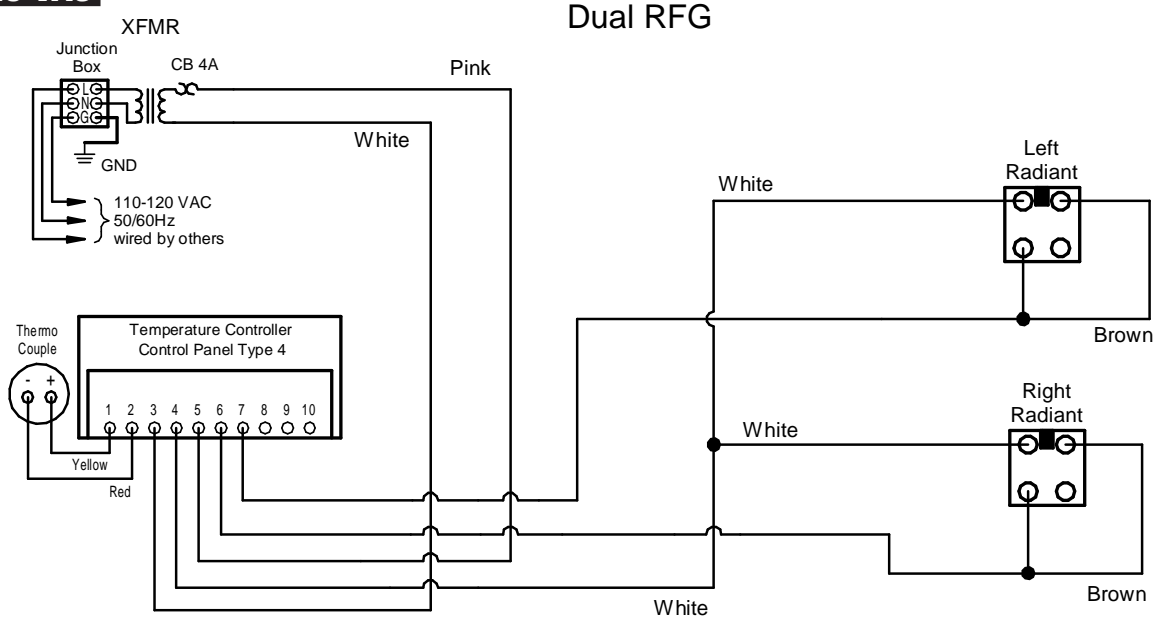
Bellingham, WA +1(360)650-1111 www.woodstone-corp.com

DIAG #: WD077 Rev. 1
DATE: 2/2/2017



2 RADIANT BURNERS TYPE 4 CONTROLLER

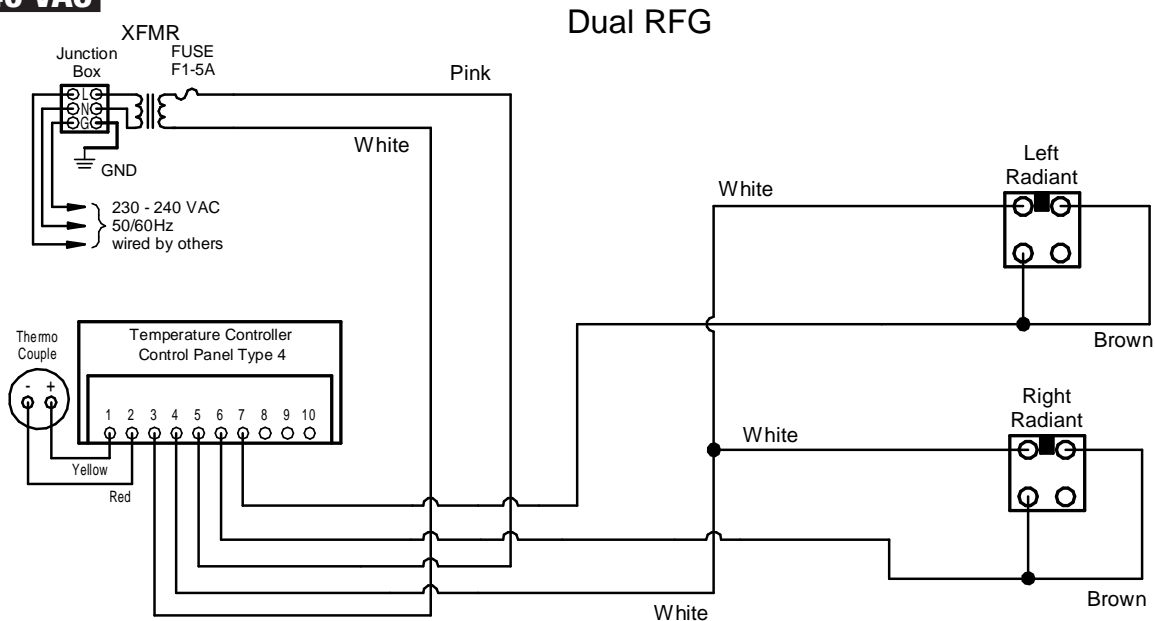
100-120 VAC



Bellingham, WA +1(360)650-1111 www.woodstone-corp.com

DIAG #: WD082 Rev. 0
DATE: 4/24/2014

220-240 VAC



Bellingham, WA +1(360)650-1111 www.woodstone-corp.com

DIAG #: WD083 Rev. 1
DATE: 11/2/2015



WOOD STONE WARRANTS ITS EQUIPMENT TO THE ORIGINAL PURCHASER AGAINST DEFECTS IN MATERIAL OR MANUFACTURE FOR A PERIOD OF ONE YEAR FROM THE ORIGINAL DATE OF PURCHASE, SUBJECT TO THE FOLLOWING EXCLUSIONS AND LIMITATIONS.

CONTACT YOUR LOCAL DISTRIBUTOR FOR WARRANTY SERVICE

EXCLUSIONS

The warranties provided by Wood Stone do not apply in the following instances:

1. In the event that the equipment is improperly installed. Proper installation is the responsibility of the installer; proper installation procedures are prescribed by the Wood Stone Installation and Operation Manual.
2. In the event the equipment is improperly or inadequately maintained. Proper maintenance is the responsibility of the user; proper maintenance procedures are prescribed in the Wood Stone Installation and Operation Manual. Burner problems resulting from debris or ash in the burner well will not be covered by the warranty. Call with questions regarding maintenance frequency.
3. In the event that the failure or malfunction of the appliance or any part thereof is caused by abnormal or improper use or is otherwise not attributable to defect in material or manufacture.
4. In the event that the appliance, by whatever cause, has been materially altered from the condition in which it left the factory.
5. In the event that the rating plate has been removed, altered or obliterated.
6. On parts that would be normally worn or replaced under normal conditions.
7. Normal cracking due to expansion and contraction stress relief in the ceramic firebox.
8. In wood-fired equipment configurations, in the event that pressed log products of any type have been burned in the equipment.
9. In coal-fired oven configurations, in the event any type of coal other than anthracite coal fuel has been used.
10. Damage resulting from the use of chemical cleaning products in the oven, as well as any damage from liquids or chemicals, including water, being poured or sprayed into the oven.

If any oral statements have been made regarding this appliance, such statements do not constitute warranties and are not part of the contract of sale. This Limited Warranty constitutes the complete, final and exclusive statement with regard to warranties.

THIS LIMITED WARRANTY IS EXCLUSIVE AND IN LIEU OF ALL OTHER WARRANTIES WHETHER WRITTEN, ORAL OR IMPLIED, INCLUDING, BUT NOT LIMITED TO, ANY WARRANTY OF MERCHANTABILITY OR FITNESS FOR PARTICULAR PURPOSE OR WARRANTY AGAINST LATENT DEFECTS

LIMITATIONS OF LIABILITY

In the event of warranty claim or otherwise, the sole obligation of Wood Stone shall be the repair and/or replacement, at the option of Wood Stone, of the appliance or component or part thereof. Such repair or replacement shall be at the expense of Wood Stone with the exception of travel over 100 miles or two hours, overtime, and holiday charges which shall be at the expense of the purchaser. Any repair or replacement under this warranty does not constitute an extension of the original warranty for any period of the appliance or for any component or part thereof. Parts to be replaced under this warranty will be repaired or replaced at the option of Wood Stone with new or functionally operative parts. The liability of Wood Stone on any claim of any kind, including claims based on warranty, expressed or implied, contract, negligence, strict liability or any other theories shall be solely and exclusively the repair or replacement of the product as stated herein, and such liability shall not include, and purchaser specifically renounces any rights to recover, special, incidental, consequential or other damages of any kind whatsoever, including, but not limited to, injuries to persons or damage to property, loss of profits or anticipated profits, or loss of use of the product.

TO SECURE WARRANTY SERVICE:

Contact your local distributor.



WOOD STONE CORPORATION

1801 W. Bakerview Rd.

Bellingham, WA 98226 USA

Toll Free 800.988.8103

Tel 360.650.1111

Fax 360.650.1166

www.woodstone-corp.com

An ongoing program of product improvement may require us to change specifications without notice.