



Left-Hand drive configuration with six spits shown.

### FEATURES

- High Production
- Durable Construction
- Rear Load and Unload
- 6 or 10 Spit Options (6 Spit Shown)
- Standard or Narrow Widths Available
- Wood Broiler Option
- Custom Accessories
- Unique Flavor Profiles

### GUIDE TO MODEL NUMBERS

	Solid Fuel Rotisserie	Narrow Width	Includes Charbroiler	Left-Hand Drive	Right-Hand Drive
WS-SFR-6	X			-L	-R
WS-SFR-6N	X	X		-L	-R

Job Name	
Model	WS-SFR-(6, 10)
Item#	

The body of the Mt. Olympus Rotisserie is constructed of 16-gauge polished stainless steel. It comes with a durable, high-temperature ceramic firebox and can be ordered with an optional extended firebox Charbroiler which includes seven 6 x 24-inch cast iron grates (five grates for narrow models). The rotisserie is powered by 1/4 HP, variable speed, DC motor with soft start and stop, matched with a robust two-stage gearbox.

The 6 spit unit is standard. Each spit is 44 inches long (32 inches long for narrow models), giving the rotisserie a capacity of 36–42 chickens (18–24 for narrow models). The optional 10 spit model, with all 10 spits in place, is suitable only for chicken and has a capacity of 60–70 birds. The controller and motor can be located on either side of the unit—this must be specified at the time of order. The Mt. Olympus is easily serviced via an access panel located on the controller side of the unit. A 6.5-cubic foot stainless steel Wood Handling Cart is provided with each rotisserie for easy wood storage below. Additionally, a grease receptacle, Particle Shovel and Grate Tool are included. With the optional Charbroiler model, a T-Style Brass-Bristled Brush is also included.

The unit is ETL Listed and is made in the USA. Information about additional tools and accessories can be found online at: [woodstone-corp.com](http://woodstone-corp.com).



WS-SFR-6



WS-SFR-6N



t. 360.650.1111  
tf. 800.988.8103  
f. 360.650.1166

Wood Stone Corporation  
1801 W. Bakerview Rd.  
Bellingham, WA 98226 USA  
[info@woodstone-corp.com](mailto:info@woodstone-corp.com)  
[woodstone-corp.com](http://woodstone-corp.com)

REVISED: SPRING 2017

An ongoing program of product improvement may require us to change specifications without notice.



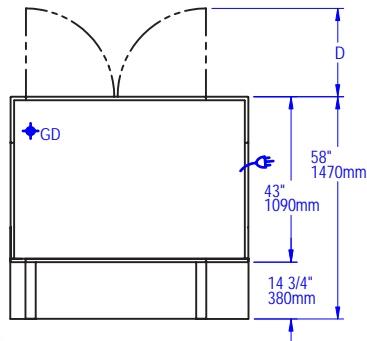
# MT. OLYMPUS SOLID FUEL ROTISSERIE • WS-SFR-#

Note: The drive side is determined from the rear of the unit and can be installed on either side of the unit. The right-hand drive model mirrors the left-hand drive model (shown below) exactly. Drive side must be specified at the time of order.

This unit is on casters. Service access is from the side panels—both sides must be accessible for service.

\*Drawings are of a 6 spit model with a left-hand drive.

## PLAN VIEW\*

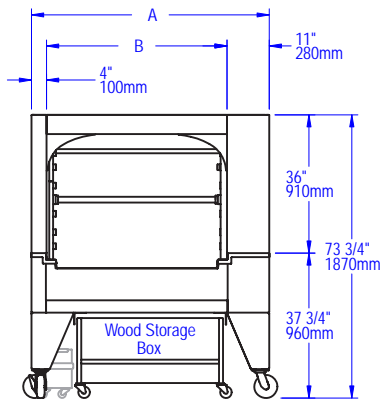


## GUIDE TO MODEL NUMBERS

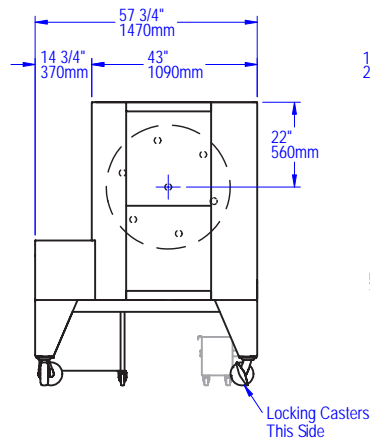
MODEL	Units	A	B	C	D	E	F	Ship Weight
WS-SFR-6	inches	62	47	47	23	58	14.75	2,000 lb
	mm	1575	1194	1194	584	1473	375	907 kg
WS-SFR-6N	inches	50	35	35	17	58	14.75	2,000 lb
	mm	1270	889	889	432	1473	375	907 kg

H	Control Panel
GD	Grease Drain
	Cord with NEMA 5-15 Plug

## FRONT VIEW

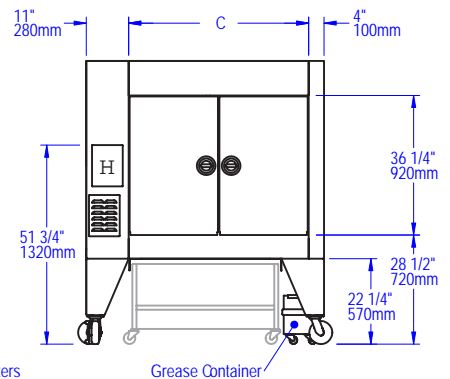


## SIDE VIEW



## REAR VIEW (DRIVE SIDE)

Left-hand drive configuration shown.



## UTILITIES SPECIFICATIONS

GAS  
N/A

ELECTRICAL  
120 VAC, 2.5 A, 60 Hz  
NEMA 5-15 plug. Unit plugs into a standard 120 VAC, 15 A outlet.

## VENTING INFORMATION

The WS-SFR-# must be vented using a Listed Type 1 exhaust hood, or one constructed in accordance with NFPA 96 and all relevant local and national codes. The rotisserie must be vented as a solid fuel appliance, in accordance with all relevant local and national codes, and in a manner acceptable to the authority having jurisdiction.

**Ship Weight: See table above**



t. 360.650.1111  
tf. 800.988.8103  
f. 360.650.1166

Wood Stone Corporation  
1801 W. Bakerview Rd.  
Bellingham, WA 98226 USA  
[info@woodstone-corp.com](mailto:info@woodstone-corp.com)  
[woodstone-corp.com](http://woodstone-corp.com)

REVISED: SPRING 2017

An ongoing program of product improvement may require us to change specifications without notice.

**Wood Stone**