



WS-DO-5048 with optional Fire Box shown.

Job Name	
Model	WS-DO-5048
Item#	

HEARTH CAPACITY

Cantonese-Style Ducks:	8
Peking-Style Ducks:	6

FEATURES

- Visible Flame
- High Production
- Gas or Gas/Wood Combination
- Available with Air-Cooled Viewing Window
- Easy to Clean
- Facade Friendly
- Removable Grease Pan
- Thermal Cleaning Door
- Optional Fire Box

The Wood Stone Duck Oven 5048 was designed from the ground up to be a high quality, high production, stone hearth duck oven. The oven features double doors that open to allow easy access to the cooking chamber through a 21.75 inch wide x 28 inch tall opening. The oven incorporates 3-inch thick ceramic walls in a multi-panel wall design that supports a 3-inch thick ceramic monolithic ceiling panel. Each panel is fully insulated which allows for a 1-inch side clearance to combustible construction. The body of the oven is covered with galvanized steel and is supported by an enclosed heavy-duty steel frame which is painted black. The oven includes a removable grease collection system for the cooking chamber, accessible behind the hinged service panel, and an interior oven light, controlled by a switch on the front panel.

The ceramic interior is heated by two powerful, independently adjustable radiant burners located on each side of the oven chamber. Each burner is individually controllable by the chef. The heat distribution in the oven can be adjusted to meet the needs of a variety of menu items.

The Duck Oven can be configured to burn Natural Gas or Propane—this should be specified at the time of order. An optional Fire Box is available to burn small amounts of wood or charcoal at the front of the oven.

The Duck Oven arrives completely assembled, ETL Listed, ready to install and is made in the USA. Information about custom finishes, tools and accessories can be found online at: woodstone-corp.com.



t. 360.650.1111
tf. 800.988.8103
f. 360.650.1166

Wood Stone Corporation
1801 W. Bakerview Rd.
Bellingham, WA 98226 USA
info@woodstone-corp.com
woodstone-corp.com

REVISED: SPRING 2017

An ongoing program of product improvement may require us to change specifications without notice.



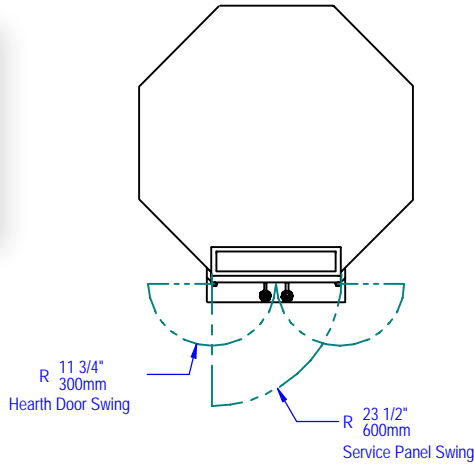


DUCK OVEN

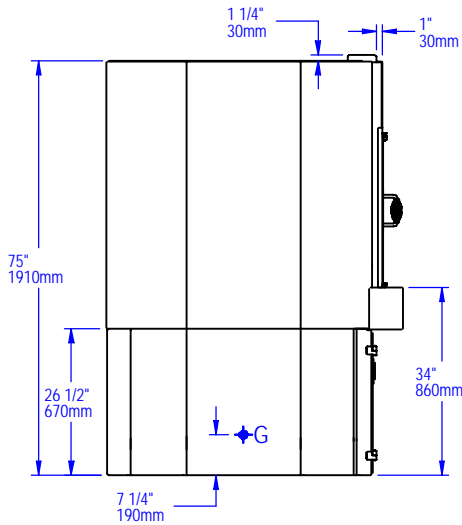
STONE HEARTH OVEN • WS-DO-5048

	Electrical Connection
	Gas Connection
	Must Be Left Removable for Service

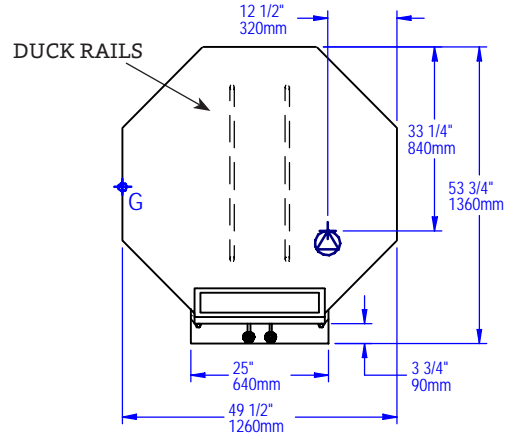
PLAN VIEW W/DOOR SWING



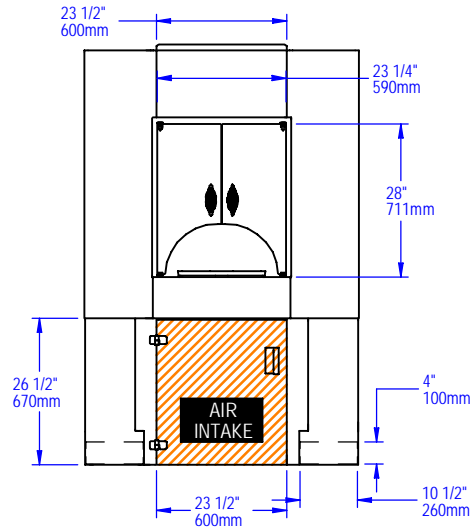
SIDE VIEW



PLAN VIEW



FRONT VIEW



UTILITIES SPECIFICATIONS

GAS
 3/4 inch gas inlet (FNPT)
 100,000 BTU/hr - Natural Gas (NG)
 OR
 100,000 BTU/hr - Propane (LP)

Note: Gas type must be specified at time of order.

ELECTRICAL
 120 VAC, 1 A, 60 Hz
 Connection made on back of oven as shown. Open hinged service panel for access.

VENTING INFORMATION

The WS-DO-5048 must be vented with a Listed Type 1 exhaust hood, or one constructed in accordance with NFPA 96 and all relevant local and national codes. The oven must be vented in accordance with all relevant local and national codes, and in a manner acceptable to the authority having jurisdiction.

Ship Weight: 3,300 lbs / 1,497 kg



t. 360.650.1111
 tf. 800.988.8103
 f. 360.650.1166

Wood Stone Corporation
 1801 W. Bakerview Rd.
 Bellingham, WA 98226 USA
info@woodstone-corp.com
woodstone-corp.com

REVISED: SPRING 2017

An ongoing program of product improvement may require us to change specifications without notice.

