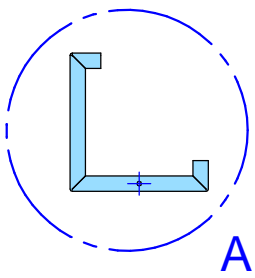
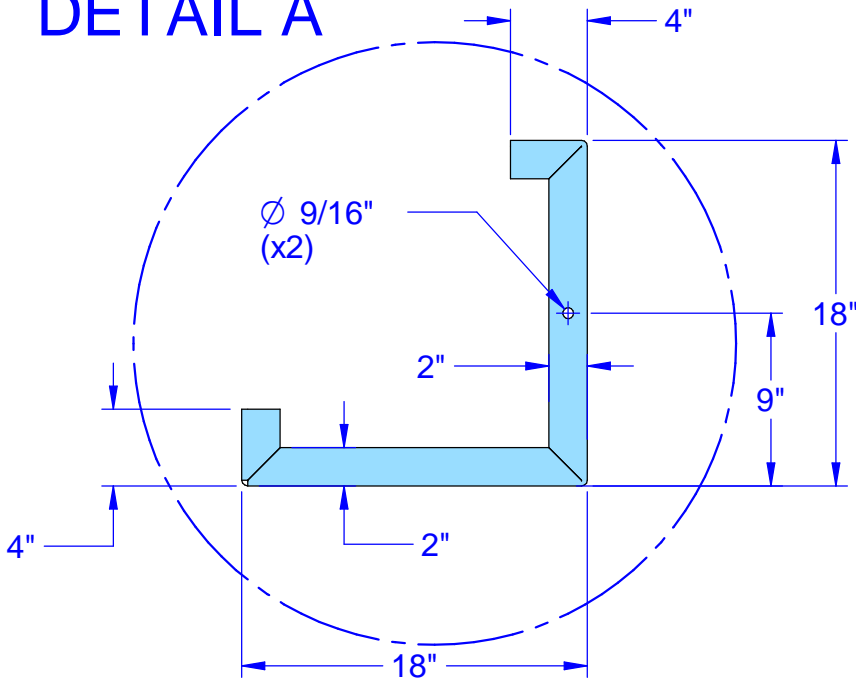


Caution: Protect floor when using transport casters.

Contact Area of Oven Stand	297.00	in ²
	2.06	ft ²
Oven Weight	11,500	lb
PSF Floor Loading of Oven Stand	5,576	lb/ft ²
PSI Floor Loading of Oven Stand	38.72	lb/in ²

DETAIL A



Oven's Contact Area with Floor

DIMENSIONS ARE IN INCHES
 LINEAR TOLERANCES ±1/4"
 UNLESS NOTED OTHERWISE

THE INFORMATION CONTAINED IN THIS DRAWING IS THE SOLE PROPERTY OF WOOD STONE CORPORATION
 ANY REPRODUCTION OR USE IN PART OR AS A WHOLE WITHOUT THE WRITTEN PERMISSION OF WOOD STONE IS PROHIBITED

SHEET: 1 of 1	REV: 0
DWN BY: charleyh	
PART #: 001-5090112-FP	
DATE: 10/24/2016	