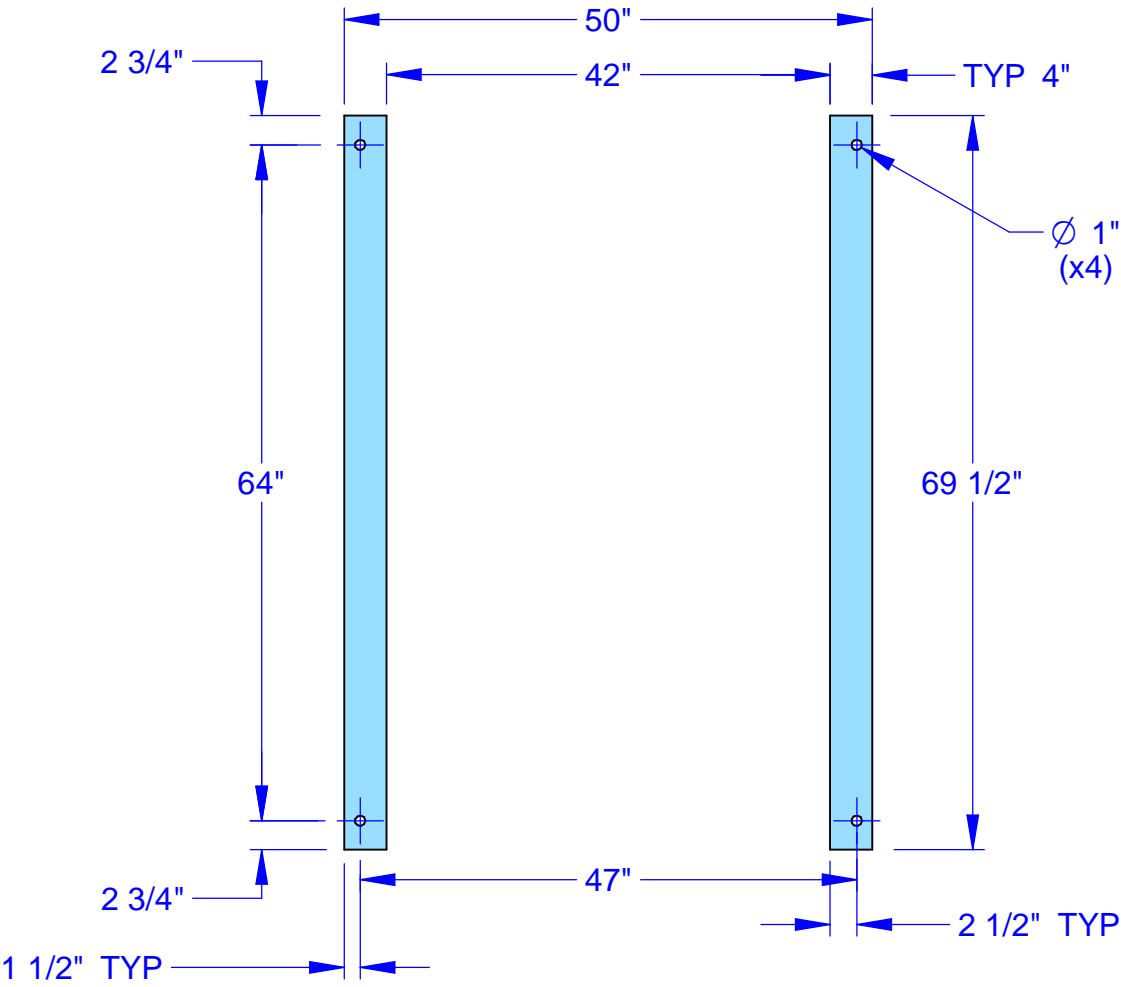


Contact Area of Oven Stand	556 in ²	358709 mm ²
	3.86 ft ²	0.359 m ²
Oven Weight	6,000 lb	26688 N
Floor Loading of Oven Stand	1,554 lb/ft ²	74400 N/m ²
	10.79 lb/in ²	74 kPa



Oven's Contact Area with Floor

An ongoing program of product improvement may require us to change specifications without notice.

DIMENSIONS ARE IN INCHES
TOLERANCES: LINEAR $\pm 1/4$, ANGULAR $\pm 2^\circ$
UNLESS NOTED OTHERWISE

THE INFORMATION CONTAINED IN THIS DRAWING IS THE SOLE PROPERTY OF WOOD STONE CORPORATION
ANY REPRODUCTION OR USE IN PART OR AS A WHOLE WITHOUT THE WRITTEN PERMISSION OF WOOD STONE IS PROHIBITED

Wood Stone

Bellingham, WA 98226 (360) 650-1111 www.woodstone-corp.com

Mt. Rainier 7' (WS-MS-7) Foot Print

SHEET: 1 of 1

DWN BY: charleyh

PART #: 001-507-FP

DATE: 5/30/2013

REV:

2