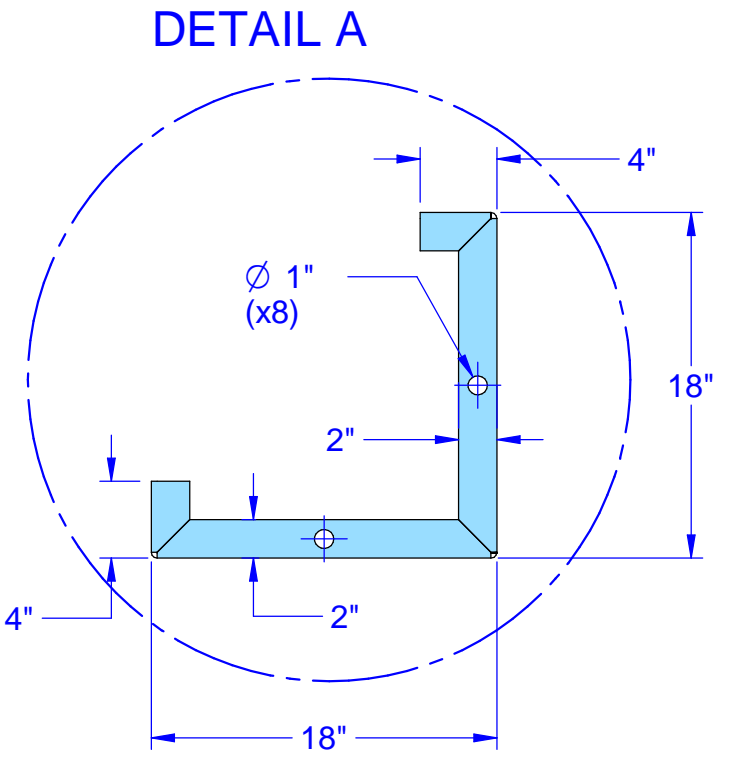
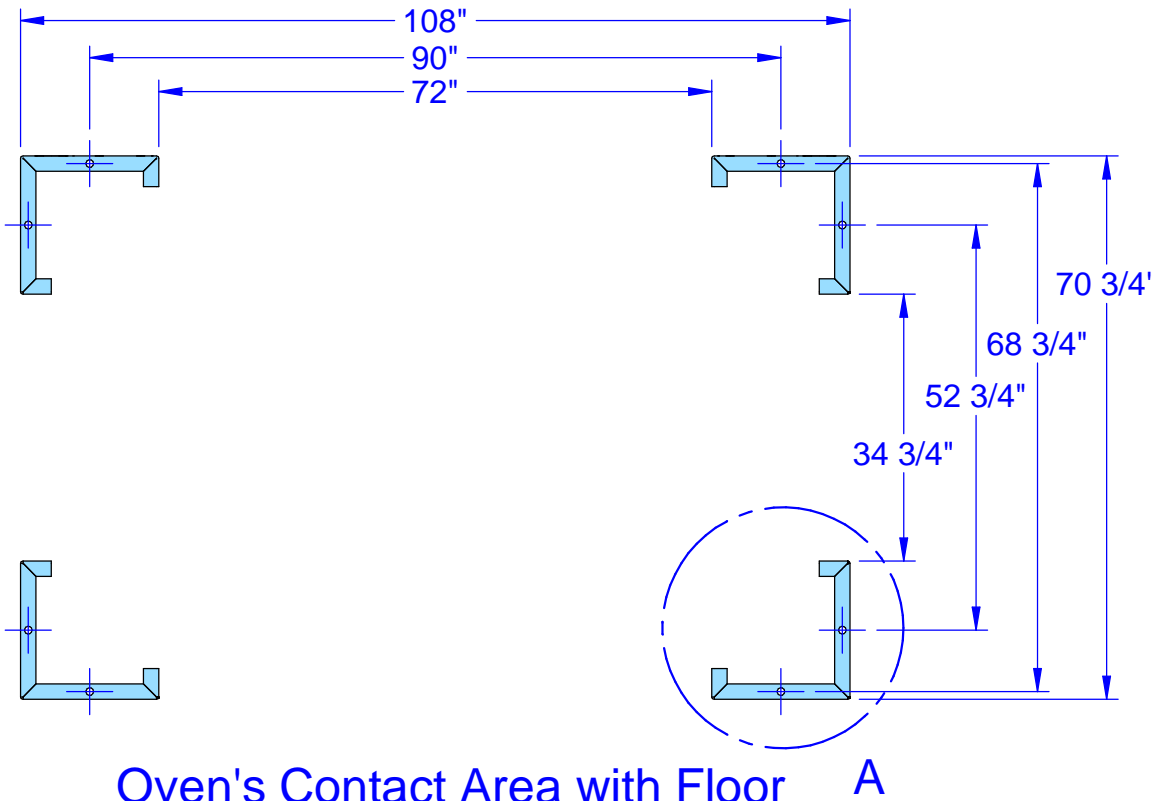


Caution: Protect floor when using transport casters.

Contact Area of Oven Stand	297.00	in ²
	2.06	ft ²
Oven Weight	9,425	lb
PSF Floor Loading of Oven Stand	4,570	lb/ft ²
PSI Floor Loading of Oven Stand	31.73	lb/in ²



DIMENSIONS ARE IN INCHES
 LINEAR TOLERANCES ±1/4"
 UNLESS NOTED OTHERWISE

Wood Stone
 Bellingham, WA 98226 (360) 650-1111 www.woodstone-corp.com

THE INFORMATION CONTAINED IN THIS DRAWING IS THE SOLE PROPERTY OF WOOD STONE CORPORATION
 ANY REPRODUCTION OR USE IN PART OR AS A WHOLE WITHOUT THE WRITTEN PERMISSION OF WOOD STONE IS PROHIBITED

WS-FD-11275 - Fire Deck Stone Hearth Oven
Foot Print

SHEET: 1 of 1	REV: 1
DWN BY: charleyh	
PART #: 001-5011275-FP	
DATE: 10/24/2016	