

# Installation and Operation Manual



## **COAL-FIRED OVEN**

Stone Hearth Speciality Oven

---

*Gas/Coal Combination Models*

---

**FIRE DECK 9660** WS-FD-9660-CL

**FIRE DECK 11260** WS-FD-11260-CL

**Wood Stone**

**WOOD STONE CORPORATION**

1801 W. Bakerview Rd.  
Bellingham, WA 98226 USA

Toll Free 800.988.8103

Tel 360.650.1111

Fax 360.650.1166



**TABLE OF CONTENTS**

Fire Deck Coal-Fired Ovens . . . . . 3  
Cautions & Warnings . . . . . 4  
FD-9660-CL Specifications . . . . . 6  
FD-11260-CL Specifications . . . . . 7  
Unloading & Moving the Oven . . . . . 8  
Optional Temp Caster Install . . . . . 9  
Placing & Installation . . . . . 10  
Installation Clearances . . . . . 11  
Facade Requirements . . . . . 12  
Venting . . . . . 13  
Flue Adapter Installation . . . . . 15  
Hood Specifications . . . . . 16  
Hood Installation . . . . . 18  
Gas Specifications . . . . . 19  
Electrical Specifications . . . . . 21  
Controller . . . . . 22  
Initial Start-Up . . . . . 23  
Daily Oven Operation . . . . . 24  
Coal Use Overview . . . . . 25  
Daily Maintenance . . . . . 30  
Periodic Thermal Cleaning . . . . . 31  
Troubleshooting Guide . . . . . 32  
Electrical Diagrams . . . . . 33  
Interlock Diagram . . . . . 36  
Limited Warranty . . . . . 39



**INSTALLATION AND OPERATION MANUAL FOR THE  
WOOD STONE FIRE DECK COAL-FIRED OVEN**

**STONE HEARTH COOKING EQUIPMENT  
FIRE DECK COAL-FIRED OVEN  
WS-FD-9660-(L,R)-IR-CL AND WS-FD-11260-(L,R)-IR-CL**

**ADDITIONAL MANUAL COPIES AVAILABLE UPON REQUEST**



Shown: WS-FD-9660-RFG-L-IR-CL



**INSTALLATION AND OPERATION MANUAL FOR THE  
WOOD STONE FIRE DECK OVEN  
STONE HEARTH COOKING EQUIPMENT  
WS-FD-9660-CL AND WS-FD-11260-CL MODELS EQUIPPED FOR COAL BURNING**

**RETAIN THIS MANUAL FOR FUTURE REFERENCE**

Additional copies of this manual at [woodstone-corp.com](http://woodstone-corp.com).

For prompt responses to service/maintenance questions, call us at @ 1-800-988-8103.

**READ ALL INSTRUCTIONS BEFORE INSTALLING AND USING THIS APPLIANCE**

Please read this entire manual before you install the oven. Failure to follow instructions may result in property damage, bodily injury or even death. Contact your local building or fire officials about restrictions and installation inspection in your area.

IF THIS OVEN IS NOT PROPERLY INSTALLED A FIRE MAY RESULT. TO REDUCE THE RISK OF FIRE, FOLLOW THESE INSTALLATION INSTRUCTIONS. A MAJOR CAUSE OF OVEN RELATED FIRES IS FAILURE TO MAINTAIN REQUIRED CLEARANCES (AIR SPACES) TO COMBUSTIBLE MATERIALS. IT IS OF THE UTMOST IMPORTANCE THAT THIS OVEN BE INSTALLED ONLY IN ACCORDANCE WITH THESE INSTRUCTIONS.

**WARNING:** Improper installation, adjustment, alteration, service or maintenance can cause property damage, injury or death. Read the installation, operation and maintenance instructions thoroughly before installing or servicing this equipment.

**AVERTISSEMENT:** L'installation, le réglage, la modification, la réparation ou l'entretien incorrect de cet appareil peut causer des dommages matériels, des blessures ou la mort. Lire attentivement les instructions d'installation, de fonctionnement et d'entretien avant de procéder à son installation ou entretien.

COAL FUEL - TO ENSURE CLEANEST EMISSIONS POSSIBLE, USE ONLY **ANTHRACITE COAL**. MANY VARIETIES OF COAL CONTAIN CHEMICAL IMPURITIES THAT CAN DAMAGE THE OVEN CERAMIC. USING **ANTHRACITE COAL** MINIMIZES THE CHANCE OF CHEMICAL DAMAGE TO THE OVEN CERAMIC. USE OF ANY COAL OTHER THAN **ANTHRACITE COAL** WILL VOID THE WARRANTY ON THE OVEN CERAMIC AND MAY LEAD TO INCREASED PARTICULATE AND OTHER EMISSIONS FROM THE OVEN WHEN COAL IS USED.



**IMPORTANT:** Consult your local gas supplier for a statement outlining a procedure to be followed in the event you smell gas. Post the statement in a prominent location.

**FOR YOUR SAFETY:** Do not store or use gasoline or other flammable vapors or liquids in the vicinity of this or any other appliance.

**ESURE DE SÉCURITÉ:** Ne pas entreposer ni utiliser de essence ni autres vapeurs ou liquides inflammables à proximité de cet appareil ou de tout autre appareil.

**Always keep the area under and around this appliance free and clear of any and all combustible materials.**

**CAUTION:** Never use gasoline, gasoline-type lantern fuel, kerosene, charcoal lighter fluid or similar liquids to start or freshen up a fire in this oven. Keep all such liquids well away from this oven when in use.

**CAUTION: DISCONNECT POWER TO THE OVEN BEFORE SERVICING OR CLEANING.**

It is recommended that this oven be installed, maintained and serviced by authorized professionals.

**WARNING:** In the event of a power failure, no attempt should be made to operate this appliance.

This product must be installed by a licensed plumber or gas fitter when installed within the Commonwealth of Massachusetts.

### SAVE THE INSTRUCTIONS

Wood Stone Fire Deck Coal-Fired ovens  
have been tested and approved by Intertek Testing Services and  
conform to ANSI Z83.11, UL 2162 and UL 737;  
are certified to CSA 1.8, ULC S627 and CGA 2.17;  
and to NSF/ANSI 4.



**Intertek**  
ANSI Z83.11  
CSA 1.8



**Intertek**  
ANSI/NSF 4



- Air intake: Do not facade or cover over
- Must be left removable for service

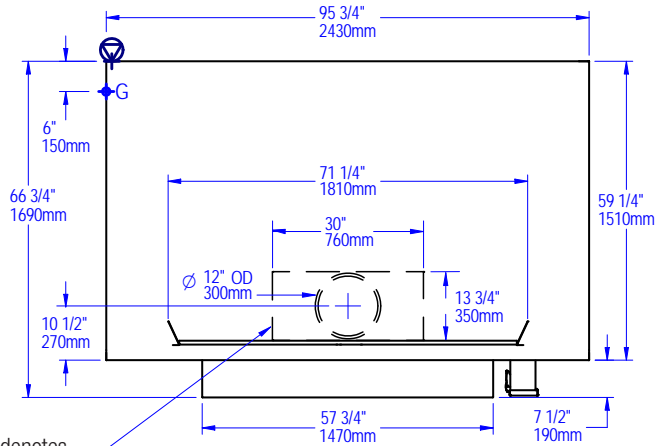
**Unit weight:**  
**5,700 lbs**

**Shipping weight:**  
**6,000 lbs.**

Model shown: WS-FD-9660-RFG-L-CL

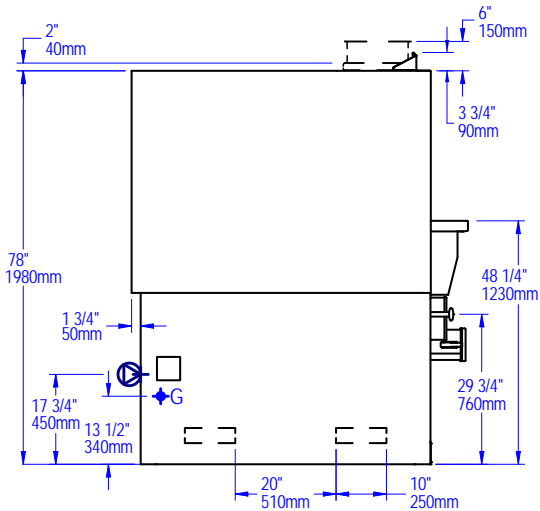
**NOTE:** Using the temporary optional casters will add 3" to the total height of the oven, for a total of 84-3/4".

Plan view

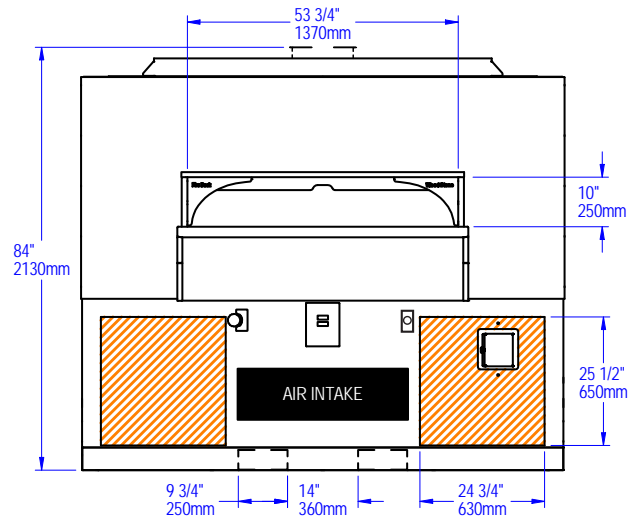


Dashed outline denotes flue opening used for hood installations (direct connect adapter removed)

Side view



Front view



### UTILITY SPECIFICATIONS

**Gas**  $\ominus$   
1" FNPT gas inlet  
225,000 BTU/hr Natural Gas (NG)  
**OR**  
225,000 BTU/hr Propane (LP)  
**Maximum gas inlet pressure:**  
1/2 psi (14 inches W.C.)

**Electrical**  $\oplus$   
120 VAC, 4 A, 50/60 Hz  
Utility connections made on left side of oven as shown.

### Venting

This oven may be vented with a Listed Type 1 exhaust hood **OR** directly connected at the 12-inch O.D. oven flue collar to a power-ventilated, grease-rated chimney **OR** an exhaust hood constructed in accordance with NFPA 96 and all relevant local and national codes. The oven must be vented in accordance with all relevant local and national codes, and in a manner acceptable to the authority having jurisdiction.

**IMPORTANT:** This model must be vented as a solid fuel appliance.



- Air intake: Do not facade or cover over
- Must be left removable for service

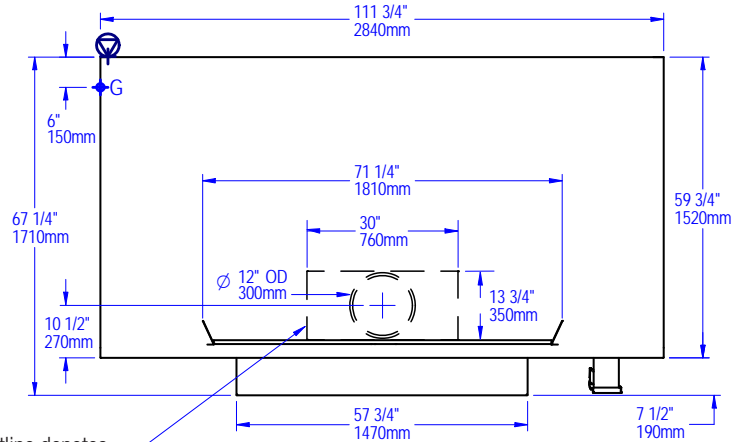
**Unit weight:**  
**6,415 lbs**

**Shipping weight:**  
**6,800 lbs.**

Model shown: WS-FD-11260-RFG-L-CL

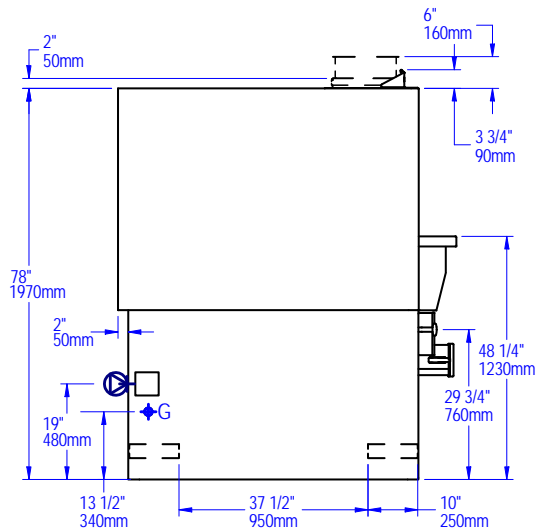
**NOTE:** Using the temporary optional casters will add 3" to the total height of the oven, for a total of 84-3/4".

**Plan view**

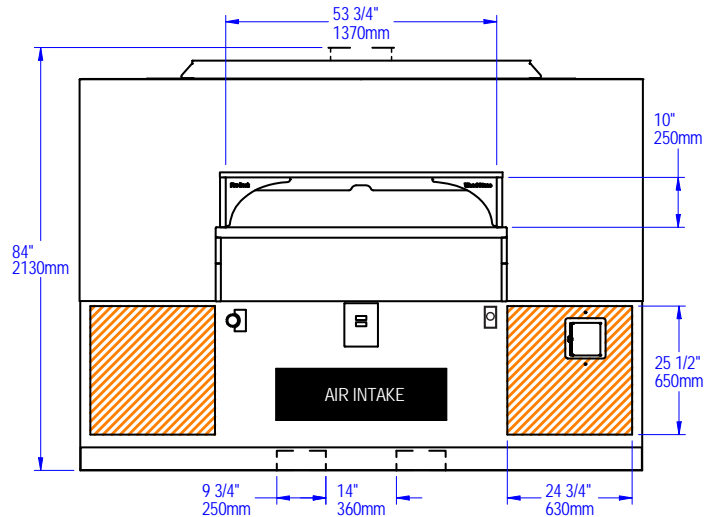


Dashed outline denotes flue opening used for hood installations (direct connect adapter removed)

**Side view**



**Front view**



### UTILITY SPECIFICATIONS

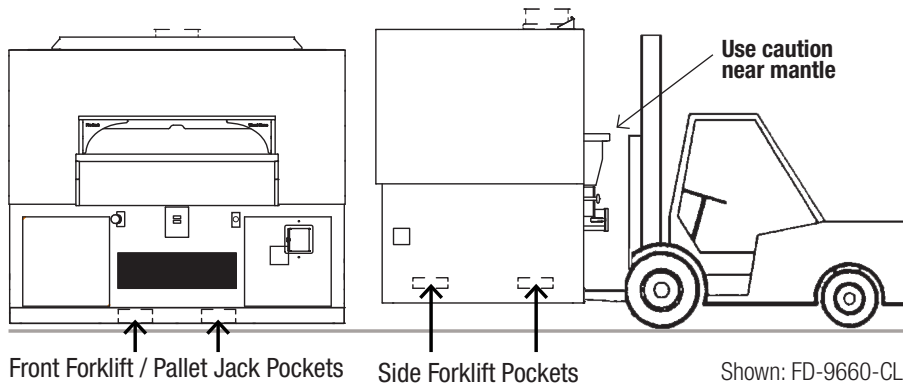
**Gas** ⚡  
1" FNPT gas inlet  
225,000 BTU/hr Natural Gas (NG)  
**OR**  
225,000 BTU/hr Propane (LP)  
*Maximum gas inlet pressure:*  
1/2 psi (14 inches W.C.)

**Electrical** ⚡  
120 VAC, 4 A, 50/60 Hz  
Utility connections made on left side of oven as shown.

### Venting

This oven may be vented with a Listed Type 1 exhaust hood **OR** directly connected to the 12-inch O.D. oven flue collar to a power-ventilated, grease-rated chimney **OR** an exhaust hood constructed in accordance with NFPA 96 and all relevant local and national codes. The oven must be vented in accordance with all relevant local and national codes, and in a manner acceptable to the authority having jurisdiction.

**IMPORTANT:** This model must be vented as a solid fuel appliance.



<b>⚠ WARNING</b> Minimum Required Forklift Capacities		
<b>6' FORKS MINIMUM</b>		
Model	Lifting from Front or Rear	Lifting from Sides
FD-9660-CL	11,000 lbs	13,000 lbs
FD-11260-CL	12,000 lbs	17,000 lbs

### USING A FORKLIFT

The Wood Stone Fire Deck 9660 weighs approximately 6,000 lbs., and the Fire Deck 11260 weighs approximately 6,800 lbs. Both are top heavy.

Use a forklift with adequate fork lengths and lifting capacity. When using a forklift, always use the forklift pockets. Lifting the oven any other way with a forklift may result in damage. Use extreme caution and make sure that the forks extend all the way through the pockets provided. The fork pockets accommodate forks up to 9" wide. Fork length must be at least 6' long. If it is necessary to approach the oven from the front, be sure the mast does not contact the mantle (shelf).

There are fork pockets at the front and sides of the oven. **Note:** Forklift capacity is different if lifting from the front/rear or the sides. Once the oven is on a **smooth flat level** surface it can be rolled on its optional heavy-duty, temporary shipping Casters (details next page).

### USING A PALLET JACK

The oven may also be moved with a Pallet Jack using the front or rear fork pockets only. **DO NOT ATTEMPT TO MANUALLY ROLL THE OVEN UP OR DOWN A RAMP OR INCLINE.** Do not position yourself between the moving oven and an immovable object or surface such as a wall or door frame.

### DO NOT TURN THE OVEN ON ITS SIDE!

Moving a Wood Stone oven can present interesting challenges to even the most experienced riggers. Make sure to secure the proper equipment and make safety your first priority. Please don't hesitate to call the factory for technical support.

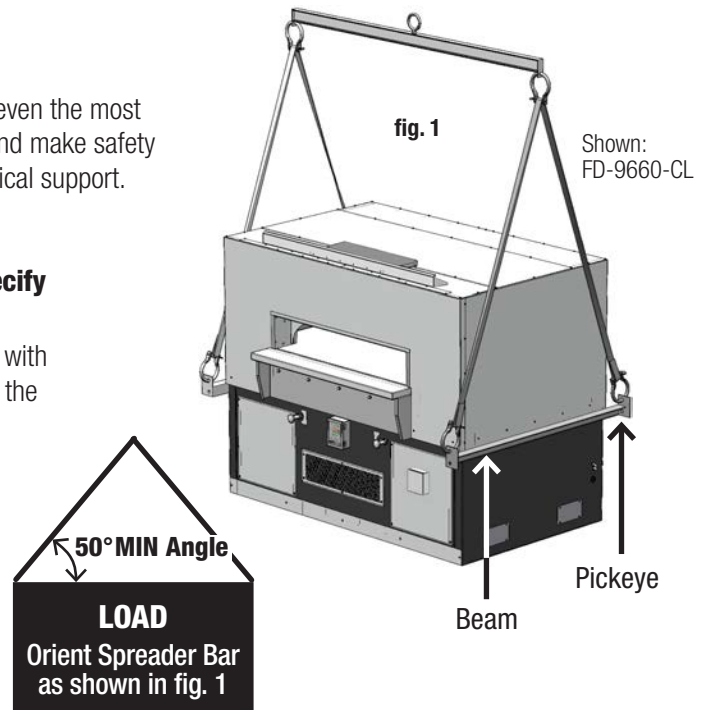
### USING A CRANE

**If you are planning to use a crane to unload the oven, specify a flatbed truck delivery.**

Use the Pickeys provided on the sides of the oven to lift the oven with a crane. The Spreader Bar should be of a sufficient length to keep the sling from contacting the oven, and oriented as shown in fig 1.

### DELIVERY NOTE

The customer will receive an Oven Shipping Notification when the oven leaves the Wood Stone factory. This will include a PRO# and a trucking company contact number. Wood Stone recommends that you confirm the delivery date/time with the trucking company before committing to heavy equipment and/or labor. Our goal is a smooth and safe delivery.







### INSTRUCTIONS FOR INSTALLING AND REMOVING OPTIONAL OVEN CASTERS

The Fire Deck 9660 weighs approximately 6,000 lbs. and the Fire Deck 11260 about 6,800 lbs.

Do not attempt to move the oven over any type of grade or sloped surface when using the Casters or Pallet Jack.

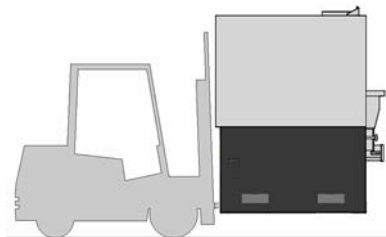
**WARNING:** Failure to follow these instructions may result in severe injury or death.

If you have any questions call Wood Stone at 800.988.8103.

**NOTE:** The casters will add 3" to the total height of the oven, for a total of 84-3/4".

The Vent Shield on top can be removed temporarily, reducing the height with casters to 83".

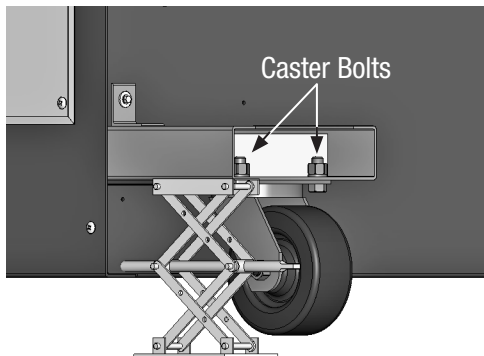
Shipping Casters are for moving the oven only. **THEY MUST BE REMOVED ONCE THE OVEN IS IN PLACE.**



- 1 Use a forklift (or pallet jack) to raise the oven using the front or rear forklift pockets.



- 2  Insert a Caster Assembly into each of the side fork pockets and secure it to the oven with a Self-Drilling Screw and washer.
  - Install the screw through the Mounting Tab.
  - Once the Caster Assemblies are installed, lower the oven.
  - It may then be rolled over a **smooth flat level** surface to its final destination.



- 3  Once at final destination, use two scissor jacks (or pallet jack) to lift the one side of the oven by placing one jack under each caster assembly.
  - Raise the oven just high enough so the wheels clear the floor.
  - Unbolt each Caster and remove it.



- 4  Lower the oven back to the ground.
  - Remove the Self-Drilling Screw and slide the rest of the Caster Assembly out of the fork pocket.
  - Install Fork Lift Covers.
  - Repeat steps 3 and 4 for the other side of the oven.
  - This oven is designed to be sealed to the floor upon installation using a silicone sealant acceptable to the local health official. See the Placing & Installation section of this manual.



### PLACING THE OVEN

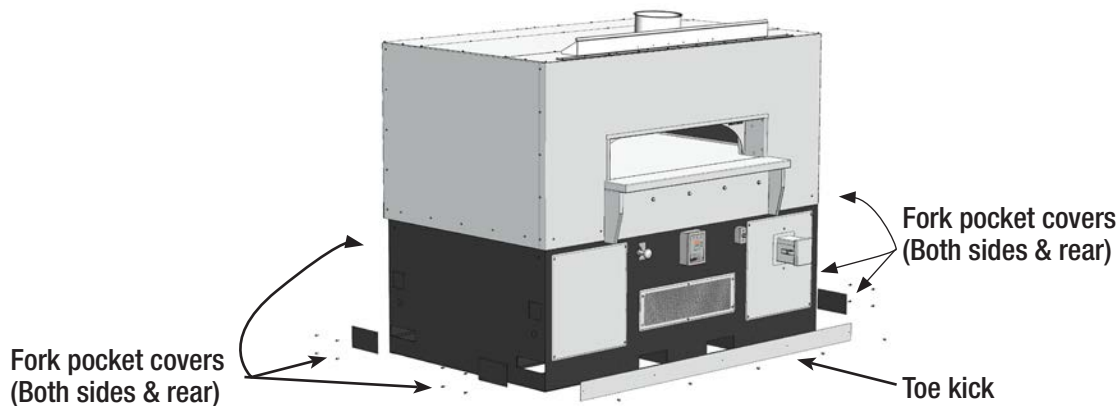
The oven must be installed on a flat level surface. The weight of the oven is carried by the full perimeter of the oven stand. If it is necessary to shim the oven for leveling purposes, it is critical that the shim material be metal, and that the shims are installed in such a way that the full perimeter of the stand is solidly supported. Any gaps created by shimming between the oven and the floor must be sealed to prevent airflow issues beneath the oven. **Failure to solidly support the full perimeter of the oven stand can result in costly damage to the oven and will void the warranty.**

The floor design and construction must be adequate to handle the weight of the oven.  
Please see [woodstone-corp.com/installation\\_footprints.htm](http://woodstone-corp.com/installation_footprints.htm) for floor loading information.

### TOE KICK AND FORK POCKET COVERS

Once the oven is in place, the Toe Kick must be installed along the front of the oven using the screws provided. Additionally, **the side and rear Fork Pocket Covers must be installed the fork pockets for the oven to operate safely.** The area under the oven must be enclosed in order to prevent pests from entering this space and to prevent air flow issues which can detrimentally effect Burner operation.

If the front of the oven is shipped facade ready, the Toe Kick will not be included. If the sides and/or rear of the oven is shipped facade ready, the Fork Pocket Covers will not be included. Pre-cut blocks of cement board or other facade material will be shipped instead of the Fork Pocket Covers. The blocks must be inserted into the Fork Pockets before the oven facade is put in place.



### FORK POCKET COVER INSTALLATION

REAR FORK POCKETS		NON-GAS INLET SIDE FORK POCKETS	
Pocket covers arrive fastened in temporary UP position.	Unfasten, lower over each fork pocket, and refasten.	Pocket covers arrive fastened in temporary UP position.	Unfasten, lower over each fork pocket, and refasten.

Note: Additional Tek screws supplied in hardware kit.

GAS INLET SIDE FORK POCKETS	
Two pocket covers will arrive fastened in temporary UP position above front-most fork pocket.	Unfasten, place one cover over each fork pocket, and refasten.

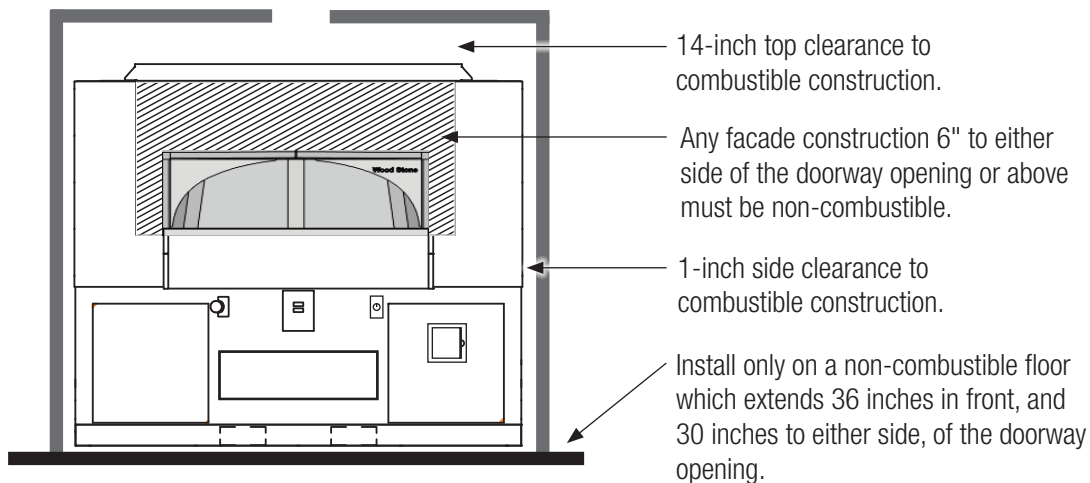


**WARNING:** Do not pack required air space (clearance) with insulation or other materials. When non-combustible building materials contact the body of the oven, the clearances to combustibles are transferred to those non-combustibles.

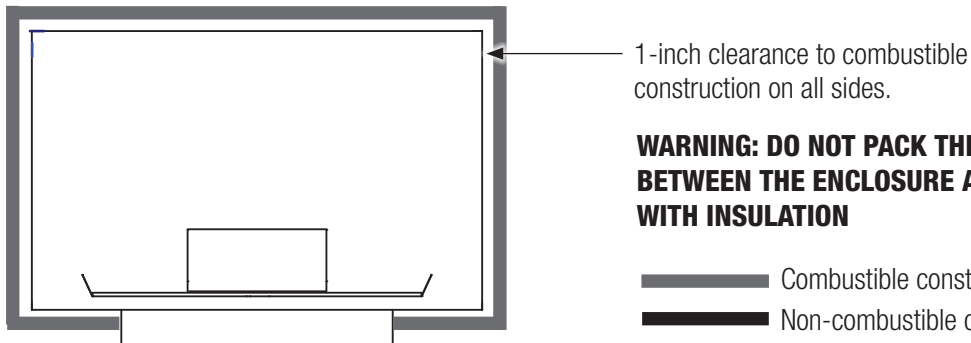
1. The Wood Stone Fire Deck 9660 and Fire Deck 11260 ovens must have a minimum 1-inch clearance to combustibles from all sides, and 14-inch clearance to combustibles from the top (see figures below). Any construction 6 inches to either side of the doorway and above must be non-combustible. If building a facade that will contact the oven, use completely non-combustible materials\*. Please note that standard Drywall (or Sheetrock) is considered a combustible. If sealing an opening between the enclosure and the oven, use non-combustible building materials.
2. Install this oven on a non-combustible floor which extends at least 36 inches in front, and 30 inches to either side of, the doorway opening.
3. Any combustibles within 3 feet of the oven doorway should be protected in a manner acceptable to the authority having jurisdiction.

\* When non-combustible building materials contact the body of the oven, the respective clearances are transferred to those non-combustibles.

**Front view**



**Plan view**

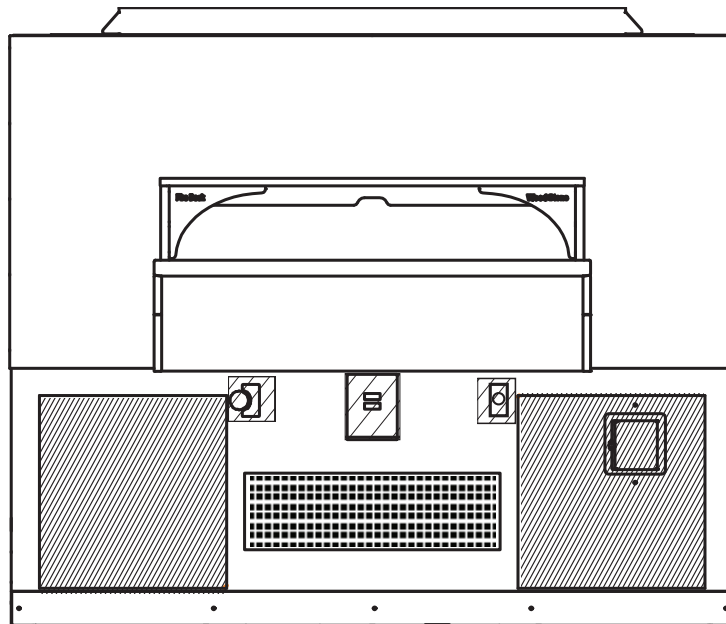


**WARNING: DO NOT PACK THE AIRSPACE BETWEEN THE ENCLOSURE AND THE OVEN WITH INSULATION**

— Combustible construction  
 — Non-combustible construction



### INSTALLATION CLEARANCES OPERATIONAL ACCESS, SERVICE ACCESS AND CRITICAL AIR INTAKE VENTILATION



Areas which **MUST** be left accessible for servicing the oven.



Area which **MUST** be left **UNOBSTRUCTED** to allow proper intake ventilation for the gas burners.



Areas which **MUST** be left open for normal operation of critical controls (Controller and Flame Height Control Knobs).

### FACADE BEST PRACTICES

Fire Deck Series ovens can be finished with any non-combustible decorative material that can be easily affixed to the oven surface, including tile, stone or brick. It is always advisable to consult with the appropriate authority having jurisdiction before proceeding as there may be regulations regarding the suitability of various materials.

1. Select materials with the appropriate temperature rating. It is not uncommon for the area above the doorway of the oven to exceed 200 °F. The tile, grout and mortar should all be considered. If applying your own underlayment, it **MUST** be non-combustible.
2. Use high-temperature silicon at butt edges. This softer material will serve as an absorptive buffer to allow for expansion of tile as it heats. Tile that butts directly to a piece of steel risks breaking or popping loose as it expands.
3. The number one cause of damage to tiles is poor ventilation. Always ensure that your Wood Stone oven is properly exhausted, as insufficient exhaust will cause extra heat to exit via the oven door and potentially cause damage to tile.



It is never appropriate to use “B vent” in any part of an exhaust system connected to this oven. The venting system must be inspected and cleaned at least every 3 months or as necessary, and **at least monthly with solid fuel applications**. Wood Stone ovens with model numbers containing a suffix “-CL” must be vented as a solid fuel appliance (in accordance with NFPA 96). All combustion products and cooking vapors from the Wood Stone Fire Deck 9660 and the Fire Deck 11260 vent through a 12-inch O.D. flue collar located on the top of the oven, above the doorway.

**THE FOLLOWING ARE THE MANUFACTURER’S RECOMMENDATIONS FOR VENTING THE  
FIRE DECK 9660 AND FIRE DECK 11260 OVENS WITH THE COAL BURNING OPTION.  
THERE ARE TWO OPTIONS SHOWN BELOW**

1. A Listed building heating appliance chimney, also listed as a grease duct, connected directly to the oven flue collar and provided with a power ventilator listed for restaurant appliance exhaust and rated for operation at a minimum of 450 °F. Use a stack or curb mounted fan. Wood Stone does not recommend the use of an in-line fan. A field built grease duct installed and constructed according to the requirements spelled out in NFPA 96, the Standard for Ventilation Control and Fire Protection of Commercial Cooking Operations, or the International Mechanical Code may also be used.

A static pressure of -0.14 inches water column is necessary at the oven flue collar to ensure that gas temperatures do not exceed 450 °F. Use the fan inlet. This measurement may be taken by inserting the probe of the magnahelic gauge through the oven doorway, upwards to the oven flue collar. The cubic feet per minute (CFM) required to attain this static pressure will be approximately 750 CFM.

If using direct connect, it must be on its own duct system. Do not tie a duct direct connected to an oven into a duct system serving hoods due to balancing and potential code issues. Also note that if fire suppression is required, a Type 1 hood should be used due to the higher flue temperatures associated with the direct connect type of install.

**OR**

2. A Listed Type 1 exhaust hood or one that is constructed and installed in accordance with NFPA 96, and all relevant local and/or national codes. The hood must be connected to a 450 °F rated power ventilator listed for restaurant exhaust.

**REFER TO THE EXHAUST HOOD MANUFACTURER’S INSTRUCTIONS FOR INSPECTION, MAINTENANCE AND CLEANING RECOMMENDATIONS**

**FIRE SUPPRESSION: COAL-FIRED OVENS**

Check with your local code officials to see if fire suppression is required in your area. If fire suppression is required, you must vent the oven using a Type 1 hood constructed and installed in accordance with NFPA 96. The fusible link in the hood must be rated at 450 °F minimum. Wood Stone offers Listed exhaust hoods for our ovens that are pre-piped for ANSUL R-102 fire suppression. All installations are subject to the approval of the local authority having jurisdiction.



**VERY IMPORTANT! WOOD STONE RECOMMENDS THAT YOU SUBMIT VENTING PLANS TO LOCAL CODE AUTHORITIES BEFORE PROCEEDING WITH INSTALLATION.**

**FIRE DECK VENTING**

Fire Deck model numbers containing a “-CL” must be vented in accordance with codes concerning solid fuel appliances (NFPA 96). Due to the dangers of creosote buildup and sparks entering the duct, these models must be vented separately from all other kitchen equipment and in a manner acceptable to the authority having jurisdiction. The Wood Stone customer support staff is available to answer any questions concerning installation and venting of the oven. Call 1.800.988.8103 for assistance and technical support.

Solid fuel exhaust contains creosote and other substances that accumulate in ducting, creating a risk of fire. The rate of accumulation will vary. Frequent, regularly scheduled, thorough flue cleaning is the best way to minimize the risk of flue fires.

**VENTILATION SYSTEM: CREOSOTE AND FLY ASH**

When solid fuel is burned slowly, it produces tar and other organic vapors, which combine with expelled moisture to form creosote. The creosote vapors condense in the relatively cool oven flue of a slow-burning fire. As a result, creosote residue accumulates in the duct. When ignited, this creosote makes an extremely hot fire. The duct serving this oven should be inspected at least twice a month during the first two months of operation to establish the rate of creosote (and fly ash—see below) buildup and the necessary cleaning schedule. If creosote or soot has accumulated, it should be removed to reduce the risk of a flue fire. The interior floor and dome of the oven do not require creosote or soot removal. The oven flue and exhaust system will require inspection and cleaning. The exhaust system should be inspected and cleaned per the manufacturer’s and or local code official’s recommendations.

While coal burning generally produces very little creosote, it does produce fly ash which will accumulate in the duct system. If allowed to accumulate the fly ash can block the air flow through the duct. It can also harden over time making removal much more difficult. Because of the acidic nature of the fly ash and the combustion products produced from coal burning, the entire duct system must be cleaned and inspected on a regular basis to ensure safe operation of the ventilation system.

**WOOD STONE RECOMMENDS THAT YOU SUBMIT YOUR VENTING PLANS TO THE AUTHORITY HAVING JURISDICTION BEFORE PROCEEDING WITH INSTALLATION OF ANY GAS AND/OR SOLID FUEL BURNING APPLIANCE.**



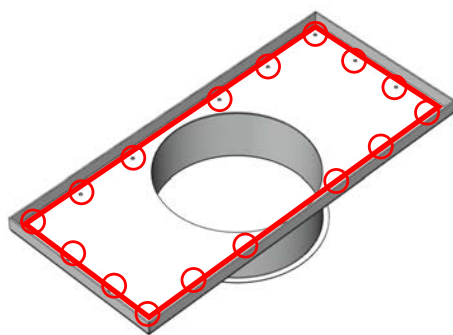
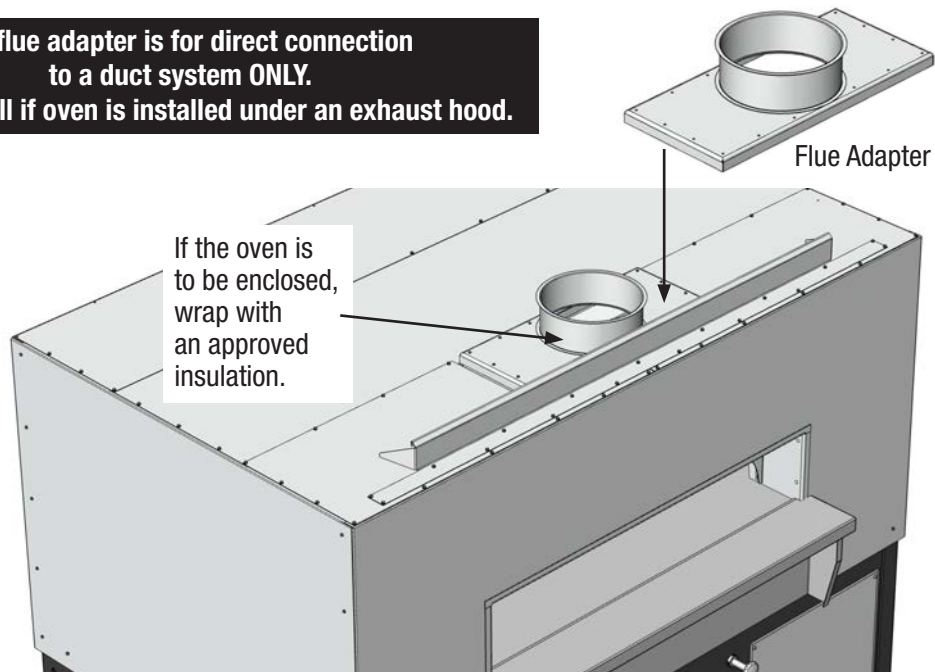


### FD-9660 / FD-11260 OVENS: FLUE ADAPTER INSTALLATION

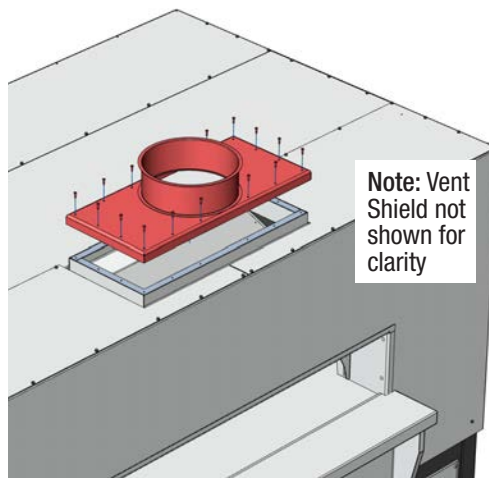
The flue adapter unit is designed to facilitate connection to a round duct. Use the provided stainless steel screws and sealant provided to attach the flue adapter to the exhaust outlet on the oven (12" O.D.)

**Note:** If using a Selkirk or other modular-type duct, attach according to the manufacturer's instructions. Otherwise, the duct must be attached with a full perimeter weld. Grease-rated duct is required throughout the system. If the oven is going to be enclosed, the flue adapter and exhaust outlet must be wrapped with an insulating material approved for use with a grease-duct.

**The flue adapter is for direct connection to a duct system ONLY.  
DO NOT install if oven is installed under an exhaust hood.**



**1** Apply the supplied Engineered Grade Ceramic Sealing Compound to the underside of the Flue Adapter with an unbroken bead around the perimeter, and around each individual screw hole.



**2** Fasten with the supplied screws.

#### STUCCO READY OVENS

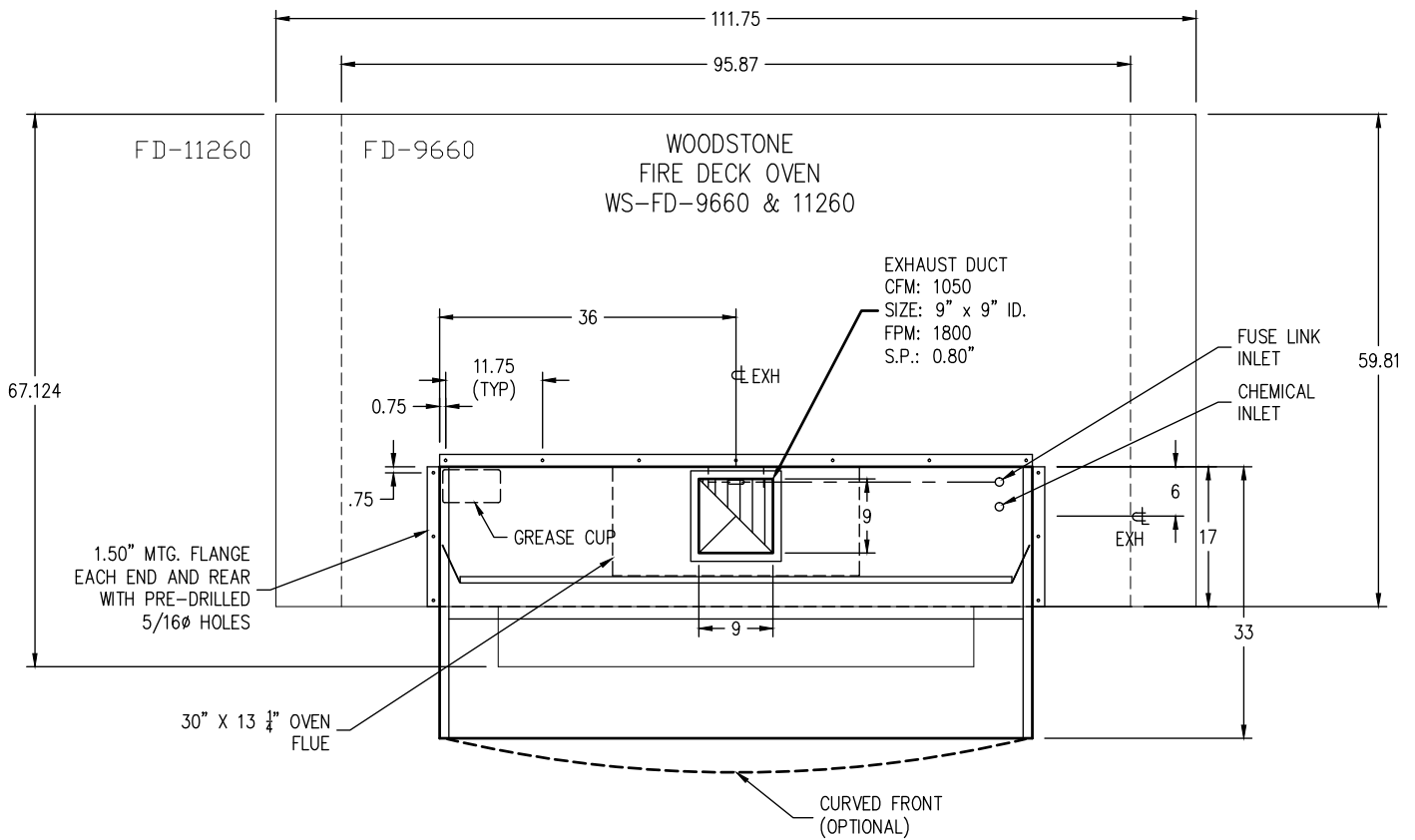
The Flue Adapter must be installed prior to any grout or stucco application. The Flue Adapter will not fit unless it is installed first.





### 9660 / 11260 HOOD - PLAN VIEW

Wood Stone Hoods by Gaylord Specifications  
 Required CFM: 1050 CFM  
 Static Pressure: 0.80" W.C.  
 Duct Collar: 9" x 9" I.D.

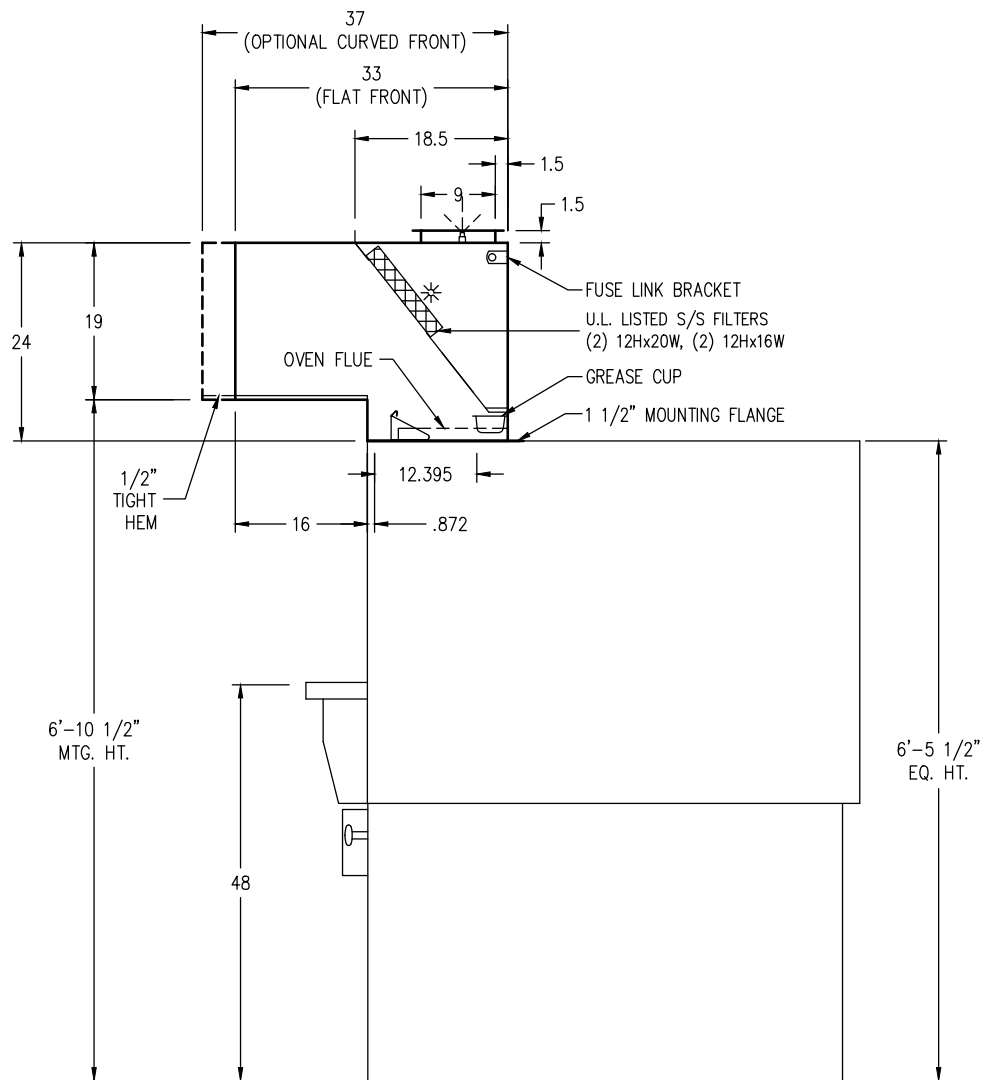






### 9660 / 11260 HOOD - SIDE VIEW

Wood Stone Hoods by Gaylord Specifications  
 Required CFM: 1050 CFM  
 Static Pressure: 0.80" W.C.  
 Duct Collar: 9" x 9" I.D.

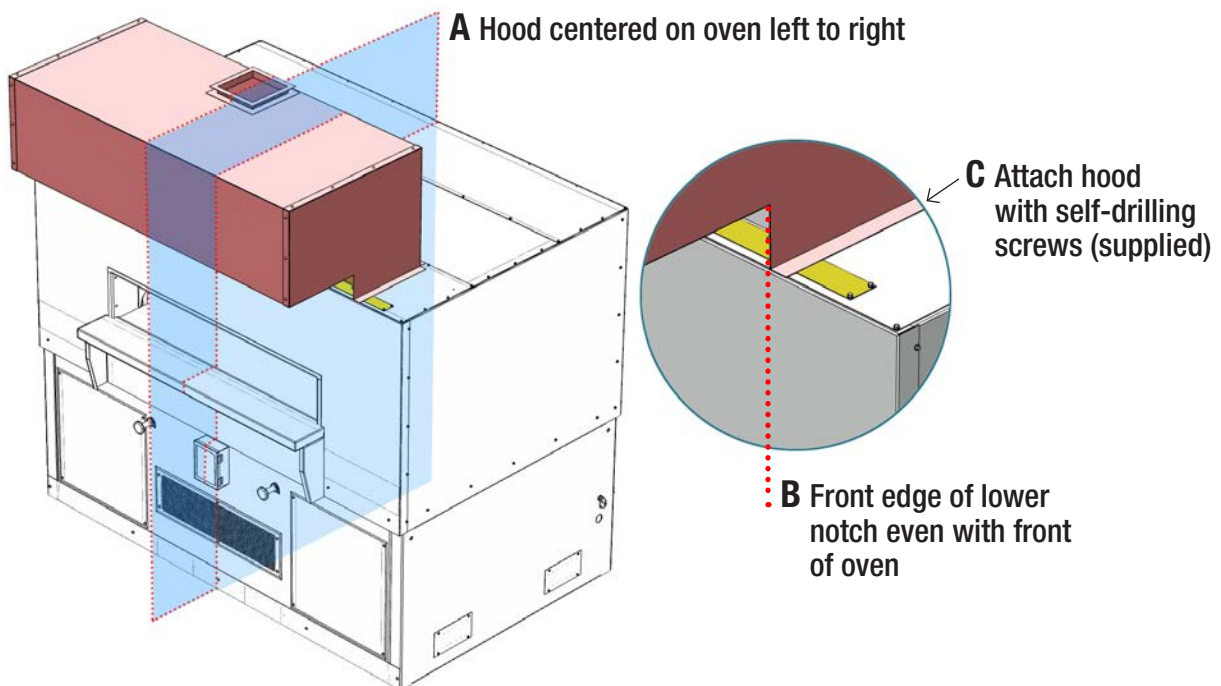




### HOOD INSTALLATIONS

In addition to the information given for installations using the direct connect venting method, the following information applies to installations where the oven is being vented using a Listed Type 1 hood.

1. To mount Wood Stone hood, determine the center line of the hood and place it on the oven in line with the center line of the oven **"A"**.
2. Mount hood as far forward on oven as possible—place the hood so the front edge of lower notch is even with the front of the oven **"B"**.
3. Attach hood to oven top by fastening flange with #10 x 1" self-drilling screws (supplied) **"C"**.
4. Attach grease rated duct to the outlet on the hood. The hood captures over the oven flue collar and oven doorway. No connection is made to the oven flue collar.





### FACTORY SPECIFIED VALVE OUTLET PRESSURES

Models <small>Note: "L" or "R" in model number reflects the location of the radiant flame burners. Coal will burn on the opposite side.</small>	Underfloor Infrared (IR) Burner	Left Side Flame Burner	Right Side Flame Burner	Natural Gas (NG)	Liquid Propane (LP)	Maximum Gas BTU/hr Input	Valve Outlet Pressure (W.C.)	
							SV-1	SV-2
WS-FD-(9660 and 11260)-RFG-L-IR-CL (Coal)	1	1		NG		225,000	3.5"	5"
					LP	225,000	9"	10"
WS-FD-(9660 and 11260)-RFG-R-IR-CL (Coal)	1		1	NG		225,000	3.5"	5"
					LP	225,000	9"	10"

**This oven requires no modifications or adjustments for use at high altitudes.**

**The installation of this appliance must conform with local codes, or in the absence of local codes, with the National Fuel Gas Code, ANSI Z223.1 or The Natural Gas Installation Code CAN/CGA-B149.1 as applicable.**

SV-1 is the gas control valve that operates the Underfloor Infrared (IR) Burner. The manifold pressure is checked at the outlet port on the SV-1 gas valve.

SV-2 (and SV-3 / SV-4 if equipped) are the gas control valve(s) that operate the interior Radiant Burner(s). The manifold pressure is checked at the outlet port on the the individual gas valve.

The burner manifold pressures have been adjusted and tested at the factory. A variety of factors can influence these pressures, so be sure to test the individual burner manifold pressures and adjust the valves as necessary to achieve the required pressures.

**NOTE:** The gas valves are shipped in the **ON** position.

### GAS CONNECTION

The Fire Deck 9660 and Fire Deck 11260 are equipped with a 1-inch FNPT gas connection. Have a licensed gas installer provide the hook-up and test all fittings and pipe connections for leaks. Use approved gas leak detectors (soap solutions or equivalent) over and around the fittings and pipe connections. **DO NOT USE A FLAME to test for leaks.**

All gas piping up to the oven must have a minimum inside diameter of 1", including all fittings and shut off valves, which should be of the full flow type.

Wood Stone recommends that the Fire Deck be equipped with a manual, individual shutoff valve, located between the oven and the main gas supply, and that this shutoff valve (supplied by others) be left readily accessible. Wood Stone also recommends that inspection and maintenance of the burners and gas piping connections of this appliance be performed at regularly scheduled intervals and only by professional gas appliance service agencies.

**Maximum inlet gas pressure must not exceed 14" W.C. (1/2 psi)****GAS INLET PRESSURE**

For ovens running on natural gas, an inlet pressure of 7 to 10" WC is recommended to ensure optimum oven performance. Incoming gas pressure below this range will affect oven performance, the lower the pressure the greater the negative impact. If the gas supply pressure is greater than 14" W.C. (1/2 psi), an external regulator, supplied by others, is REQUIRED to lower the gas pressure to the acceptable range. Issues caused by low or high gas pressure are installation issues, and will not be covered under the Warranty.

For ovens running on LP, the recommended inlet pressure to ensure optimum oven performance is 10 to 12" W.C. Incoming gas pressure below this range will affect oven performance, the lower the pressure the greater the negative impact. If the gas supply pressure is greater than 14" W.C. (1/2 psi), an external regulator, supplied by others, is REQUIRED to lower the gas pressure to the acceptable range. Issues caused by low or high gas pressure are installation issues, and will not be covered under the Warranty.

For all installations, follow best practices for proper gas line pipe sizing for the line serving the oven. To insure proper operation, all gas piping and fittings leading up to the oven should have an inside diameter equal to or greater than that of the oven gas connection. Also make sure that a readily accessible shut off valve (supplied by others) is installed near the oven, and in accordance with all applicable codes. Shut off valves must be of the full-flow type, and not introduce any restriction into the gas line.

The connection to the oven should be hard-piped whenever feasible. If this is not possible, use a properly sized flexible connector approved for this application. When using a flexible connector make sure that its design does not present any reduction in pipe diameter or other restriction. Oven issues caused by improper pipe sizing, improper shut off valves, restrictive connectors, or any other deficiency in the gas supply design or installation will not be covered under the oven warranty.

**GAS CODE LIMITATIONS**

The installation of this appliance must conform with local codes, or in the absence of local codes, with the National Fuel Gas Code, ANSI Z223.1 or The Natural Gas Installation Code CAN/CGA-B149.1 as applicable.

The appliance and its individual shutoff valve (supplied by others) must be disconnected from the gas supply piping system during any pressure testing of that system at test pressures in excess of 1/2 psi (14" W.C.) (3.45 kPa).

The appliance must be isolated from the gas supply piping system by closing its individual manual shutoff valve (supplied by others) during any pressure testing of the gas supply piping system at test pressure, equal to or less than 1/2 psi (14" W.C.) (3.45 kPa).

**ELECTRICAL****POWER CONNECTION TO THE OVEN**

Provide a 120 VAC, 15 A circuit to the terminal strip, located in the transformer junction box located beneath the oven (**Note: These models are open beneath the oven**). The terminal strip is labeled L, N and G (Line, Neutral and Ground, respectively.)

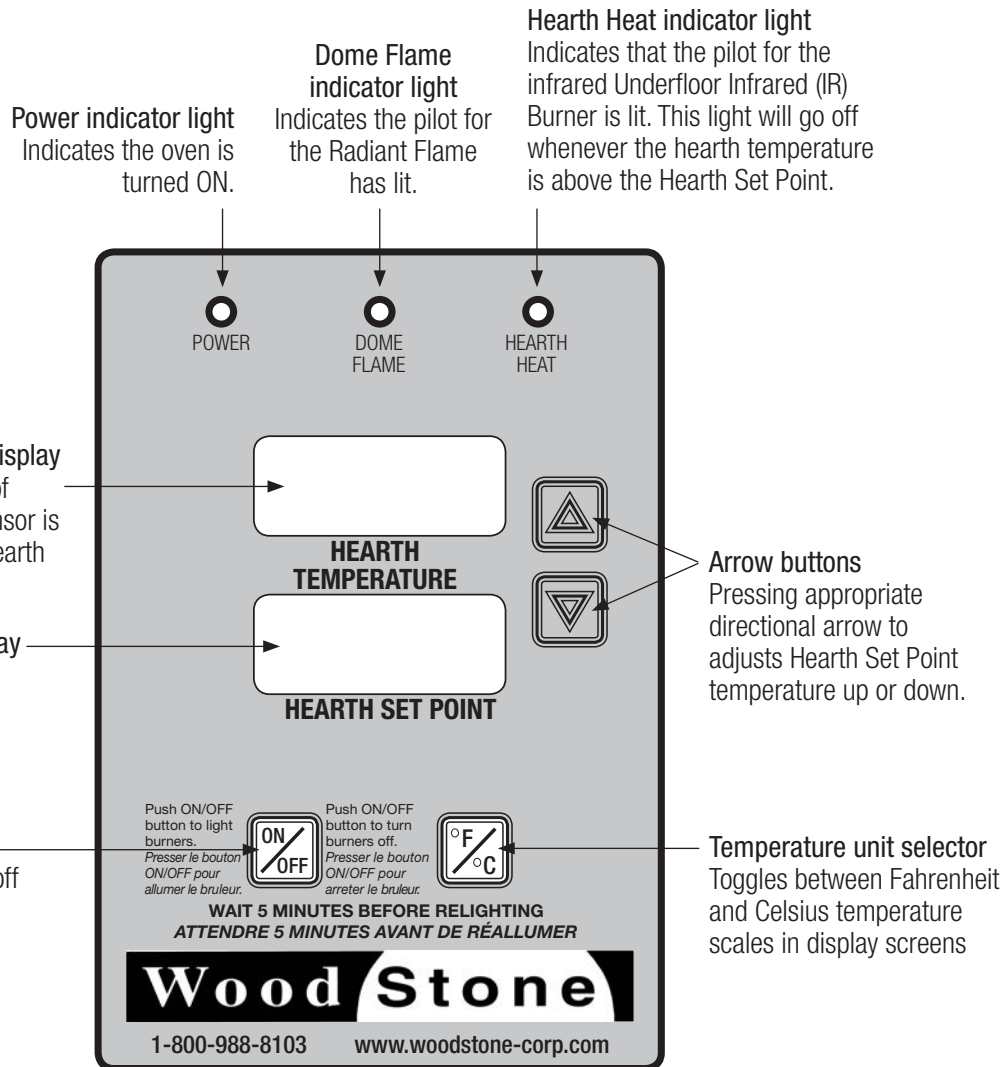
Electrical diagrams are shown in the ELECTRICAL DIAGRAMS section of this manual. They can also be found beneath the oven on the transformer plate.

**ELECTRICAL CODE LIMITATIONS**

**Electrical Grounding:** This appliance must be electrically grounded in accordance with local codes, or in the absence of local codes, with the National Electrical code, ANSI/NFPA 70 or the Canadian Electrical Code, CSA C22.1 as applicable.



### CONTROLLER FUNCTIONS



**INITIAL OVEN START-UP PROCEDURE**

Your oven was cured at the factory. However, in the course of shipment, storage on-site, etc. the ceramic materials will have absorbed moisture. It is critical that the initial oven start-up procedure below be followed to ensure that this moisture is driven from the ceramic in a controlled fashion. This will minimize cracking and prevent damage to the oven that could otherwise occur by bringing the oven to temperature rapidly the first time it is used. This initial oven start-up procedure needs only be followed the first time the oven is fired and/or if the oven has not been used for an extended period of time.

**BEFORE GETTING STARTED**

1. Make sure the individual shutoff valve (supplied by others), between the oven and the main gas supply, is in the open position and that the line has been purged of air.
2. Make sure the Honeywell gas valves beneath the oven (SV-1, and if equipped, SV-2) are in the ON position.
3. Make sure that the venting system has been tested and approved for operation and is on.

**FIRST DAY**

1. Push the ON/OFF button on the Controller touchpad. It may take a while for all of the air to be purged from the gas lines. As the pilot flames for the gas burners ignite and are sensed, the corresponding indicator lights will illuminate. The burners should come on shortly. For the first day start up on ovens equipped with the radiant dome flame burner, use the gas burners only to heat the oven. Do not use coal.
2. Leave the Hearth Set Point at the factory setting (100 °F).
3. Adjust the Radiant Flame to 50% ("3" on the Flame Height Index Scale) and allow the oven to run for a full day until the hearth temperature reaches 500 °F.

**THE OVEN IS NOW READY FOR COOKING.**

**THE STAINLESS STEEL DOOR(S) ARE USED FOR NIGHT TIME HEAT RETENTION.  
DO NOT OPERATE THE OVEN WITH DOORS IN PLACE.**

**YOU MAY NOTICE THE OVEN SHEDDING SOME WATER FOR A COUPLE OF DAYS. THIS IS NORMAL AND YOU SHOULD NOT BE ALARMED.**

**NOTE:** Small "crazing" cracks will occur with normal heating and cooling. They will not effect the performance or durability of the oven. If cracks of 1/8-inch or more in width develop, contact Wood Stone for evaluation.



### GENERAL OVEN OPERATION

Your Wood Stone coal burning oven utilizes both coal and gas heat sources and is designed to perform at its best when both are used properly. We will first look at basic operation of the gas burners, followed by a detailed discussion pertaining to the coal fire.

#### GAS BURNERS

**IMPORTANT:** If at any time you feel that the burners are not operating properly, turn the oven off and call Wood Stone for service. Before servicing, disconnect the electrical supply at the breaker and turn off the gas supply at the appliance's individual gas shutoff valve. This oven uses electronic ignition systems for the gas burners. In the event of a power failure, no attempt should be made to operate the oven.

See the following page for an illustration of the oven Controller. See the USE OF COAL OVERVIEW section in the following pages for information regarding the use of coal in the oven.

#### TURNING ON THE OVEN

- Press the ON/OFF button to start the oven.
- The Radiant Flame will ignite. This is the burner with the visible flame located in the cooking chamber. The underfloor Infrared (IR) Burner will ignite if the hearth temperature is below the Hearth Set Point to which the Controller is adjusted.

**Power Light:** Indicates the oven is turned ON.

**Dome Flame Light:** Indicates the pilot for the Radiant Flame has lit.

**Hearth Heat Light:** Indicates that the pilot for the underfloor Infrared (IR) Burner is lit. This light will go off whenever the hearth temperature is above the Hearth Set Point.

#### TURNING OFF THE GAS BURNERS

- Press the "ON/OFF" button on the Controller to turn the oven off. The burners and pilots will go out and the digital readout on the Controller will go blank. **Always wait 5 minutes before attempting to relight the oven.**

#### ADJUSTING THE RADIANT (DOME) FLAME

- To adjust the Radiant Flame burner, turn the Temperature Control Knob located near the Controller. The burner, together with the coal fire, are the primary heat sources for the oven. The Radiant Flame is always on whenever the Controller is turned on and can be adjusted to any flame height between the highest and lowest settings.

#### ADJUSTING THE HEARTH SET POINT

- The Hearth Set Point controls the operation of the underfloor Infrared (IR) Burner. This thermostatically controlled burner is intended to act as an assist during heat-up, and to help maintain the desired hearth temperature. To adjust the Hearth Set Point, use the arrows to raise or lower the setting accordingly. When the Hearth Set Point is above the actual hearth temperature, the underfloor Infrared (IR) Burner should activate, and the Hearth Heat indicator light will illuminate.

The stainless steel Night Heat Retention Doors are used to retain oven heat overnight. Never operate the oven with these doors in place.



**OVENS EQUIPPED FOR COAL BURNING**

Ovens with “-CL” in the model number are equipped to burn coal. These ovens are equipped with a blower and plenum beneath the oven that provides combustion air to the coal-fire through a grate installed in the oven deck. The coal fire must be built on this grate inside the cooking chamber of the oven. Use the blower control on the front of the oven to control the rate of air being supplied to the coal fire by the Coal Blower Fan.

As the coal burns, ash and debris will drop through the grate down into the air plenum below. To remove accumulated ash, open the Ash Chute door on the front of the oven, and using the ash rake provided with the oven, rake the ash and debris into a suitable steel container. Store the ash container in a safe place until the ash has cooled and can be disposed of.

**All coal burning ovens must be vented as solid fuel equipment!** See information below.

**USE COAL FUEL ONLY. DO NOT USE PRODUCTS NOT SPECIFIED FOR USE WITH THIS OVEN.**

**TO ENSURE CLEANEST EMISSIONS POSSIBLE, USE ONLY HIGH QUALITY ANTHRACITE COAL. MANY VARIETIES OF COAL CONTAIN CHEMICAL IMPURITIES THAT CAN DAMAGE THE OVEN CERAMIC. USING ANTHRACITE COAL MINIMIZES THE CHANCE OF CHEMICAL DAMAGE TO THE OVEN CERAMIC. USE OF ANY COAL OTHER THAN ANTHRACITE COAL WILL VOID THE WARRANTY ON THE OVEN CERAMIC AND MAY LEAD TO INCREASED PARTICULATE AND OTHER EMISSIONS FROM THE OVEN WHEN COAL IS USED.**

**CLEAN THE ASH CHUTE DAILY TO PREVENT BUILD UP OF ASH AND DEBRIS.  
FAILURE TO DO SO WILL RESULT IN DAMAGE TO THE BLOWER UNIT AND VOID YOUR WARRANTY.**

**DO NOT ATTEMPT TO USE THE RADIANT FLAME BURNER TO IGNITE THE COAL FIRE.**

**COAL SHOULD BE STORED AND HANDLED IN ACCORDANCE WITH THE RECOMMENDATIONS OUTLINED IN NFPA 96.**

The interior floor and dome of the oven do not require creosote or soot removal. The oven flue and exhaust system will require inspection and cleaning. The exhaust system should be inspected and cleaned per the manufacturer's and/or local code official's recommendations.

Dispose of ash per the following: place ashes into a metal container with a tight fitting lid. The closed container of ashes should be placed on a non-combustible floor or on the ground, well away from all combustible materials, pending final disposal. They should be retained in the closed container until all the cinders have thoroughly cooled. Ashes can then be disposed of safely.

If at any time you feel the gas components of the oven are not operating properly, turn the oven off, shut off the gas supply and call Wood Stone at 1.800.988.8103 to arrange for service.



A coal fire is much more challenging to start and is more difficult to manage than a wood fire or gas burner. Simply getting anthracite coal burning requires an ignition source in excess of 900 °F that is usually provided by a bed of burning charcoal. Dry wood by comparison burns more quickly and starts burning at around 450 °F. Coal has roughly twice the heat/energy potential of wood (13,000 BTU/hr per pound for coal versus roughly 6,500 BTU/hr per pound for wood) so accessing and managing its potential energy when and where you need it can be challenging.

Unlike a wood fire, a coal fire will not let you stir its fire or move it around without consequence. Balancing the open flame of a coal fire with the intensity of the coal bed becomes the daily challenge. If you load too much fuel, the intensity of the fire will melt metal along with your pizza. If you load too little fuel, you will find yourself starting all over to recapture the intense heat you lost by letting the coal fire burn too long without attention.

### WHAT YOU NEED TO GET STARTED

Items include:

- Safety glasses
- Solid fire starter *Never use a liquid-type fire starter or liquid fuel as a fire starter.*
- Lump wood charcoal
- Anthracite coal** (the only Wood Stone approved type of coal)
  - 25 pound scale
  - Large metal bowl
  - Paper grocery bags for pre-measured coal in 10 lb increments
- Wood/CX) coal cart
- Double Compartment Ash Dolly
- Ash Chute tool
- In-line floor brush
- Natural fiber brush
- Utility peel
- Large pizza peels

### COAL-FIRED OVEN OPERATIONAL GUIDELINES

The typical desired hearth temperature for Wood Stone coal-fired ovens is 550-580 °F. **CAUTION:** Over firing the oven with coal may cause damage to the oven ceramics. If the oven hearth temperature is above 850 °F, or flames exit the doorway or flue of the oven, you are over firing. Only use anthracite coal—see notes contained earlier in this manual.



**Note:** In these instructions the term “coal” refers to anthracite coal. The term “charcoal” refers to wood lump charcoal.

### END OF DAY

1. Turn the oven Controller to OFF.
2. Turn the Coal Blower Fan to its lowest setting, NOT OFF. Running the fan on its lowest setting overnight will help extend the life of the Coal Grates.
3. Put the Night Heat Retention doors in place to help retain heat overnight.

### START OF DAY

1. Remove Night Heat Retention doors.
2. Turn Coal Blower Fan off so fly ash is not blown around the oven.
3. Turn the Radiant Flame all the way up (heat-up flame).
4. To avoid overheating, during heat-up we recommend lowering your normal Hearth Set Point by 50 °F. In the most common scenario (550–580 °F) the Hearth Set Point becomes 500 °F.
5. Use the Ash Chute Tool to rake through the coal bed, pushing fly ash and small pieces of coal through the grate. Move any large pieces of burnt and semi-burnt coal onto the coal grate.
6. Using the Ash Chute Tool, pull yesterday’s fly ash out through the Ash Chute into the Ash Dolly.
7. Measure 5–10 lbs of charcoal and place on top of the previous day’s leftover pieces of coal.
8. Light two paraffin-type fire starters and place them beneath the larger pieces of charcoal.
9. Set the Coal Blower Fan to the high setting to speed the combustion of the charcoal.
10. When the charcoal is 50% ignited, (15–20 minutes), create an indentation on the top of the coal bed.
11. Place 10-20 lbs of anthracite coal on top of the coal bed in the indentation created above. Leave the Coal Blower Fan set to high. **Note:** Load the coal on this live bed of lump charcoal while the charcoal still has lots of heat potential left (unburned portions) or the coal will not fully light. Load the coal when you see that the initial pile of lump charcoal has burned approximately to its halfway point.
12. After the hearth temperature reaches the desired daily baking temperature (550 °F), adjust the Hearth Set Point up to 550 °F.
13. Adjust the Coal Blower Fan speed to 5 (halfway point).
14. Adjust the Radiant Flame to 5–6 inches in height. This is approximately 3 on the Flame Height Index Scale.
15. Clean the oven hearth and you are ready for cooking. Add coal and manage the Coal Blower Fan speed as necessary throughout the day.

**DURING THE DAY**

- Turn the Coal Blower Fan to “10” during heat up, or any time you add fresh coal to the fire.
- Turn the Coal Blower Fan to “10” any time you are baking pizza.
- Turn the Coal Blower Fan to “5” after heat up and when not baking.
- Always pay attention to the amount of unspent coal, time of day and cycle of business so as to keep the oven properly fueled. Keep in mind that it takes 20 to 30 minutes for newly loaded coal to fully ignite and begin generating heat.
- We recommend portioning coal into paper shopping bags in 10 pound increments to simplify temperature management. Anthracite coal has about 13,000 BTU/hr per pound, so a ten pound bag has a total of 130,000 BTU/hr.
- Most coal-fired operators bake 3-6 minute pizzas and bake at hearth temperatures between 500–600 °F, which equals around 900–1,000 °F degree dome temperature. Although these ovens can achieve higher temperatures, do not exceed a hearth temperature of 850 °F or damage may occur.
- Depending on desired cooking temperature, speed of bake and amount of production, add 10–20 pounds of coal every 1-2 hours.
- Adding coal and turning up the speed of the Coal Blower Fan will add energy to the chamber. It generally takes about 20-30 minutes to see a significant influence of adding coal and turning up the fan.
- Baking a lot of pizzas will take BTU/hr out of the chamber. Your gas burners and proper coal fire management will allow you to bake at a very consistent temperature.

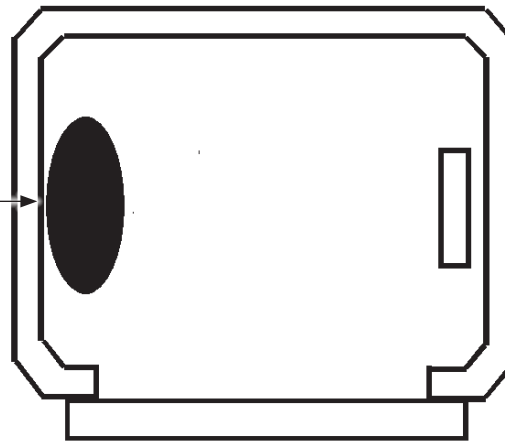
This guide is a starting place. Your desired cooking temperature, cycle of business and hours of operation will dictate your particular operational procedures. If you have any questions, call us at 1.800.988.8103.



Coal fire is burned on side opposite the Radiant Burner, over the Coal Grates.

**Note:** Coal Grates are a consumable item—life will vary depending on oven temperature, hours of operation, fuel consumption, and proper use of the Coal Blower Fan (see below). It is expected grates will require replacement approximately every 4–6 months.

Replacement grates are available from the factory.



Ash Chute



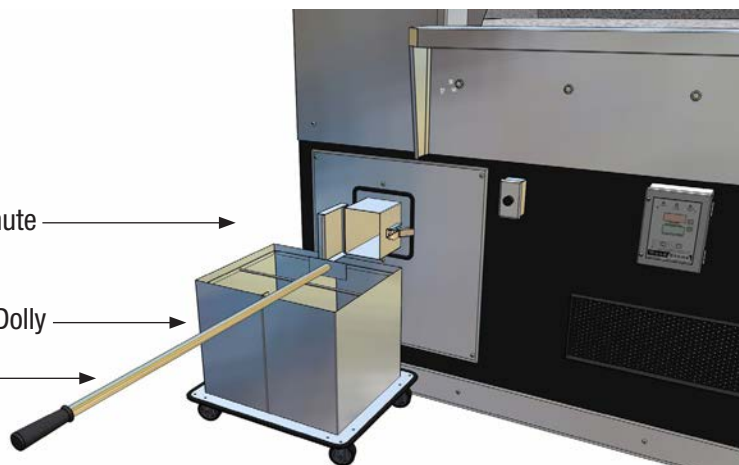
Coal Blower Fan Control

**Note:** Running the coal fan on its lowest setting overnight will help extend the life of the Coal Grates.

Removing ash from Ash Chute

Double Compartment Ash Dolly

Ash Chute Tool



**OVEN INTERIOR**

Wood Stone recommends the use of long-handled brushes for sweeping up surface debris that will accumulate on the floor of the oven during use. Use a natural fiber brush, always brushing away from the Radiant Burner well. For deeper cleaning, use a brass bristled brush. The oven floor can be then cleaned with a damp rag wrapped around the brush head.

Wood Stone offers an assortment of oven brushes available through your dealer. Specification sheets may be viewed on the Wood Stone website under Tools & Accessories.

**TAKE CARE NOT TO BRUSH DEBRIS INTO THE RADIANT FLAME BURNER.**

**OVEN EXTERIOR (DOORWAY AND MANTLE)**

All exterior stainless steel surfaces should be cleaned as necessary using an approved mild detergent, hot water and a soft cloth or sponge. Stubborn residues may be removed using a non-metallic scouring pad. When scouring stainless steel surfaces, scrub with the grain of the metal to prevent scratching.

**DO NOT POUR OR SPRAY LIQUIDS ONTO THE OVEN DECK OR INTO THE OVEN INTERIOR  
AS THIS CAN DAMAGE THE CERAMIC AND WILL VOID THE WARRANTY.**

**DO NOT USE EXCESSIVE AMOUNTS OF LIQUID WHEN WIPING  
ON OR AROUND THE OVEN CONTROL BOX.**

**EMPTY THE ASH CHUTE DAILY TO AVOID BLOCKING OR DAMAGING THE COAL BLOWER FAN.  
DAMAGE CAUSED BY IMPROPER MAINTENANCE IS NOT COVERED BY THE OVEN WARRANTY.**

**NOTE: COAL GRATES NEED TO BE REPLACED APPROXIMATELY EVERY 4–6 MONTHS.**

Coal grates are a consumable item—life will vary depending on oven temperature, hours of operation, fuel consumption, and proper use of the coal fan. It is expected that they will require replacement approximately every 4–6 months. Running the coal fan on its lowest setting overnight will help extend the life of the grates. Replacement grates are available from the factory.

**ESTABLISHING A THERMAL CLEANING SCHEDULE****GAS / COAL-FIRED OVEN**

If a Wood Stone gas-fired oven is operated at low temperatures (below 450 °F), it is possible that grease from food could condense on the walls and ceiling of the oven. To remove the grease that has accumulated on the walls and ceiling of the oven, simply raise the temperature of the oven to a temperature of 600–700 °F. Maintain this temperature for 1–2 hours, or until the dome appears clean. Then allow the oven to return to normal operating temperature. Monitor the floor temperature displayed on the Controller.

Ovens that are run at lower temperatures may also develop a buildup on the floor that is usually black in color. To remove this buildup, bring the oven temperature up to 600–700 °F as described above, and maintain that temperature for at least a few hours. If there is still buildup remaining, it may need to be removed by scraping. Contact Wood Stone for instructions.

**DO NOT POUR OR SPRAY LIQUIDS ONTO THE OVEN DECK OR INTO THE OVEN INTERIOR AS THIS CAN DAMAGE THE CERAMIC AND WILL VOID THE WARRANTY.**



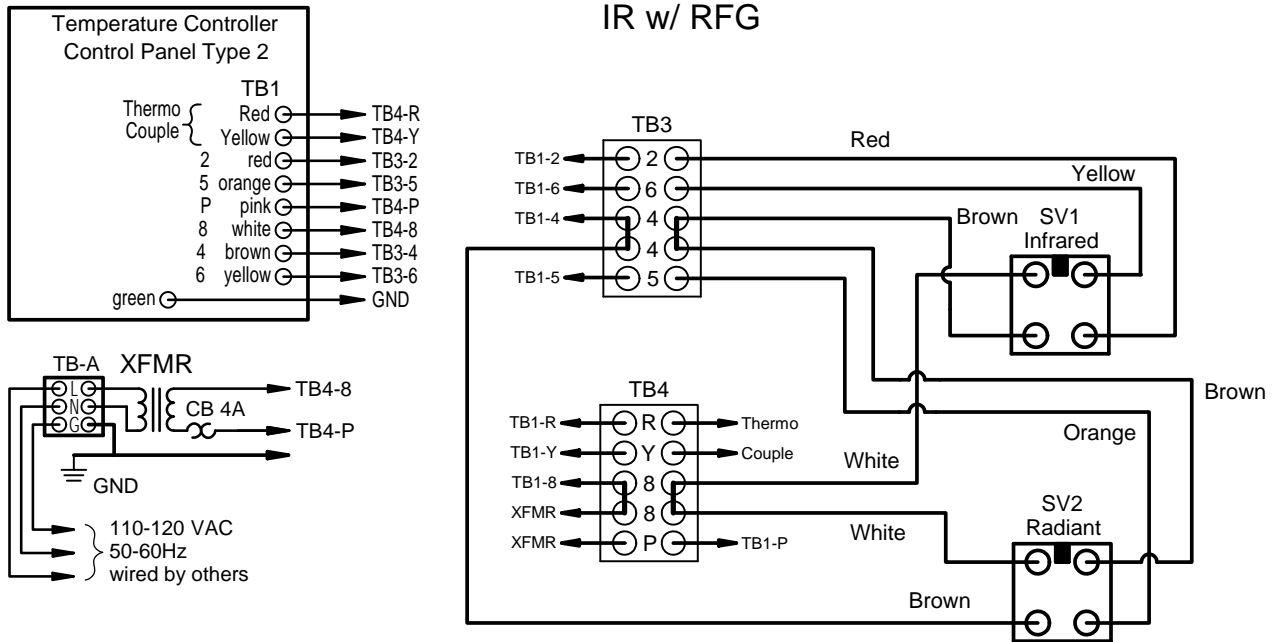
SYMPTOM	PROBABLE CAUSE/SOLUTION
Controller will not turn on.	<ol style="list-style-type: none"> <li>Incoming power to oven turned off. Check circuit breaker for circuit supplying the oven. Check that any wall switches external to the oven that control oven power are turned on. Check that any interlocks external to the oven are turned on.</li> <li>If Controller still does not turn on, please contact Wood Stone for assistance.</li> </ol>
Radiant Flame Burner(s) do not light.	<ol style="list-style-type: none"> <li>Gas not reaching the oven. Check that gas valve is turned all the way on.</li> <li>Debris in burner. Burner may require cleaning. Contact Wood Stone for assistance.</li> <li>Damaged igniter or gas valve. Contact Wood Stone for assistance.</li> </ol> <p>If the oven is being started for the first time:</p> <ul style="list-style-type: none"> <li>- Has all air been bled from the gas line?</li> <li>- Is the switch on the SV-2, and, depending on configuration, SV-3 valve in the ON position?</li> </ul> <p><b>NOTE:</b> Valve(s) are located beneath the oven at the rear, towards the side where the Radiant Burner is located.</p>
Radiant Flame Burner cuts out	<ol style="list-style-type: none"> <li>Debris in burner.</li> <li>Oven is being run with the Night Heat Retention Door in place. Door must be removed whenever the oven is turned on.</li> <li>Wind blowing into the oven, or other venting issue.</li> </ol>
Underfloor Infrared (IR) Burner is not running. Hearth Heat light is off.	Hearth temperature is above the Hearth Set Point.
"Chec" display on Controller.	Underfloor Infrared (IR) Burner did not fire when the floor temperature dropped below the Hearth Set Point. Contact Wood Stone for assistance.
Plenum fan on coal-fired models does not work	<ol style="list-style-type: none"> <li>Make sure the fan is turned ON.</li> <li>Make sure the Ash Chute is empty.</li> </ol>

**Please contact Wood Stone at 1-800-988-8103 should service be necessary, or if you have any questions about your oven.** Our normal service hours are Mon.–Fri., 8am–5pm Pacific time. If calling after hours, follow the recorded instructions for emergency service and a Wood Stone technician will get back to you promptly.



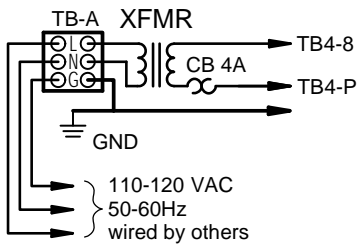
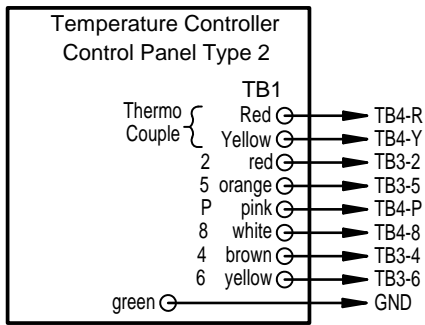


**FD-9660, FD-11260 120 VAC MODEL  
RFG-(L or R)-IR  
TYPE 2 CONTROLLER**

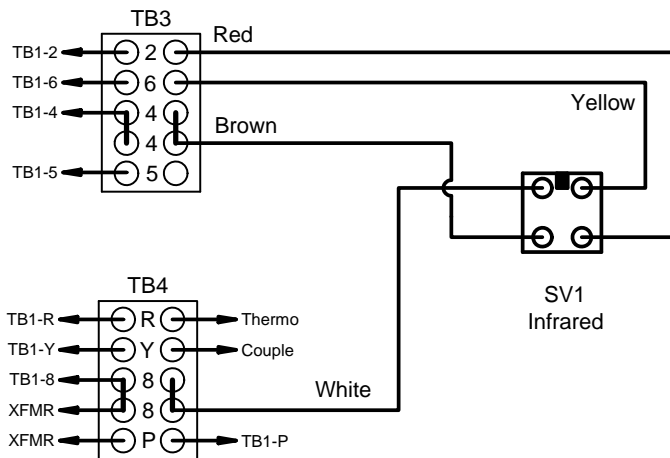




**FD-9660, FD-11260 120 VAC MODEL  
IR ONLY  
TYPE 2 CONTROLLER**

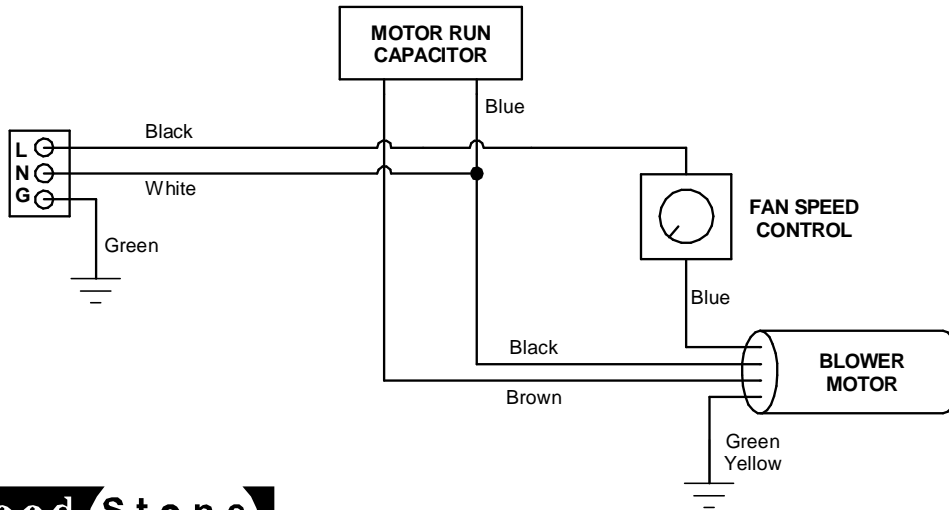


**IR Only (W-IR)**





### ELECTRICAL DIAGRAM FOR COAL-FIRED OVEN BLOWER FAN



Bellingham, WA +1(360)650-1111 [www.woodstone-corp.com](http://www.woodstone-corp.com)

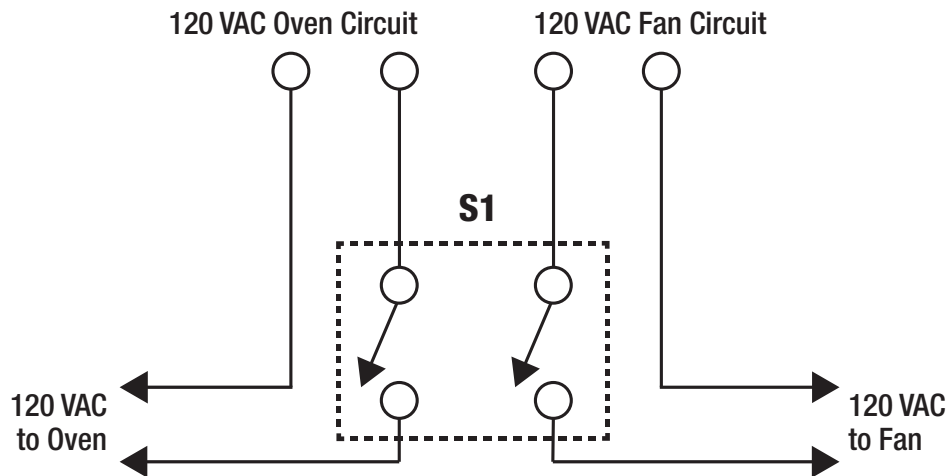
**DIAG #:** WD155 Rev. 0  
**DATE:** 11/9/2015



### INTERLOCK OF OVEN CONTROL TO AN EXHAUST FAN

This connection is intended to interrupt power to the oven until the fan is turned on.

Wired by others



S1 is a Double Pole, Single Throw (DPST) switch provided by others.

S1 is a double pole, single throw switch (provided by others) that interrupts in-coming power to both the oven and the fan. The intent is to prevent the operation of the oven's gas burner in the event the fan is shut off.

Any interruption of the power to the oven will cause the oven (including all burners and pilots) to shut off, and it will be necessary to restart the oven by pressing the start switch once power is restored.

For additional interlock options, see the Wood Stone Interlock Options supplement in the Manuals section on the website, [woodstone-corp.com](http://woodstone-corp.com), or contact Wood Stone for additional information.

Blank page

Blank page



### ALL WARRANTY SERVICE MUST BE PRE-APPROVED BY WOOD STONE

Wood Stone warrants its equipment to the original purchaser against defects in material or manufacture for a period of one year from the original date of purchase, subject to the following exclusions and limitations.

Please contact the factory first at 1.800.988.8103 or 1.360.650.1111, seven days a week. Our normal business hours are 8am to 5pm Pacific time Monday–Friday. If calling during non-business hours, follow the recorded instructions for emergency service and a Wood Stone technician will get back to you promptly.

#### EXCLUSIONS

The warranties provided by Wood Stone do not apply in the following instances:

1. In the event that the equipment is improperly installed. Proper installation is the responsibility of the installer; proper installation procedures are prescribed by the Wood Stone Installation and Operation Manual.
2. In the event the equipment is improperly or inadequately maintained. Proper maintenance is the responsibility of the user; proper maintenance procedures are prescribed in the Wood Stone Installation and Operation Manual. Burner problems resulting from debris or ash in the burner well will not be covered by the warranty. Call with questions regarding maintenance frequency.
3. In the event that the failure or malfunction of the appliance or any part thereof is caused by abnormal or improper use or is otherwise not attributable to defect in material or manufacture.
4. In the event that the appliance, by whatever cause, has been materially altered from the condition in which it left the factory.
5. In the event that the rating plate has been removed, altered or obliterated.
6. On parts that would be normally worn or replaced under normal conditions.
7. Normal cracking due to expansion and contraction stress relief in the ceramic firebox.
8. In wood-fired equipment configurations, in the event that pressed log products of any type have been burned in the equipment.
9. In coal-fired oven configurations, in the event any type of coal other than anthracite coal fuel has been used.
10. Damage resulting from the use of chemical cleaning products in the oven, as well as any damage from liquids or chemicals, including water, being poured or sprayed into the oven.

If any oral statements have been made regarding this appliance, such statements do not constitute warranties and are not part of the contract of sale. This Limited Warranty constitutes the complete, final and exclusive statement with regard to warranties.

**THIS LIMITED WARRANTY IS EXCLUSIVE AND IN LIEU OF ALL OTHER WARRANTIES WHETHER WRITTEN, ORAL OR IMPLIED, INCLUDING, BUT NOT LIMITED TO, ANY WARRANTY OF MERCHANTABILITY OR FITNESS FOR PARTICULAR PURPOSE OR WARRANTY AGAINST LATENT DEFECTS.**

#### LIMITATIONS OF LIABILITY

In the event of warranty claim or otherwise, the sole obligation of Wood Stone shall be the repair and/or replacement, at the option of Wood Stone, of the appliance or component or part thereof. Such repair or replacement shall be at the expense of Wood Stone with the exception of travel over 100 miles or two hours, overtime, and holiday charges which shall be at the expense of the purchaser. Any repair or replacement under this warranty does not constitute an extension of the original warranty for any period of the appliance or for any component or part thereof. Parts to be replaced under this warranty will be repaired or replaced at the option of Wood Stone with new or functionally operative parts. The liability of Wood Stone on any claim of any kind, including claims based on warranty, expressed or implied, contract, negligence, strict liability or any other theories shall be solely and exclusively the repair or replacement of the product as stated herein, and such liability shall not include, and purchaser specifically renounces any rights to recover, special, incidental, consequential or other damages of any kind whatsoever, including, but not limited to, injuries to persons or damage to property, loss of profits or anticipated profits, or loss of use of the product.

#### TO SECURE WARRANTY SERVICE

If you claim a defect covered by this Limited Warranty, contact:

Wood Stone Corporation, Attn: Service Department, 1801 W. Bakerview Rd., Bellingham, WA 98226 USA  
Phone 1.800.988.8103 or 1.360.650.1111



**WOOD STONE CORPORATION**

1801 W. Bakerview Rd.  
Bellingham, WA 98226 USA

Toll Free 800.988.8103

Tel 360.650.1111

Fax 360.650.1166

[www.woodstone-corp.com](http://www.woodstone-corp.com)

An ongoing program of product improvement may require us to change specifications without notice.